

- |                                    |                                      |
|------------------------------------|--------------------------------------|
| <b>D</b> Gebrauchsanweisung        | <b>GB</b> Instructions for use       |
| <b>NL</b> Gebruiksrichtlijnen      | <b>FR</b> Instructions d'utilisation |
| <b>IT</b> Istruzioni per l'uso     | <b>PL</b> Instrukcja obsługi         |
| <b>CZ</b> Pokyny k použití         | <b>ES</b> Instrucciones de empleo    |
| <b>HU</b> Használati útmutató      | <b>RO</b> Instrucțiuni de folosire   |
| <b>PT</b> Instruções de utilização | <b>RU</b> Инструкция по монтажу      |
| <b>SK</b> Pokyny k použitiu        | <b>TR</b> Kullanım talimatları       |

Please check that you have all the parts listed before you start assembling, if you do find that something is missing, do not continue assembly, please contact us immediately.

NOTE: Please do not completely tighten all the hardware until the entire assembly is complete!

Bitte überprüfen Sie, ob alle Teile mitgeliefert sind, bevor Sie mit der Montage beginnen.

Wenn Sie festlegen, dass etwas fehlt, setzen Sie die Montage nicht fort. Bitte kontaktieren Sie uns sofort.

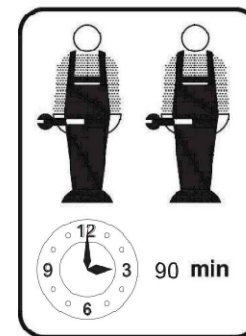
Achtung : Bitte ziehen Sie nicht alle Schrauben fest, bevor die Montage abgeschlossen ist !

This set will be shipped by 2 boxes and they may arrive on different days. If both packages arrived but parts missing, please contact customer service.

Dieses Set ist in 2 Boxen enthalten. Wenn Sie keine vollen 2 Boxen erhalten, wenden Sie sich bitte an unseren Kundenservice

N601P415249 / N601P415250  
N601P415247 / N601P415248

135\*190CM/150\*200CM



Points de collecte sur [www.quefairedemesdechets.fr](http://www.quefairedemesdechets.fr)  
Privilégiez la réparation ou le don de votre appareil !



## English

### IMPORTANT FOR GAS LIFT BEDS&MAINTAINANCE

- Please place the mattress on top of the bed frame.
- Please do not pull on the strap handles.
- Please press heavily to release the compressed gas.
- Periodically check all screw & fixings to ensure they are secure.
- When moving your product, carefully lift into place.
- Wipe clean with a slightly damp cloth- please do not use abrasive chemicals or bleach.
- Do NOT allow children to operate the lift mechanism.
- Do NOT allow children near the lift base when operating the mechanism.
- Do NOT stand inside the bed or the internal storage base.
- Do NOT overload the internal storage base.
- DO NOT jump on the product or any of its parts.

## Deutsch

### WICHTIG FÜR GASLIFT-BETTEN&WARTUNG

- Bitte legen Sie die Matratze oben auf den Bettrahmen.
- Bitte ziehen Sie nicht an den Gurtgriffen.
- Bitte drücken Sie kräftig, um das komprimierte Gas freizusetzen.
- Überprüfen Sie regelmäßig alle Schrauben und Befestigungen, um sicherzustellen, dass sie sicher sind.
- Wenn Sie Ihr Produkt bewegen, heben Sie es vorsichtig an seinen Platz.
- Mit einem leicht feuchten Tuch abwischen - bitte keine scheuernden Chemikalien oder Bleichmittel verwenden.
- Erlauben Sie Kindern NICHT, den Hebemechanismus zu bedienen.
- Lassen Sie Kinder NICHT in die Nähe des Liftsockels, wenn Sie den Mechanismus bedienen.
- Stellen Sie sich NICHT in das Bett oder in die Innenablage.
- Überlasten Sie den internen Liftsockel NICHT.
- Springen Sie NICHT auf das Produkt oder eines seiner Teile.

## Français

### IMPORTANT POUR LES LITS À RELEVAGE DE GAZ&MAINTENANCE

- Veuillez placer le matelas sur le dessus du cadre de lit.
- Ne tirez pas sur les poignées de la sangle.
- Appuyez fortement pour libérer le gaz comprimé.
- Vérifiez régulièrement que toutes les vis et fixations sont bien en place.
- Lorsque vous déplacez votre produit, soulevez-le avec précaution pour le mettre en place.
- Nettoyez avec un chiffon légèrement humide - n'utilisez pas de produits chimiques abrasifs ou d'eau de Javel.
- Ne laissez pas les enfants utiliser le mécanisme de levage.
- Ne laissez pas les enfants s'approcher de la base de levage lorsqu'ils actionnent le mécanisme.
- Ne vous tenez PAS à l'intérieur du lit ou de la base de stockage interne.
- Ne surchargez pas la base de stockage interne.
- Ne pas sauter sur le produit ou l'une de ses parties.

**Italiano**

**IMPORTANTE PER I LETTI CON SOLLEVAMENTO A GAS E LA MANUTENZIONE**

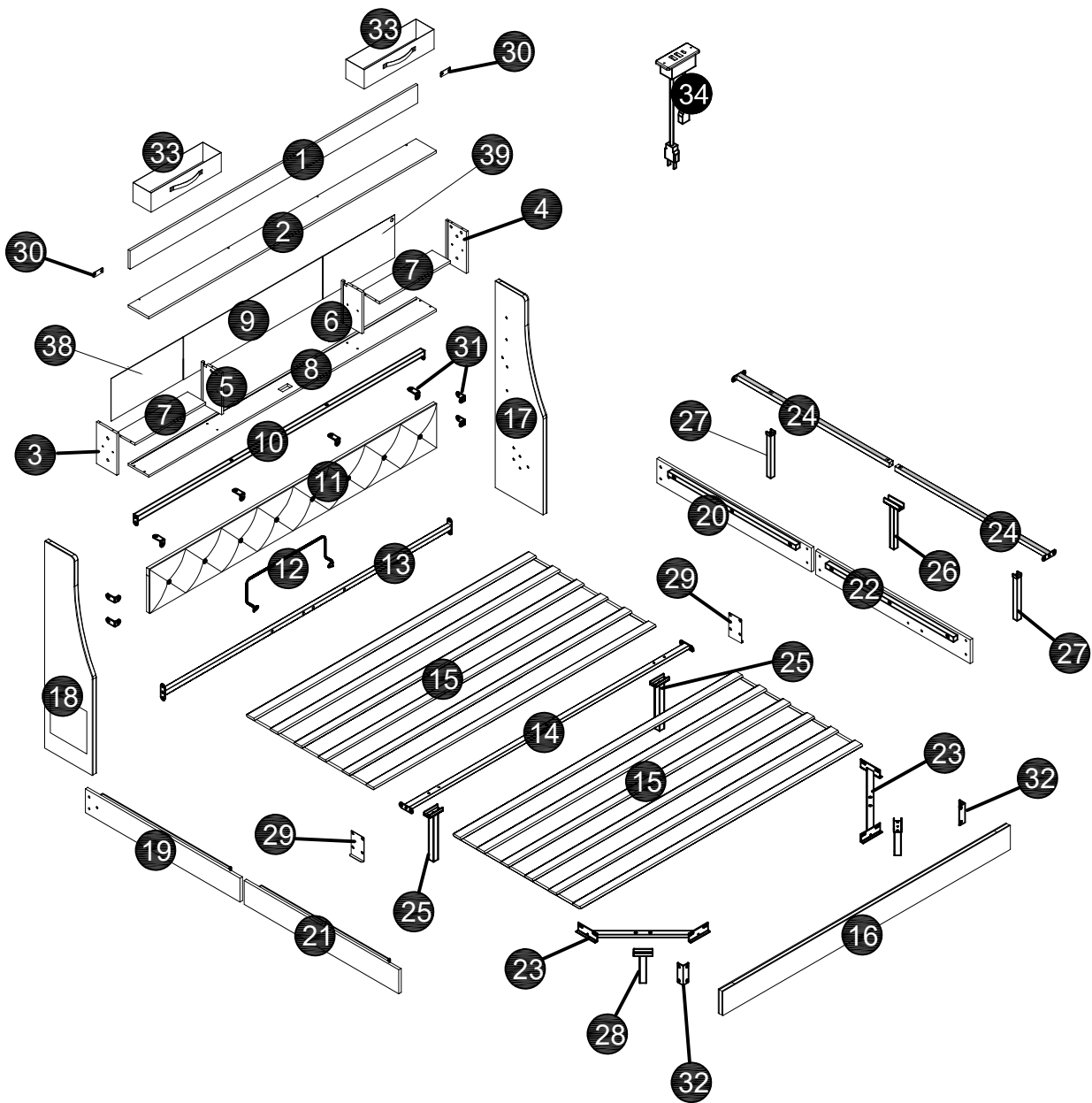
- Posizionare il materasso sopra la struttura del letto.
- Non tirare le maniglie della cinghia.
- Premere con forza per rilasciare il gas compresso.
- Controllare periodicamente tutte le viti e i fissaggi per assicurarsi che siano saldi.
- Quando si sposta il prodotto, sollevarlo con cautela.
- Pulire con un panno leggermente umido, senza usare prodotti chimici abrasivi o candeggina.
- NON permettere ai bambini di azionare il meccanismo di sollevamento.
- NON permettere ai bambini di avvicinarsi alla base di sollevamento quando si aziona il meccanismo.
- NON sostare all'interno del letto o della base di contenimento interna.
- NON sovraccaricare la base di contenimento interna.
- NON saltare sul prodotto o sulle sue parti.

**Español**

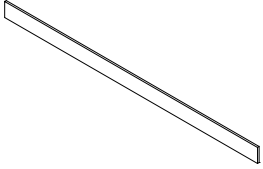
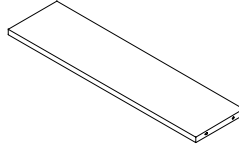
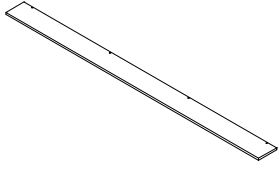
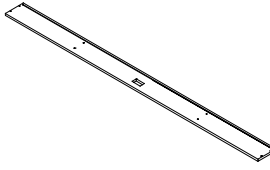
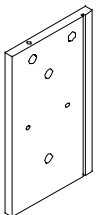
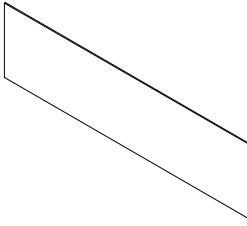
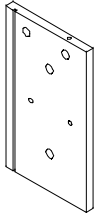
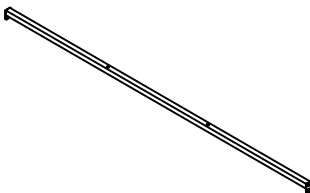
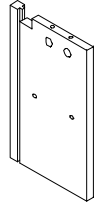
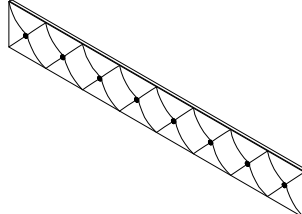
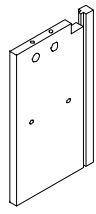
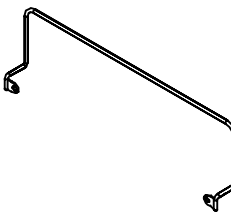
**IMPORTANTE PARA LAS CAMAS ELEVADORAS DE GAS&MANTENIMIENTO**

- Coloque el colchón sobre el somier.
- No tire de las asas de la correa.
- Presione con fuerza para liberar el gas comprimido.
- Compruebe periódicamente que todos los tornillos y fijaciones estén bien sujetos.
- Al mover el producto, levántelo con cuidado para colocarlo en su sitio.
- Limpie con un paño ligeramente humedecido; no utilice productos químicos abrasivos ni lejía.
- NO permita que los niños accionen el mecanismo de elevación.
- NO permita que los niños se acerquen a la base elevadora cuando accionen el mecanismo.
- NO se ponga de pie dentro de la cama o de la base de almacenamiento interna.
- NO sobrecargue el somier.
- NO salte sobre el producto ni sobre ninguna de sus piezas.

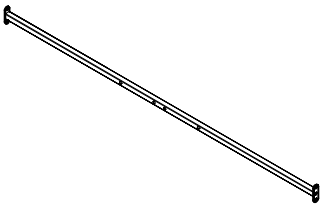
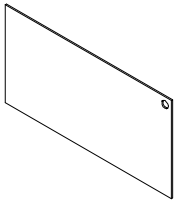
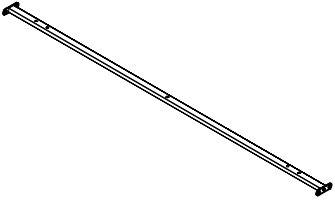
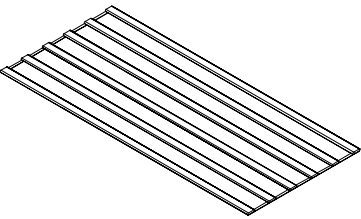
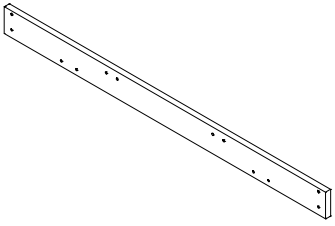

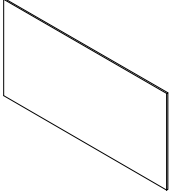





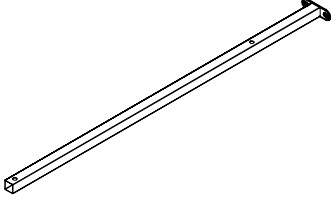
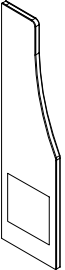
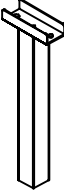
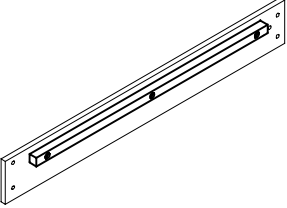
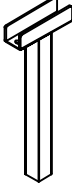
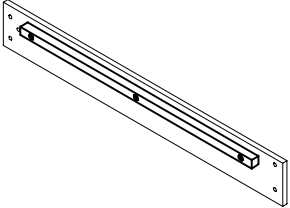

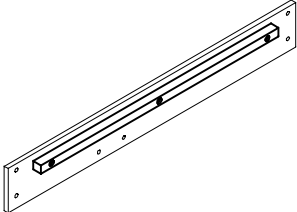
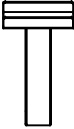
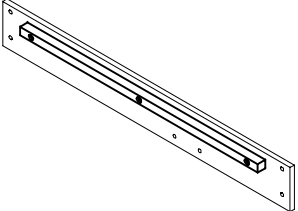
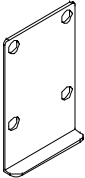
N601P415247/N601P415249

<p>1</p>		<p>X1</p>	<p>7</p>		<p>X2</p>
<p>2</p>		<p>X1</p>	<p>8</p>		<p>X1</p>
<p>3</p>		<p>X1</p>	<p>9</p>		<p>X1</p>
<p>4</p>		<p>X1</p>	<p>10</p>		<p>X1</p>
<p>5</p>		<p>X1</p>	<p>11</p>		<p>X1</p>
<p>6</p>		<p>X1</p>	<p>12</p>		<p>X1</p>

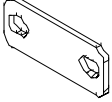
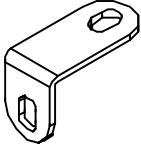
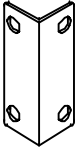
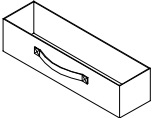
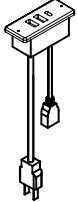
N601P415247/N601P415249

<p><b>13</b></p>		<p>X1</p>	<p><b>39</b></p>		<p>X1</p>
<p><b>14</b></p>		<p>X1</p>			
<p><b>15</b></p>		<p>X2</p>			
<p><b>16</b></p>		<p>X1</p>			
<p><b>23</b></p>		<p>X2</p>			
<p><b>38</b></p>		<p>X1</p>			

N601P415248/N601P415250

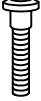









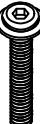



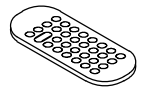
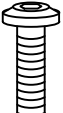


17		X1	24		X2
18		X1	25		X2
19		X1	26		X1
20		X1	27		X2
21		X1	28		X2
22		X1	29		X2

N601P415248/N601P415250

30		X2			
31		X8			
32		X2			
33		X2			
34		X1			


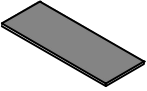
# Hardware List-Hardware-Liste-Liste du matériel

N601P415248/N601P415250

<b>A</b>	 M5*35	X20+2	<b>J</b>	 M8*15	X48+2	<b>N</b>	 M8	X1
<b>B</b>	 M3*12	X2+1	<b>K</b>	 M8*30	X10+1	<b>O</b>	 X1	X1
<b>C</b>	 X8+1	X8+1	<b>L</b>	 M8*35	X12+1	<b>U</b>	 Short light strip	X1
<b>D</b>	 X8+1	X8+1	<b>P</b>	 M8*55	X1	<b>V</b>	 Long light strip	X2
<b>E</b>	 M6*12	X8+1	<b>R</b>	 M5	X1	<b>T</b>	 Remote controle	X1
<b>H</b>	 M6*35	X2+1	<b>M</b>	 M6	X1	<b>S</b>	 Power cord	X+1

# Hardware List-Hardware-Liste-Liste du matériel

N601P415248/N601P415250

	 Magic tape	X3							

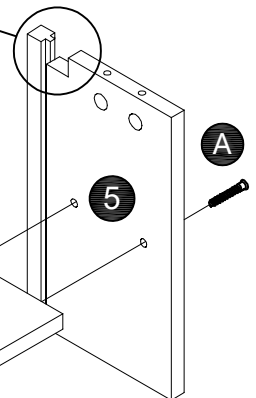
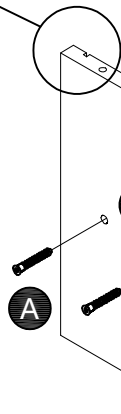
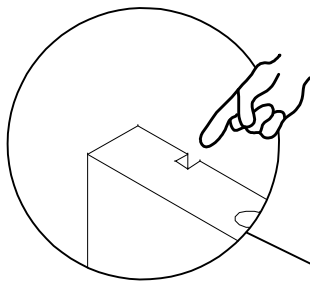
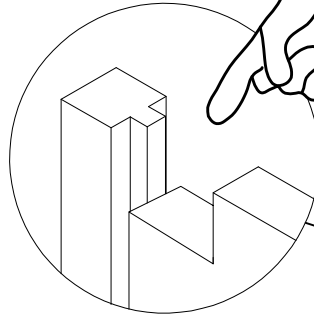
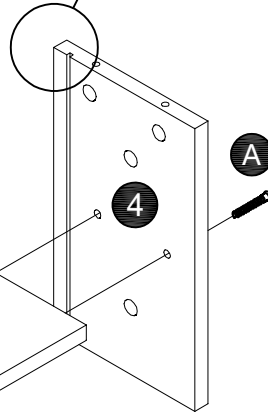
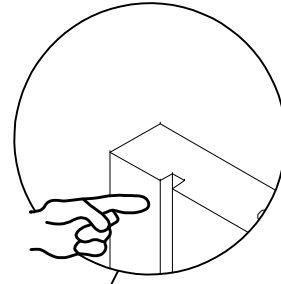
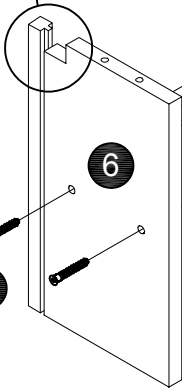
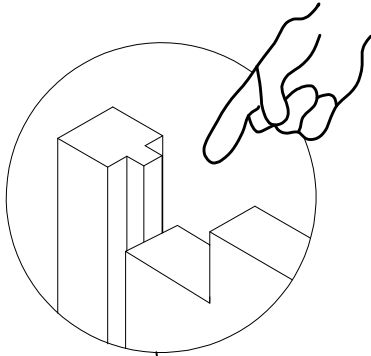
# 1



M5\*35  
AX8pcs



M5  
RX1pc



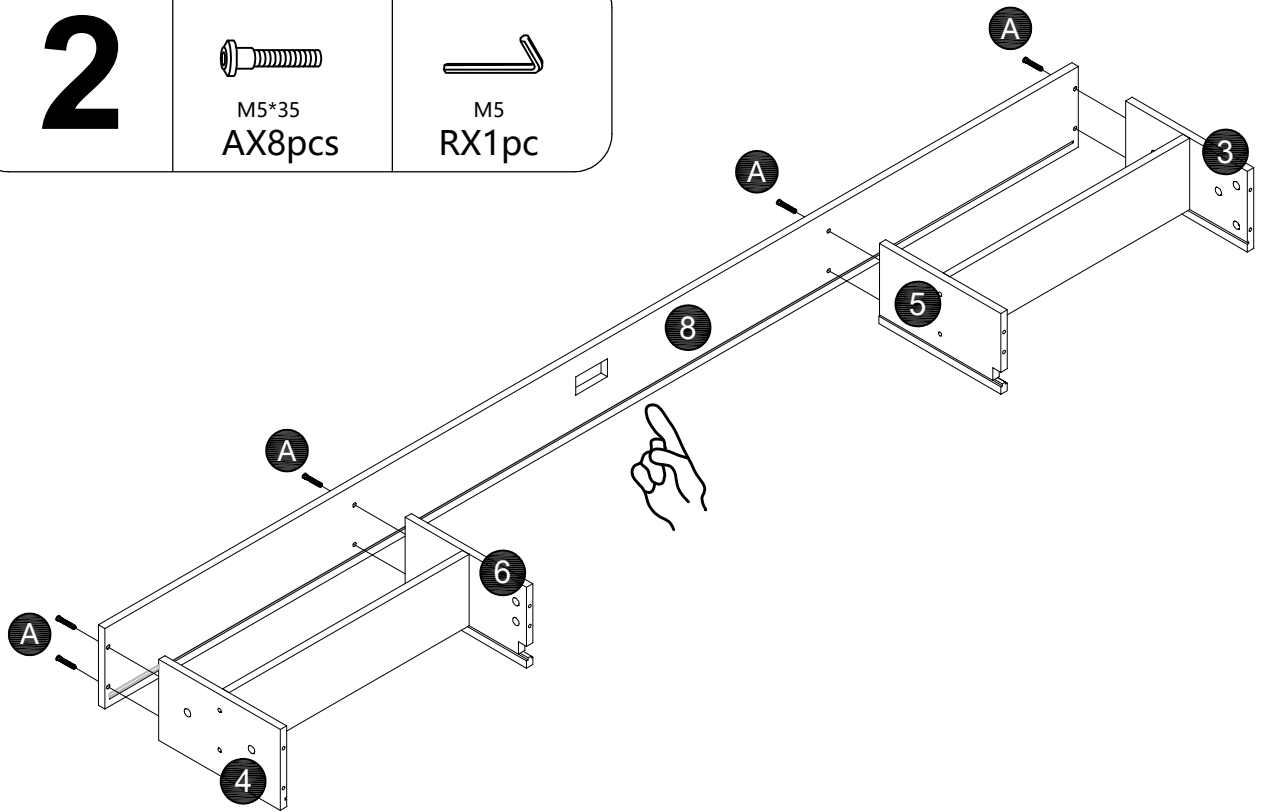
# 2



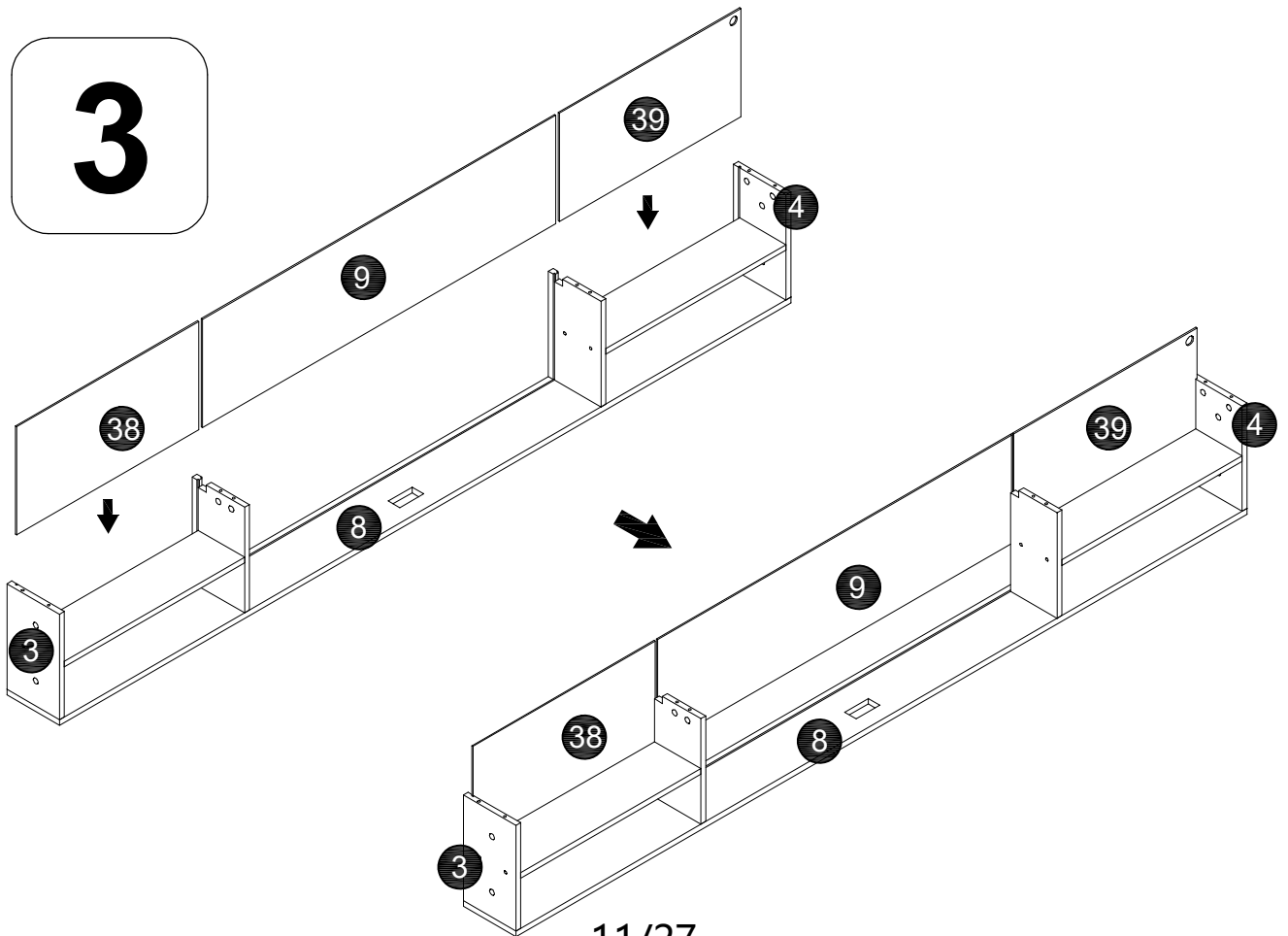
M5\*35  
AX8pcs



M5  
RX1pc



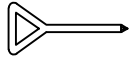
# 3



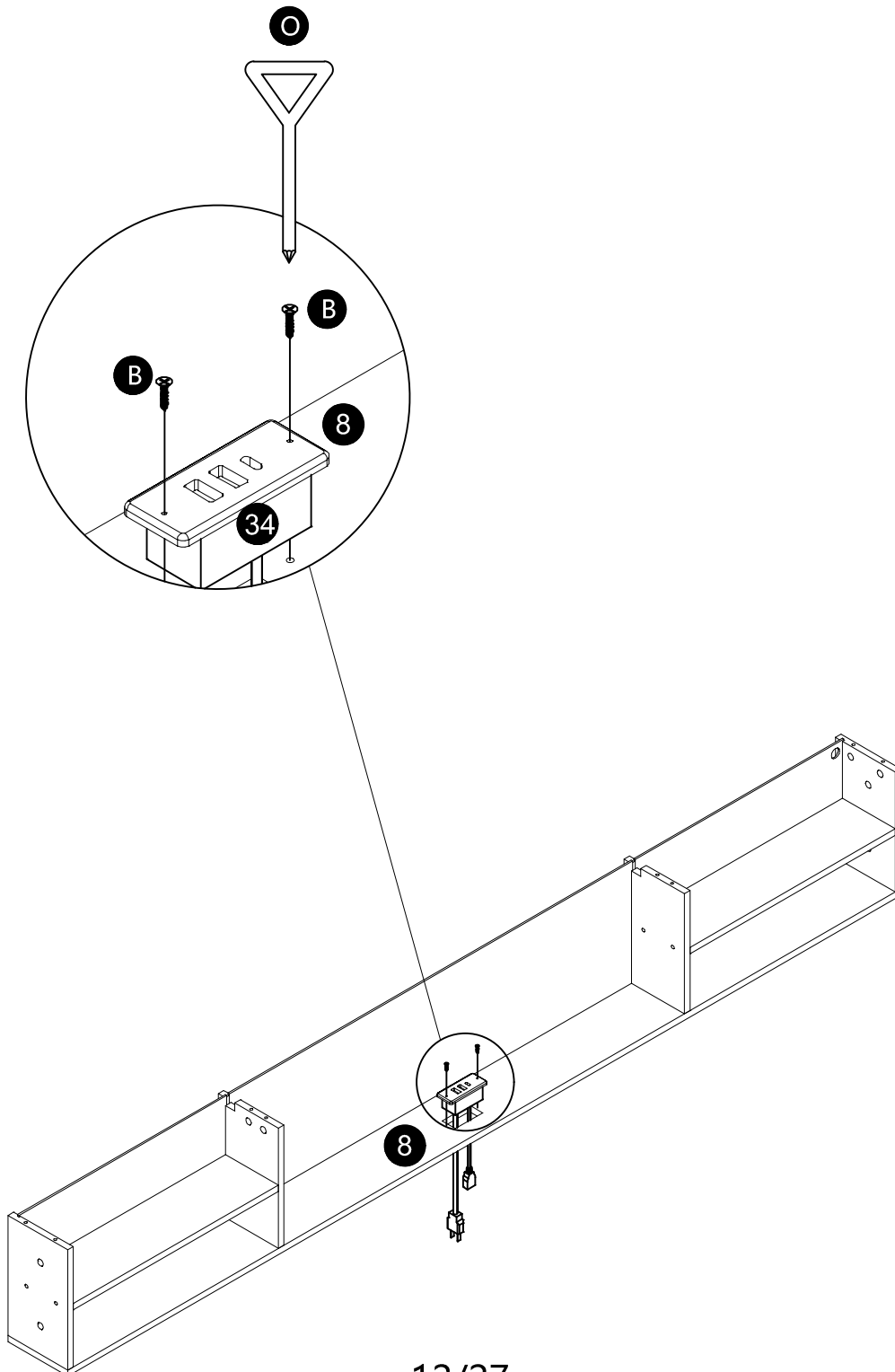
4



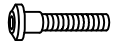
M3\*12  
BX2pcs



OX1pc



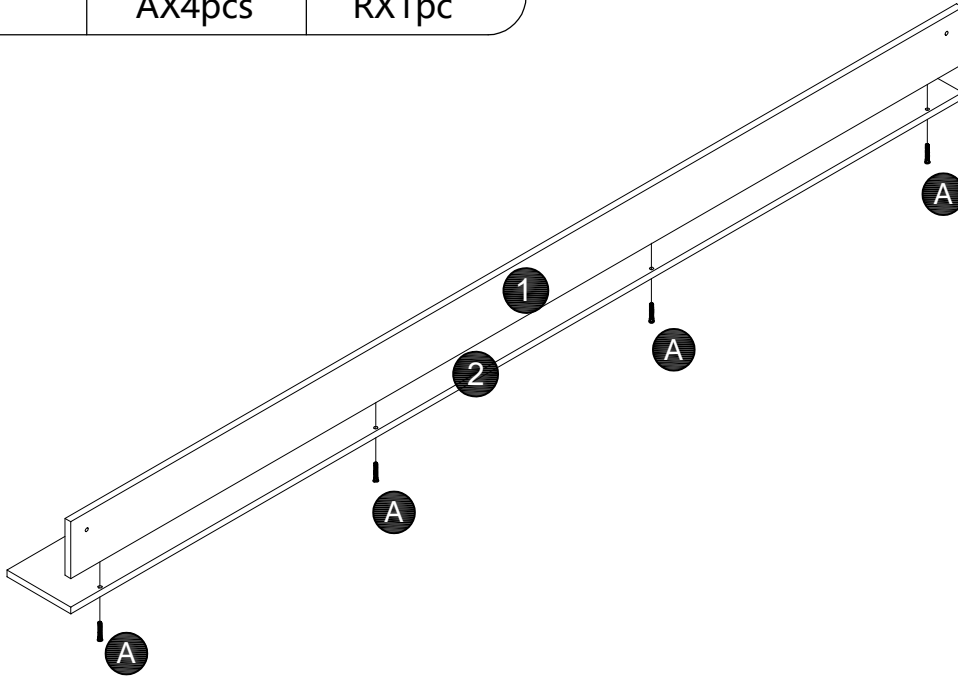
# 5



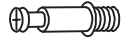
M5\*35  
AX4pcs



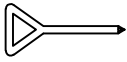
M5  
RX1pc



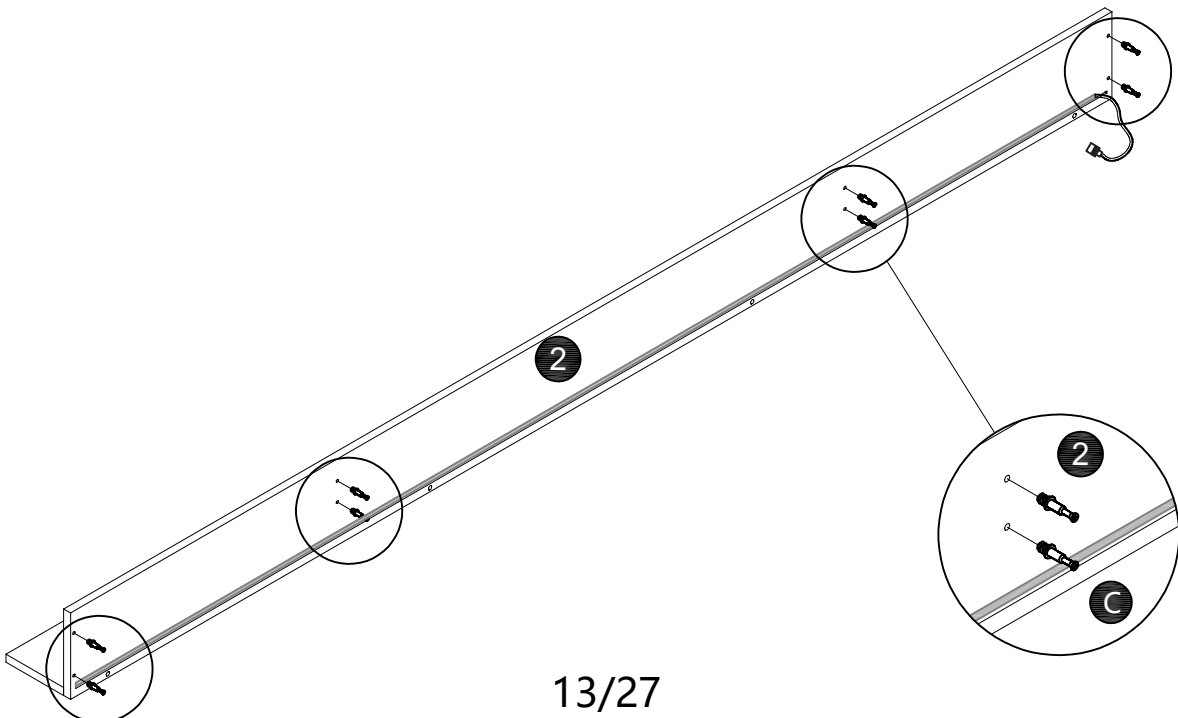
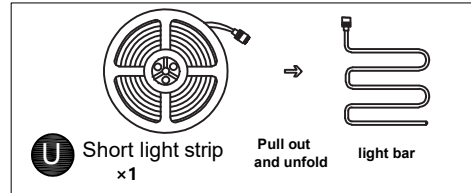
# 6



CX8pcs



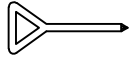
OX1pc



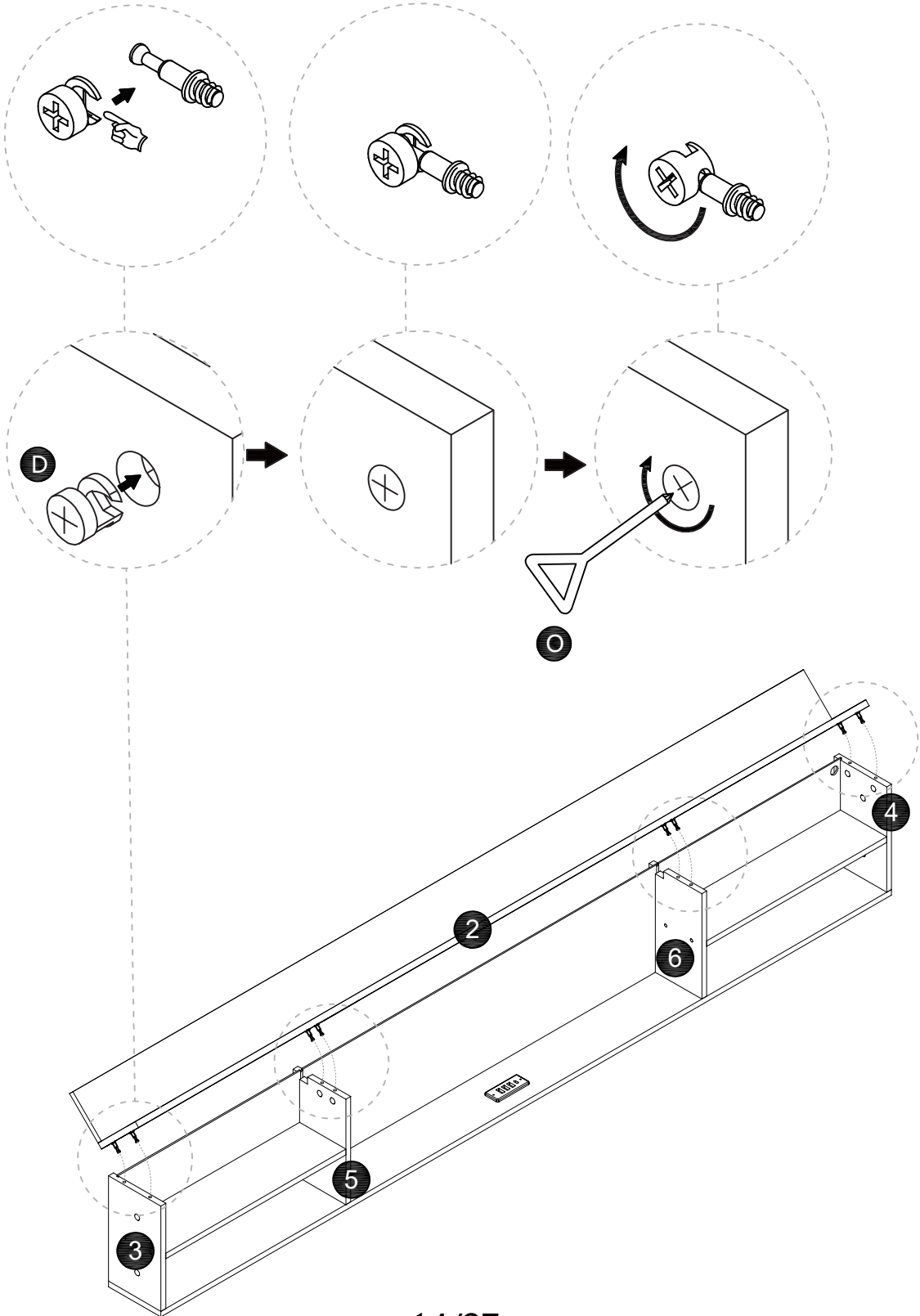
# 7



DX8pcs



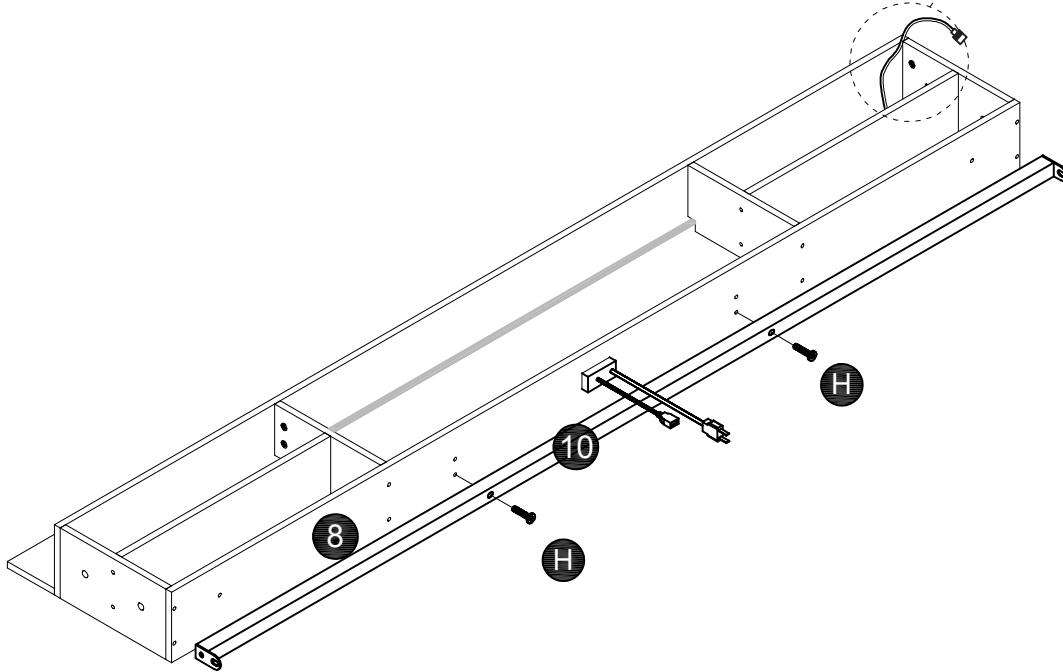
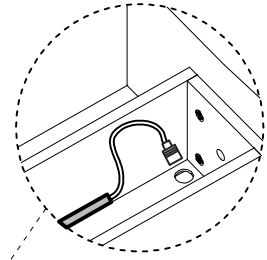
OX1pc



# 8

M6\*35  
HX2pcs

M6  
MX1pc

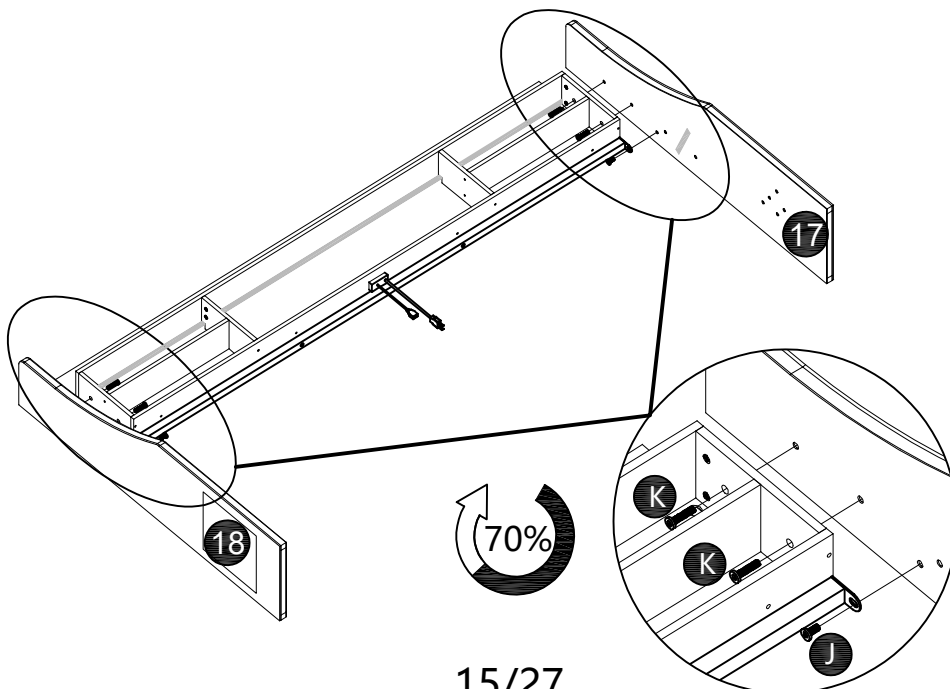


# 9

M8\*30  
KX4pcs

M8\*15  
JX2pcs

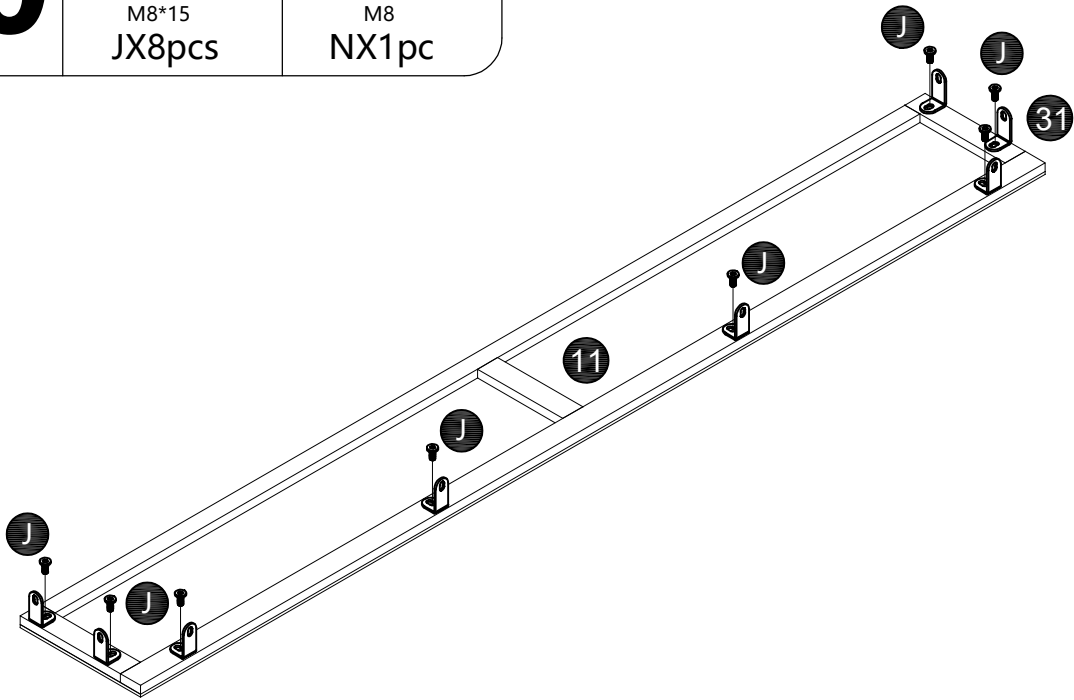
M8  
NX1pc



# 10

M8\*15  
JX8pcs

M8  
NX1pc



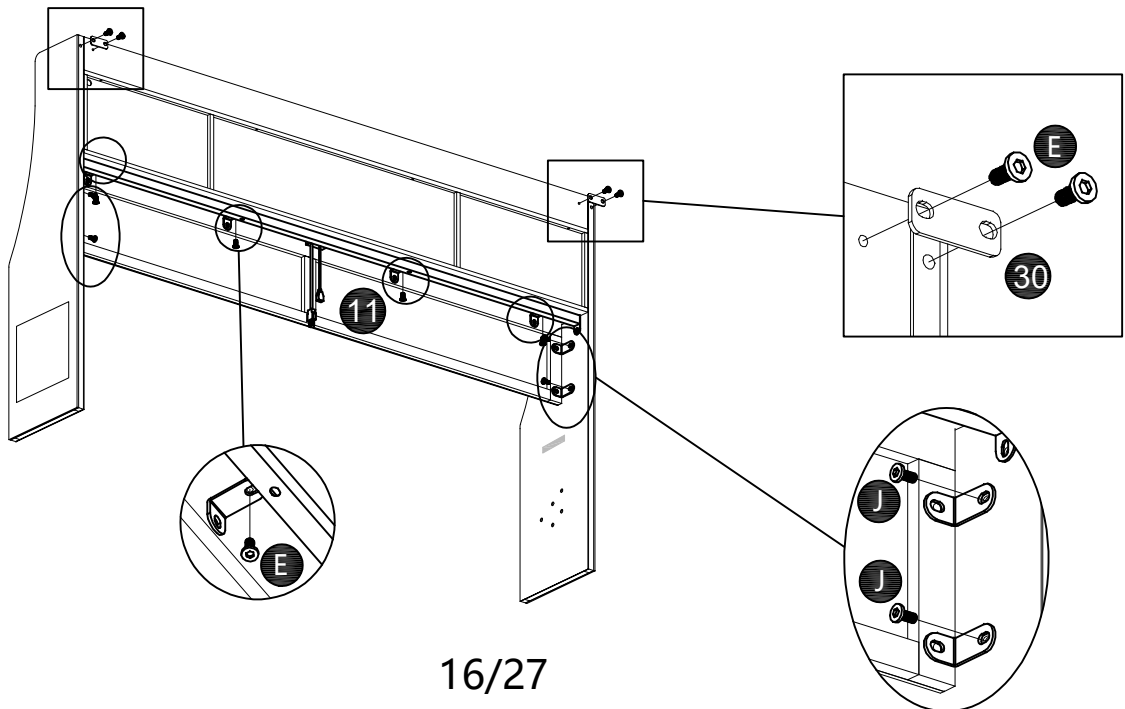
# 11

M6\*12  
EX8pcs

M8\*15  
JX4pcs

M8  
NX1pc

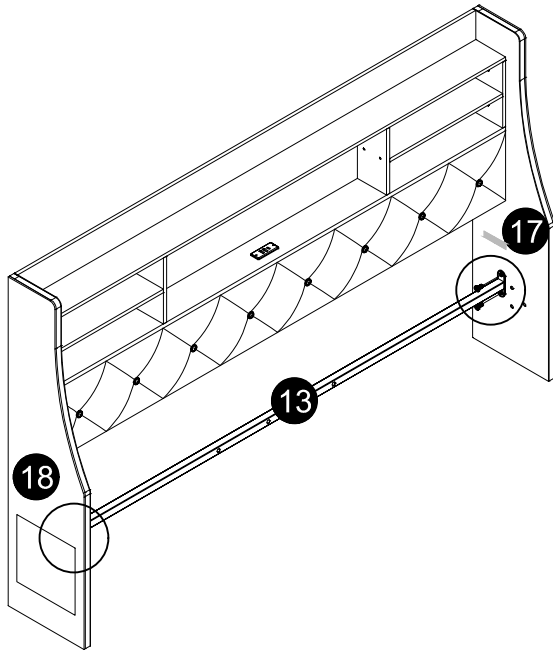
M6  
MX1pc



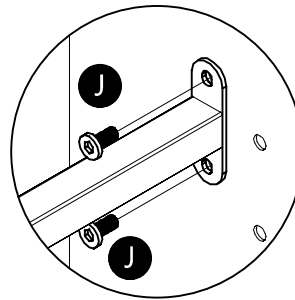
# 12

M8\*15  
JX4pcs

M8  
NX1pc



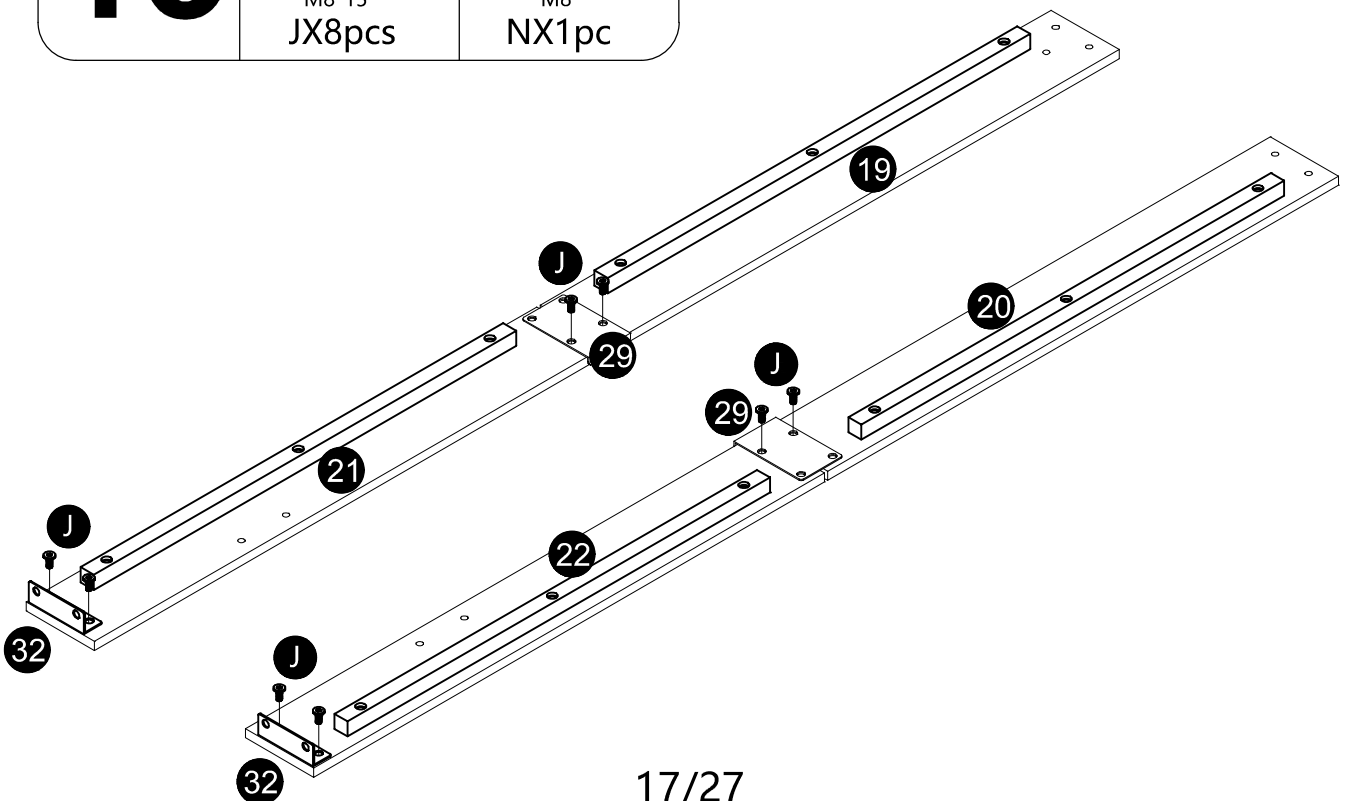
\*After completing this step, fully tighten the screws in step 9\*  
\*Nach Abschluss dieses Schritts die Schrauben aus Schritt 9 vollständig anziehen.\*  
\*Après avoir terminé cette étape, serrez complètement les vis de l'étape 9.\*  
\*Después de completar este paso, apriete completamente los tornillos del paso 9.\*  
\*Dopo aver completato questo passaggio, serrare completamente le viti del passaggio 9.\*



# 13

M8\*15  
JX8pcs

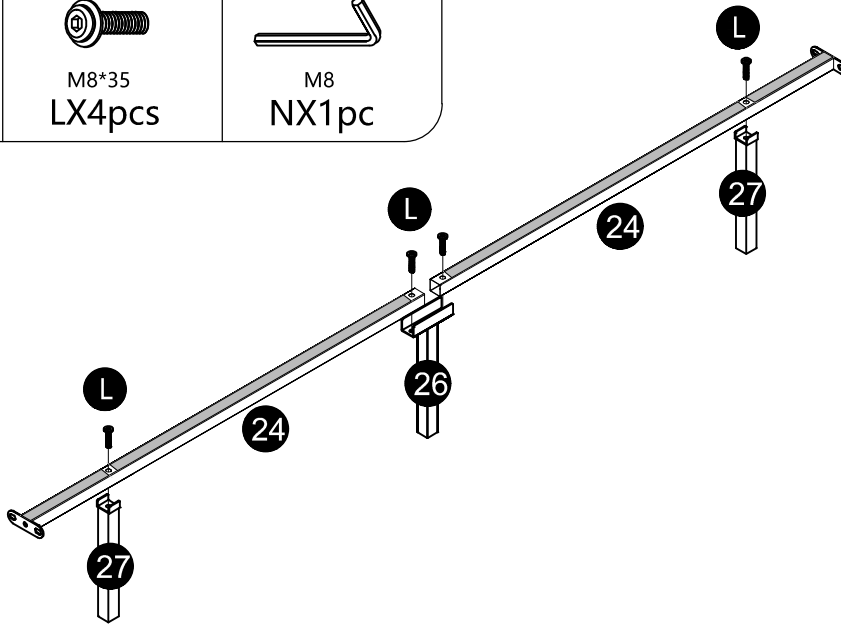
M8  
NX1pc



# 14

M8\*35  
LX4pcs

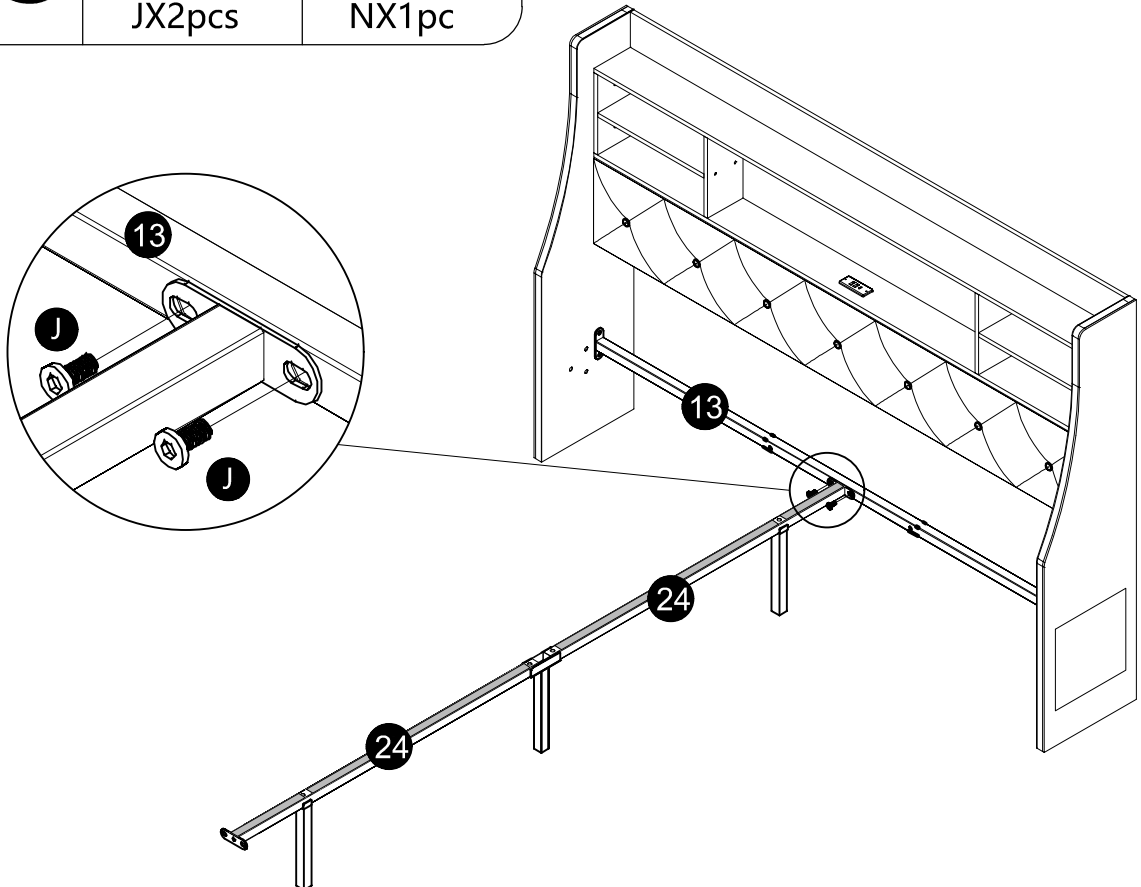
M8  
NX1pc



# 15

M8\*15  
JX2pcs

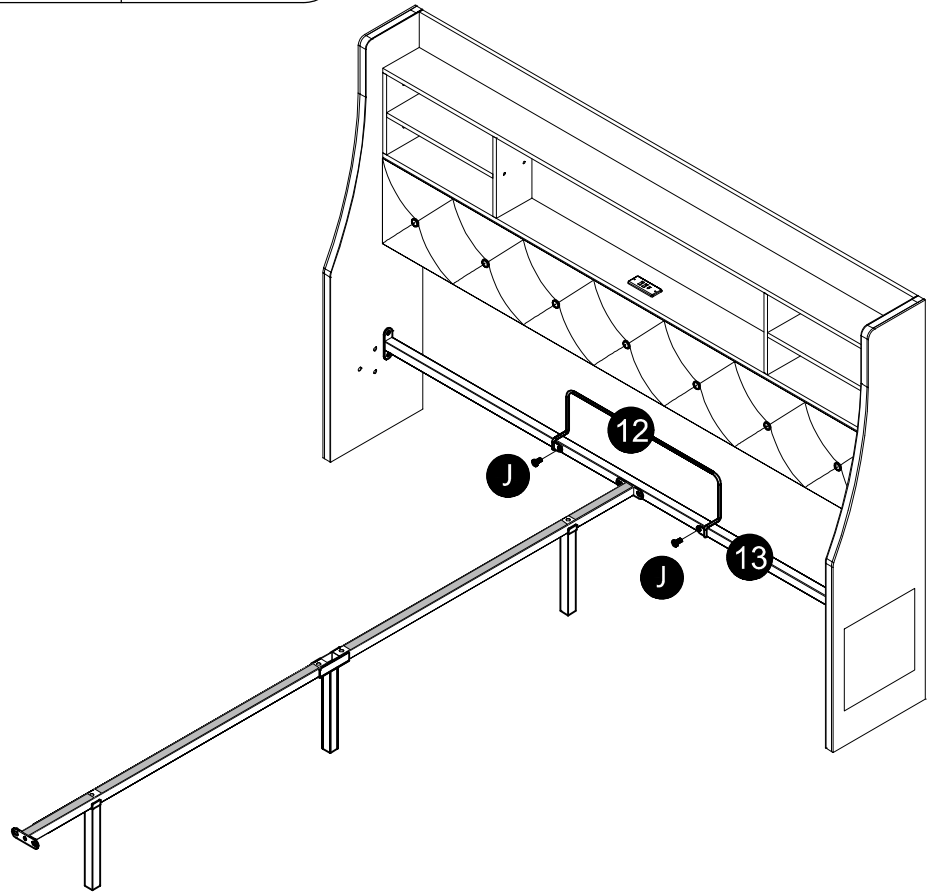
M8  
NX1pc



# 16

M8\*15  
JX2pcs

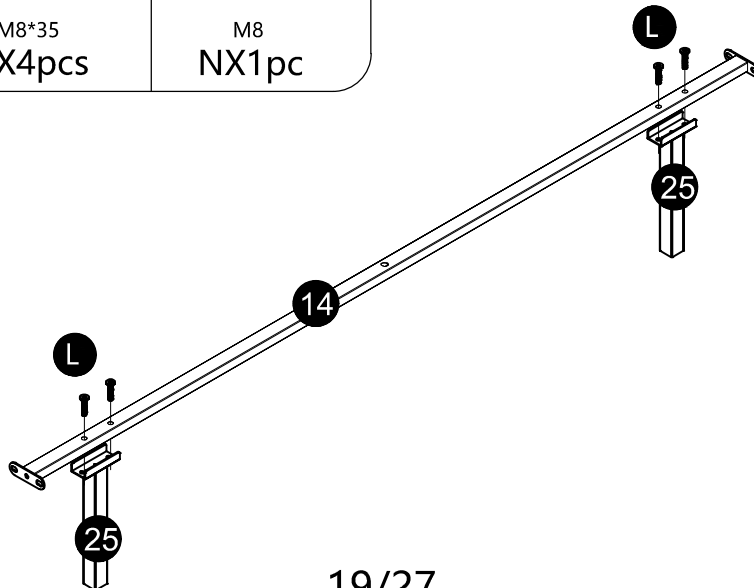
M8  
NX1pc



# 17

M8\*35  
LX4pcs

M8  
NX1pc



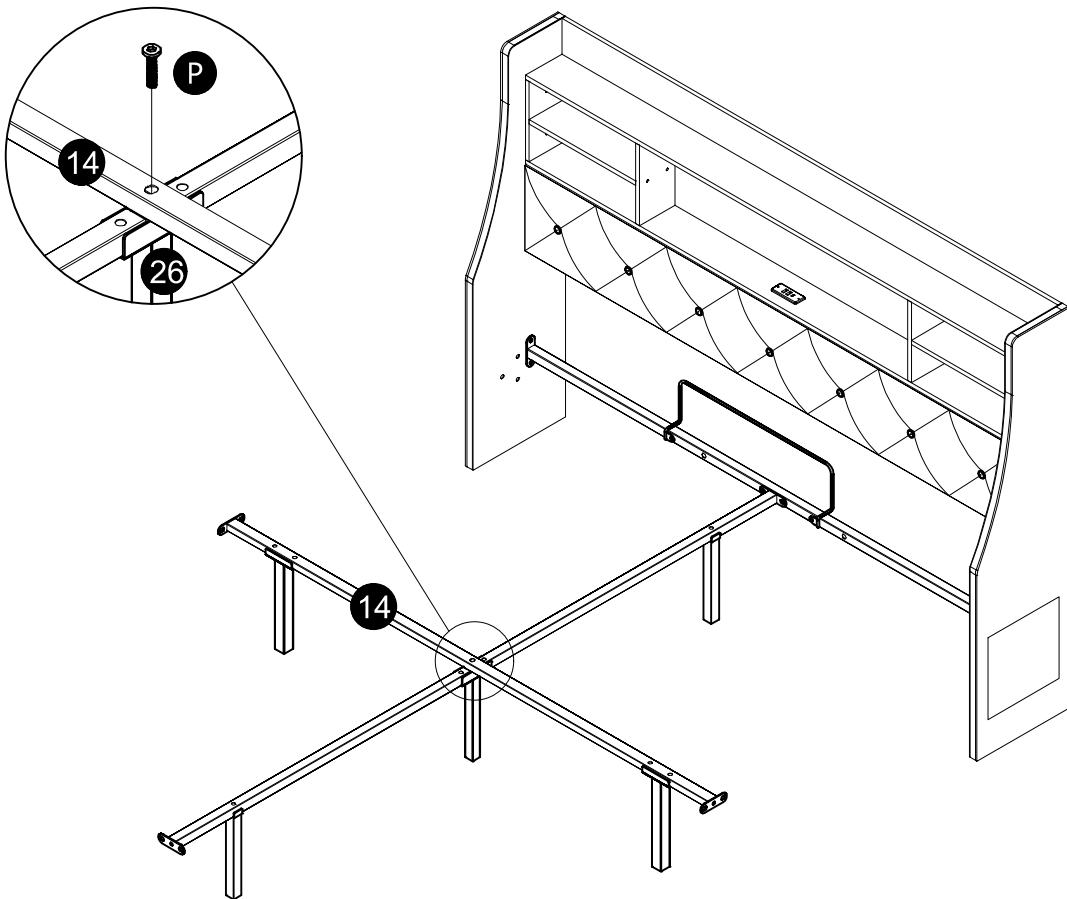
# 18



M8\*55  
PX1pcs



M8  
NX1pc

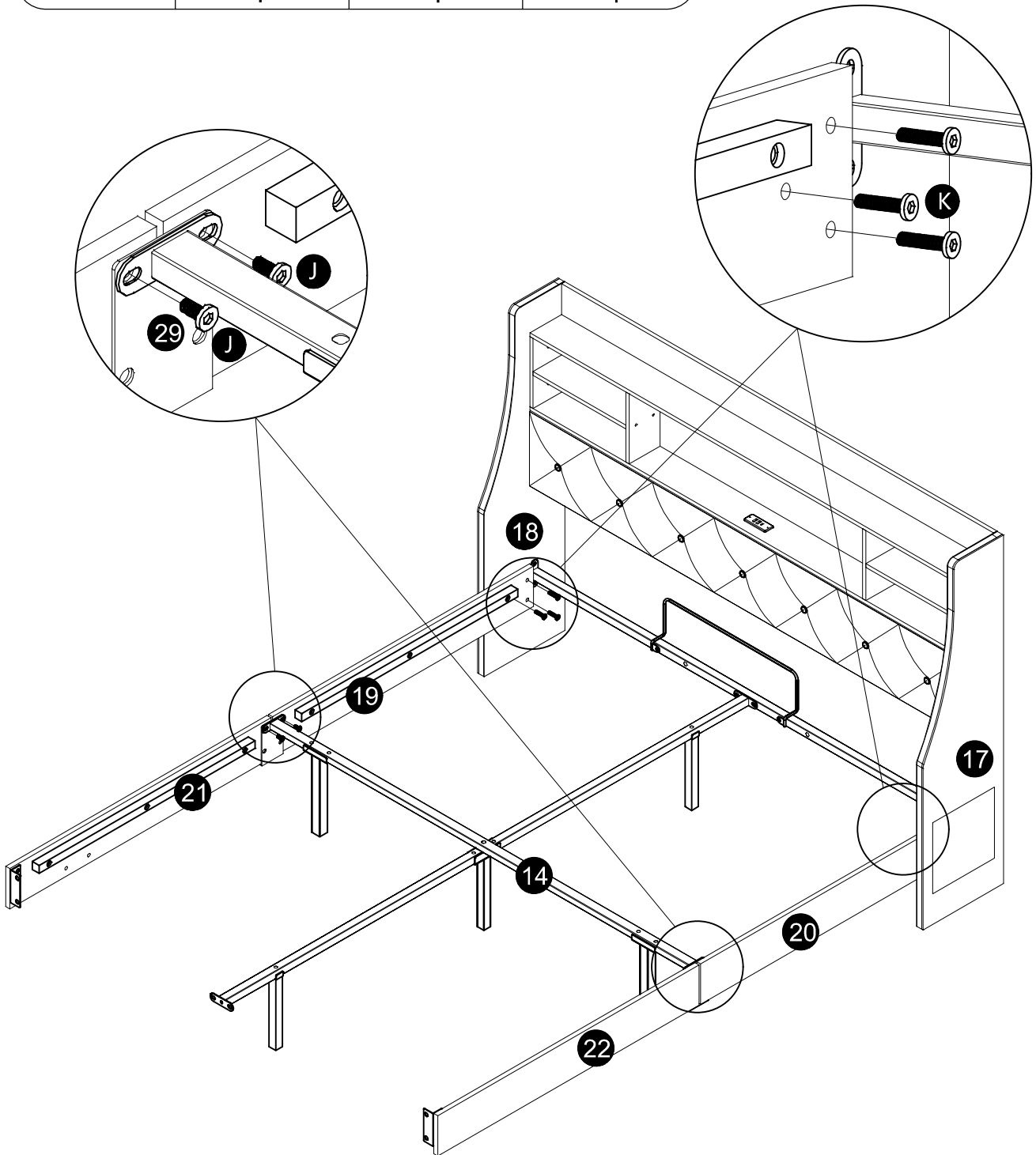


# 19

M8\*15  
JX4pcs

M8\*30  
KX6pcs

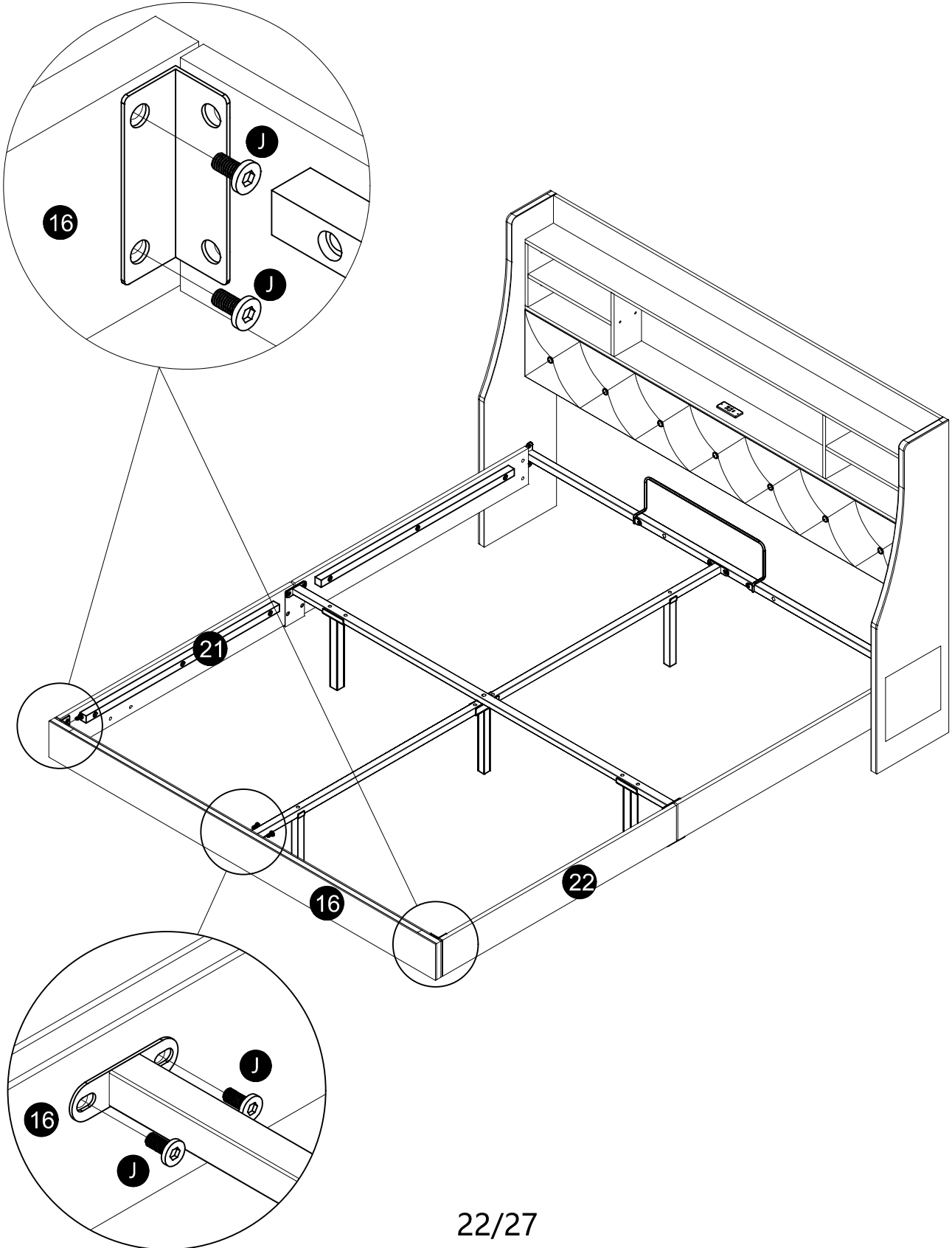
M8  
NX1pc



# 20

M8\*15  
JX6pcs

M8  
NX1pc

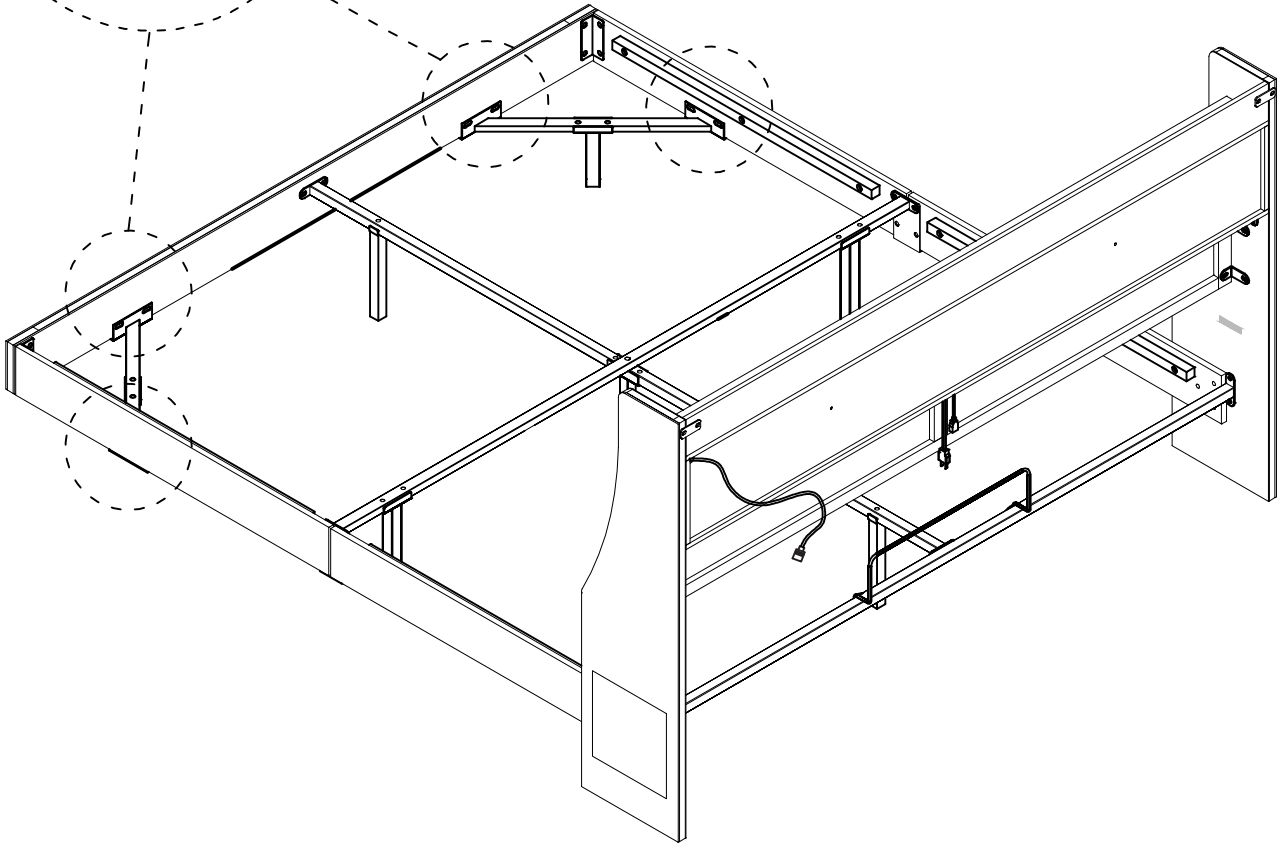
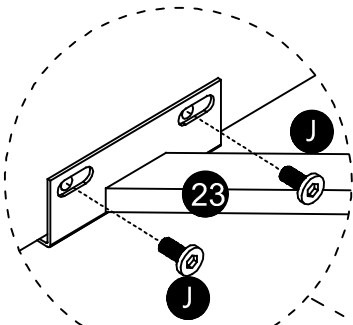
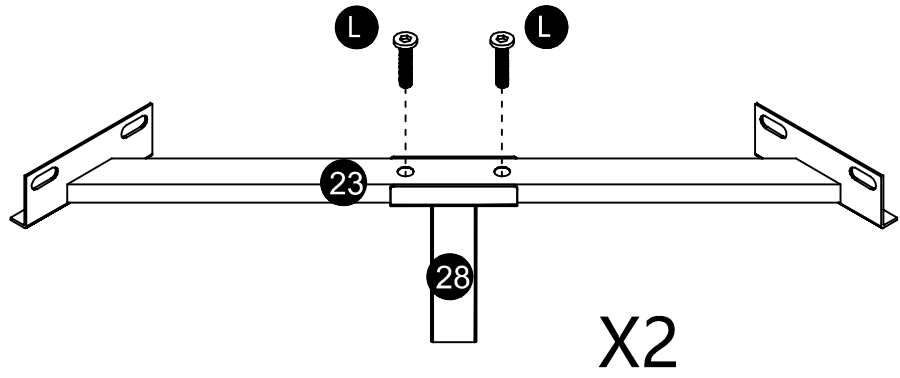


# 21

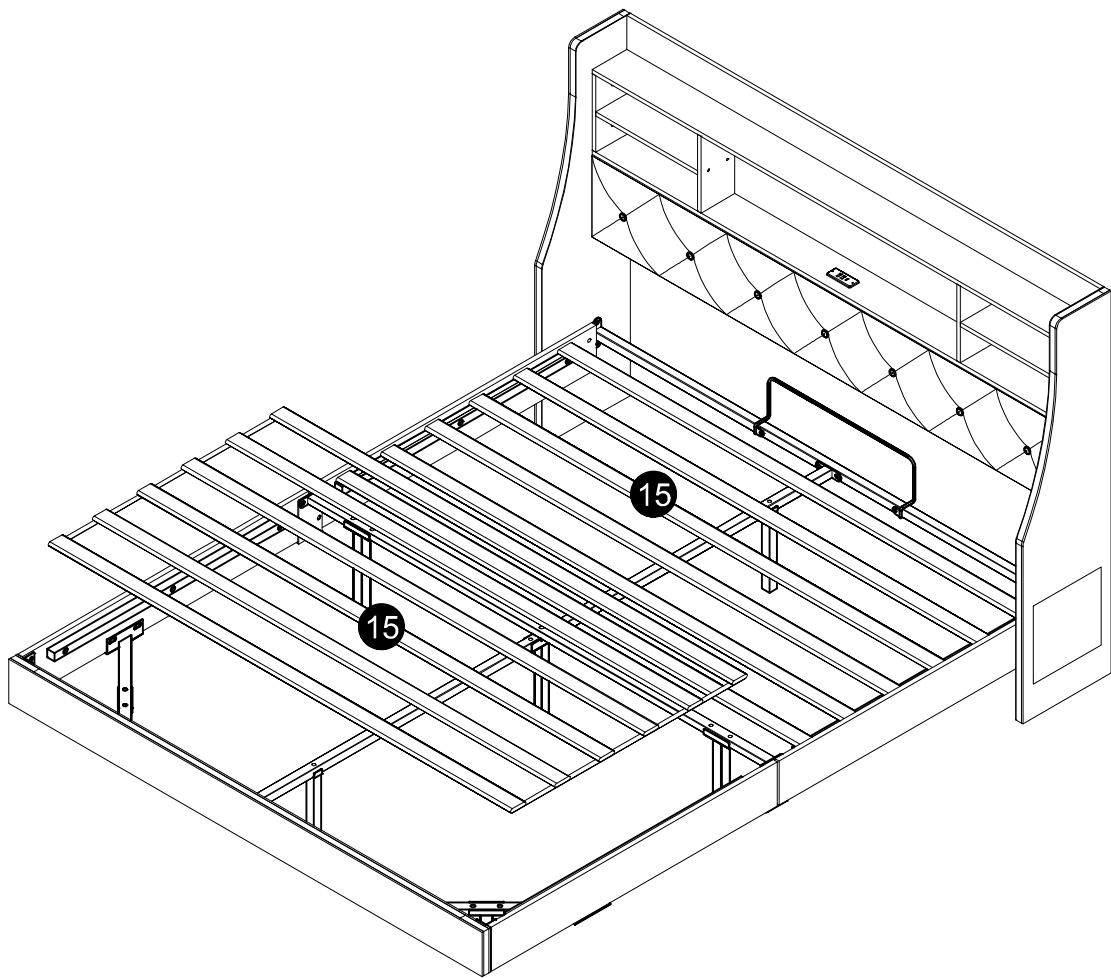
M8\*35  
LX4pcs

M8\*15  
JX8pcs

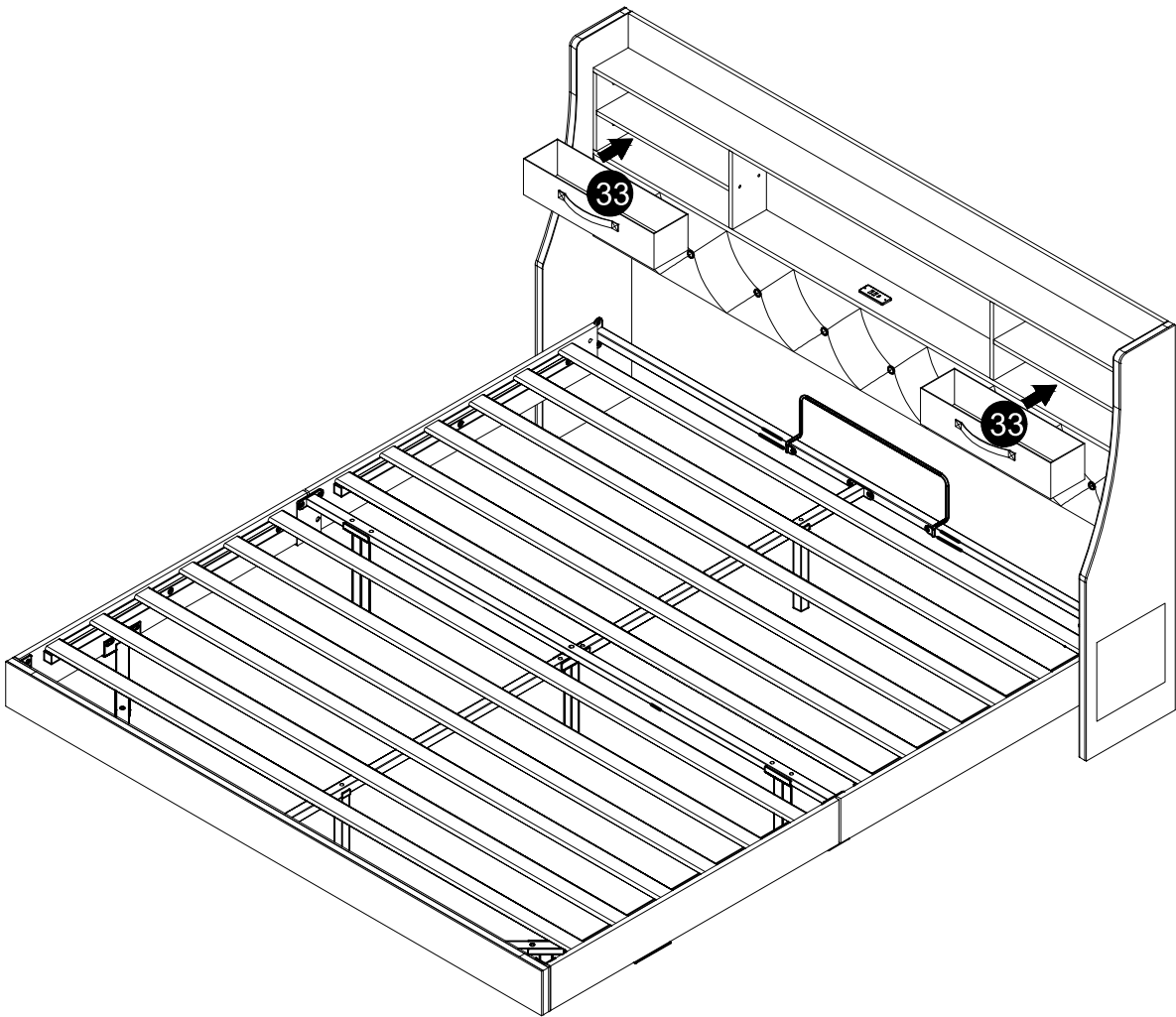
M8  
NX1pc



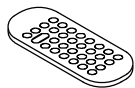
22



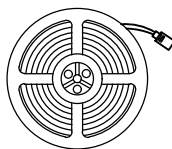
23



# 24



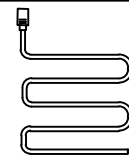
**T** Remote control  
1PC



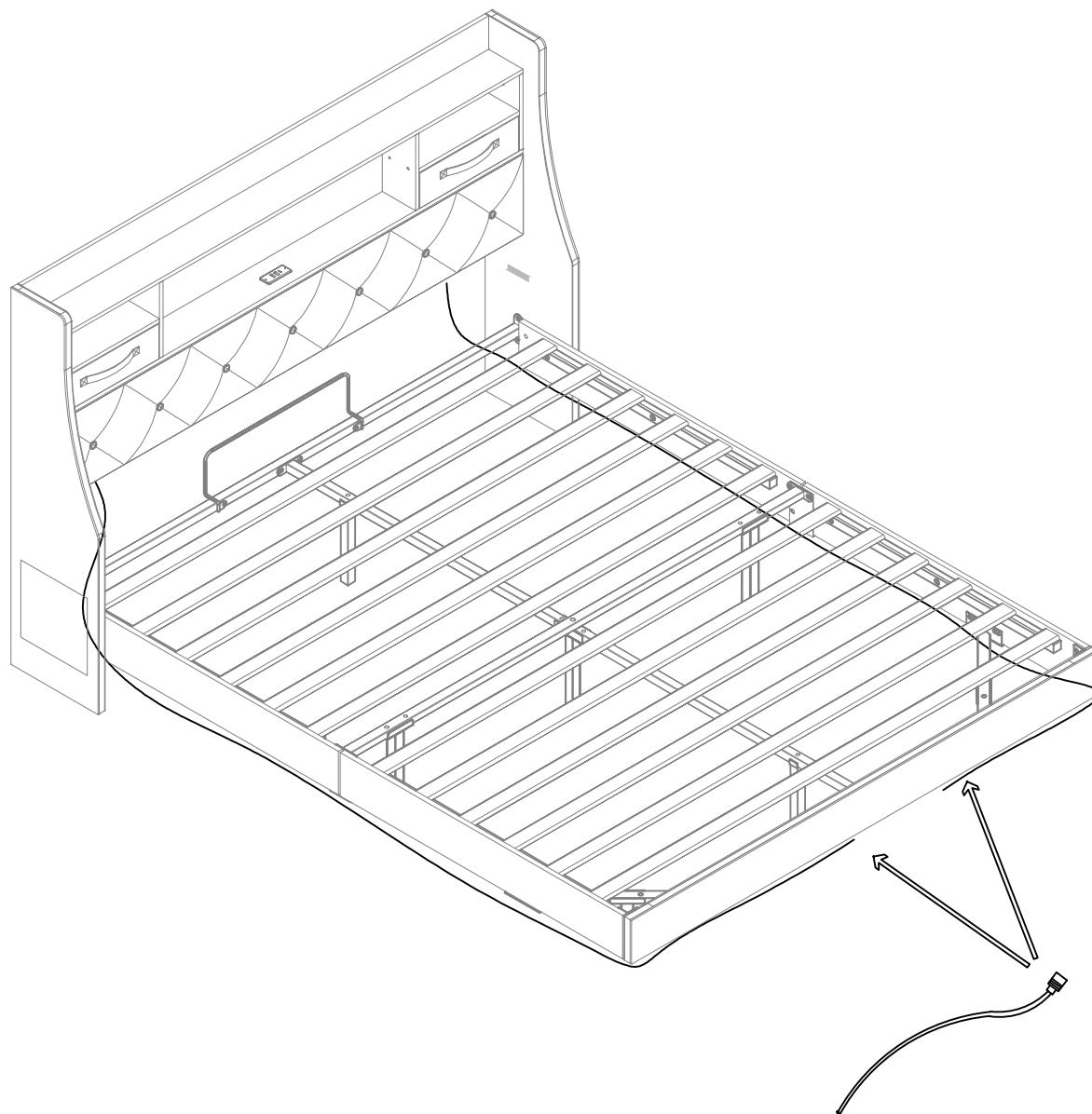
**V** Long light strip and unfold  
2PCS



Pull out

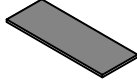
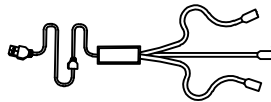


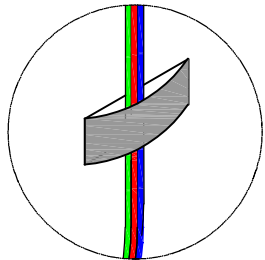
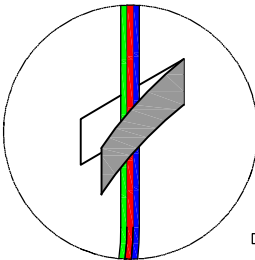
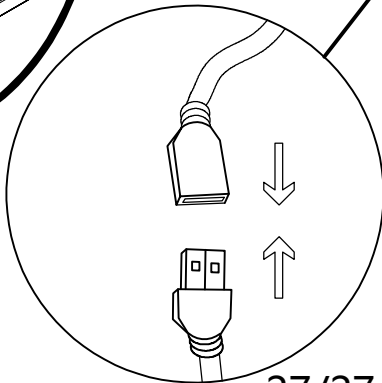
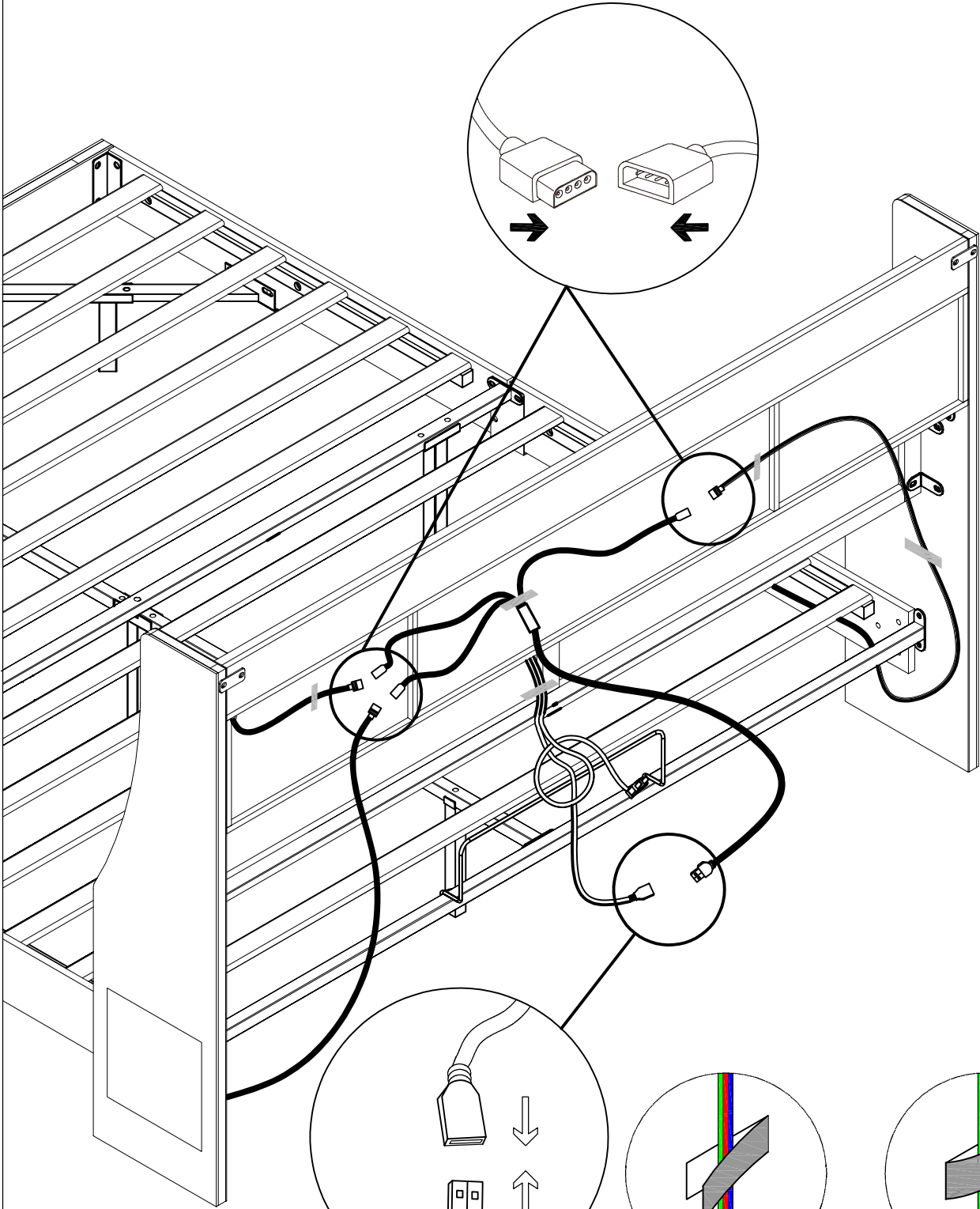
Light strip



- \*Stick the light strip onto the Velcro inside the groove
- \*Kleben Sie den Lichtstreifen auf den Klettverschluss in der Nut
- \*Collez la bande lumineuse sur le velcro à l'intérieur de la rainure
- \*Pega la tira luminosa en el velcro dentro de la ranura
- \*Incollare la striscia luminosa sul velcro all'interno della scanalatura.

# 25

	
<b>Z</b> Magic tape	<b>S</b> Power cord
3PCS	1PC



27/27

## EN:Battery Safety Instructions

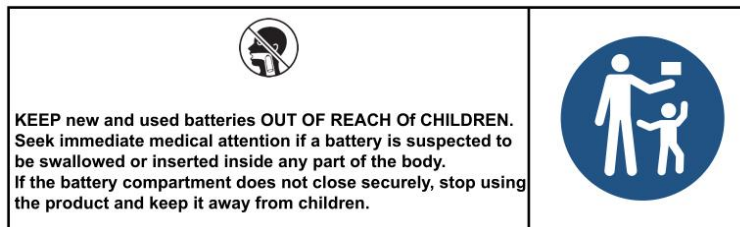
1. Do not dispose of used button batteries or remote controls in household trash. To protect the environment and prevent hazardous leakage, please follow these guidelines:
2. Remove button batteries after use and take them to a local battery recycling point or hazardous waste collection site.
3. Do not burn or dismantle the batteries to avoid explosion or toxic release.
4. If the remote control is no longer in use, please deliver it to a certified electronics recycling facility to promote resource reuse.
5. Keep out of reach of children to prevent accidental ingestion or injury.
6. This product does not include batteries; please purchase them separately. The compatible button cell model for the remote control is CR2025, 3V.
7. If the light strip is not working, please try replacing the battery first. If the issue persists, contact the seller for assistance.
8. **Keep the remote control away from children — keep it away from children!** If the battery is accidentally swallowed, seek medical attention immediately.

## DE:Batteriesicherheitshinweise

1. Entsorgen Sie gebrauchte Knopfzellen oder Fernbedienungen nicht im Hausmüll. Um die Umwelt zu schützen und gefährliche Leckagen zu vermeiden, beachten Sie bitte die folgenden Hinweise:
2. Entfernen Sie die Knopfzelle nach dem Gebrauch und bringen Sie sie zu einer örtlichen Batteriesammelstelle oder einem Sondermüllentsorgungszentrum.
3. Batterien nicht verbrennen oder zerlegen, um Explosionen oder die Freisetzung giftiger Stoffe zu vermeiden.
4. Wenn die Fernbedienung nicht mehr verwendet wird, bringen Sie sie zu einer zertifizierten Elektronik-Recyclingstelle, um eine Wiederverwertung zu ermöglichen.
5. Außerhalb der Reichweite von Kindern aufbewahren, um versehentliches Verschlucken oder Verletzungen zu verhindern.
6. Dieses Produkt enthält keine Batterien. Bitte kaufen Sie diese separat. Das kompatible Knopfzellenmodell für die Fernbedienung ist CR2025, 3V.
7. Wenn der Lichtstreifen nicht funktioniert, versuchen Sie zunächst, die Batterie zu wechseln. Besteht das Problem weiterhin, kontaktieren Sie bitte den Verkäufer.
8. **Halten Sie die Fernbedienung unbedingt von Kindern fern — unbedingt fernhalten!** Wird die Batterie versehentlich verschluckt, suchen Sie sofort medizinische Hilfe auf.

## FR:Instructions de sécurité pour les piles

1. Ne jetez pas les piles bouton usagées ou les télécommandes à la poubelle ménagère. Pour protéger l' environnement et éviter tout risque de fuite dangereuse, veuillez suivre les consignes suivantes :
  2. Retirez les piles bouton après usage et déposez-les dans un point de collecte local ou un centre de déchets dangereux.
  3. Ne brûlez pas et ne démontez pas les piles, cela pourrait entraîner une explosion ou libérer des substances toxiques.
  4. Si la télécommande n'est plus utilisée, déposez-la dans un centre de recyclage agréé pour appareils électroniques, afin de favoriser la réutilisation des ressources.
  5. Gardez hors de portée des enfants pour éviter tout risque d'ingestion accidentelle ou de blessure.
- 6.Ce produit ne contient pas de pile. Veuillez l'acheter séparément. Le modèle de pile bouton compatible pour la télécommande est CR2025,3V.
- 7.Si le ruban LED ne fonctionne pas, essayez d'abord de remplacer la pile. Si le problème persiste, contactez le vendeur.
- 8.**Tenez la télécommande éloignée des enfants — éloignez-la vraiment !** En cas d'ingestion accidentelle de la pile, consultez immédiatement un médecin.



If a battery has been ingested, or there is a possibility one might have been ingested, please seek medical attention and inform the medical authorities that you suspect battery ingestion.

It's not always clear when a child has swallowed a button battery, as there are no specific symptoms. However, they might:

- cough, gag, or drool;
- seem to have a stomach bug or virus;
- vomit;
- complain of pain in their stomach, chest, or throat;
- appear tired or sluggish; and
- lose their appetite.

Since the signs aren't obvious, it's important to keep a close eye on loose, used, or spare button batteries in your home, as well as the products that contain them.

**NOTE:**The battery in the remote control requires you to purchase and install it yourself.  
**Model:CR2025 3.V**



Reference No. : WTN23N07163435E  
Applicant : Guangdong Zhangong Electrical Technology Co., LTD  
Address : 701, Building 29, Zhifu Garden, Xingtan Town, Shunde District, Foshan City  
Manufacturer : Same as applicant  
Address : Same as applicant  
Product : Furniture Power Distribution Units  
Model No. : ZG-JJY-1UK to -8UK, others see attachment  
Technical data : 250 Vac, 50 - 60 Hz, 13 A, USB: 5 Vdc, 2 A

#### Test Standards:

BS EN IEC 55015:2019+A11:2020  
BS EN 61547:2009  
BS EN IEC 61000-3-2:2019+A1:2021  
BS EN 61000-3-3:2013+A1:2019+A2:2021


The above product has been tested by us with the listed standards and found in compliance with the Electromagnetic Compatibility Regulations 2016 of United Kingdom (S.I. 2016 No.1091). It is possible to use UKCA marking to demonstrate the compliance with the regulations.

**BS EN IEC 55015: Limits and methods of measurement of radio disturbance characteristics of electrical lighting and similar equipment**  
**BS EN 61547: Equipment for general lighting purposes — EMC immunity requirements**  
**BS EN IEC 61000-3-2: Electromagnetic compatibility (EMC) Part 3-2: Limits — Limits for harmonic current emissions (equipment input current  $\leq 16$  A per phase)**  
**BS EN 61000-3-3: Electromagnetic compatibility (EMC) Part 3-3: Limits - Limitation of voltage changes, voltage fluctuations and flicker in public low-voltage supply systems, for equipment with rated current  $\leq 16$  A per phase and not subject to conditional connection**

The referred test report(s) show that the product complies with standard(s) recognized as giving presumption of compliance with the essential requirements in the above mentioned UK regulations. Other relevant UK regulations have to be observed.

After preparation of the necessary technical documentation as well as the declaration of conformity, the UKCA marking as shown below can be affixed on the equipment under the sole responsibility of the manufacturer.

**UK  
CA**

  
Manager: Jianzhong Mao  
Date: 2023-09-05

The statement is based on a single evaluation of the sample of above mentioned product. It does not imply an assessment of the whole production.

**Waltek Testing Group (Ningbo) Co., Ltd.**

Hotline: 400-840-2288 E-mail: nb@waltek.com.cn  
Http://www.waltek.com.cn

Ver.10.22, WALTEK is registered trademark. Utilisation and application requires prior approval.

# Attachment

## Model list



Reference No.: WTN23N07163435E

No.	Model	Rated Input	Max Current	Max Output	Note
1.	ZG-JJY-1	250 Vac, 50 - 60 Hz	13 A	USB: 5 Vdc, 2 A	/
2.	ZG-JJY-1UK	250 Vac, 50 - 60 Hz	13 A	USB: 5 Vdc, 2 A	/
3.	ZG-JJY-2	250 Vac, 50 - 60 Hz	13 A	USB: 5 Vdc, 2 A	/
4.	ZG-JJY-2UK	250 Vac, 50 - 60 Hz	13 A	USB: 5 Vdc, 2 A	/
5.	ZG-JJY-3	250 Vac, 50 - 60 Hz	13 A	USB: 5 Vdc, 2 A	/
6.	ZG-JJY-3UK	250 Vac, 50 - 60 Hz	13 A	USB: 5 Vdc, 2 A	/
7.	ZG-JJY-4	250 Vac, 50 - 60 Hz	13 A	USB: 5 Vdc, 2 A	/
8.	ZG-JJY-4UK	250 Vac, 50 - 60 Hz	13 A	USB: 5 Vdc, 2 A	/
9.	ZG-JJY-5	250 Vac, 50 - 60 Hz	13 A	USB: 5 Vdc, 2 A	/
10.	ZG-JJY-5UK	250 Vac, 50 - 60 Hz	13 A	USB: 5 Vdc, 2 A	/
11.	ZG-JJY-6	250 Vac, 50 - 60 Hz	13 A	USB: 5 Vdc, 2 A	/
12.	ZG-JJY-6UK	250 Vac, 50 - 60 Hz	13 A	USB: 5 Vdc, 2 A	/
13.	ZG-JJY-7	250 Vac, 50 - 60 Hz	13 A	USB: 5 Vdc, 2 A	/
14.	ZG-JJY-7UK	250 Vac, 50 - 60 Hz	13 A	USB: 5 Vdc, 2 A	/
15.	ZG-JJY-8	250 Vac, 50 - 60 Hz	13 A	USB: 5 Vdc, 2 A	/
16.	ZG-JJY-8UK	250 Vac, 50 - 60 Hz	13 A	USB: 5 Vdc, 2 A	/





## VERIFICATION OF CONFORMITY

**No.** : PTC25082917901E-RF02  
**Applicant** : Dongguan Yihong Hardware electronics Co., LTD  
**Address** : Room 1106,NO.2 Shangheng Road,Chang'an Town  
 Dongguan,Guangdong,523880 China  
**Manufacturer** : Dongguan Yihong Hardware electronics Co., LTD  
**Address** : Room 1106,NO.2 Shangheng Road,Chang'an Town  
 Dongguan,Guangdong,523880 China  
**Product** : 2.4G Remote Controller  
**Trade Mark** : -  
**Model** : YH-629, YH-6181, YH-6183, YH-358  
**Ratings** : DC 3V

The submitted sample of the above equipment has been tested and found to comply with the following UK legislation:

**S.I. 2017 No. 1206 Radio Equipment Regulations 2017**

The standard(s) used for showing compliance with the essential requirements:

Applicable Standard(s)	Test Report(s) Number
ETSI EN 300 440 V2.2.1 (2018-07)	PTC25082917901E-EM01
ETSI EN 301 489-1 V2.2.3 (2019-11)	PTC25082917901E-EM02
ETSI EN 301 489-3 V2.3.2 (2023-01)	
BS EN 62479:2010	PTC25082917901E-EM03
BS EN IEC 62368-1:2020+A11:2020	PTC25082917901S-LD01

This verification is part of the full test report(s) and should be read in conjunction with it. This verification is based on an evaluation of one sample of above mentioned product. It does not imply assessment of the production of the product. Without the written approval of Precise Testing & Certification (Guangdong) Co., Ltd. this verification is not permitted to be reproduced, except in full. It is not permitted to use the test lab's logo. The UKCA marking may only be used if all the relevant and effective UK legislation are applicable.



*Jacky Ou*

Jacky Ou  
Manager  
Date: 2025-09-23



Shenzhen ZKT Technology Co., Ltd.  
 1/F, No. 101, Building B, No. 6, Tangwei Community Industrial Avenue,  
 Fuhai Street, Bao'an District, Shenzhen, China



# Certificate of Compliance

**Certificate Number: ZKT-25070215184C**

**Certificate's Holder** : Dongguan Yihong Hardware Electronics Co., Ltd  
 Room 1106, No.2, Shangheng Road, Chang' an Town,  
 Dongguan

**Manufacturer** : Dongguan Yihong Hardware Electronics Co., Ltd  
 Room 1106, No.2, Shangheng Road, Chang' an Town,  
 Dongguan

**Trade Mark** : N/A

**Product** : LED controller

**Model(s)** : YH-6183  
 YH-252, YH-284, YH-290, YH-287, YH-358, YH-360, YH-6180,  
 YH-6184

Requirement	Standard	Report No.
Art.3.1(a) Safety	BS EN IEC 62368-1:2024+A11:2024	ZKT-25070215185S
Art.3.1(a) Health	BS EN IEC 62311:2020 BS EN 50665:2017	ZKT-25070215184E-1
Art.3.1(b) EMC	ETSI EN 301 489-1 V2.2.3 (2019-11) ETSI EN 301 489-17 V3.3.0 (2024-07)	ZKT-25070215184E-2
Art.3.2 Radio	ETSI EN 300 328 V2.2.2 (2019-07)	ZKT-25070215184E-3

This Attestation of Compliance is issued on a voluntary basis for electrical equipment below the voltage limits of Radio Equipment Directive (RED) 2014/53/EU. The essential requirements are fulfilled accordingly based on the technical specifications applicable at the time of issuance.



This Certificate of Conformity is based on single evaluation of the submitted sample(s) of the above mentioned product. It does not imply an assessment of the whole product and relevant Directives to be observed.

# Attestation of Compliance

Declaration No.:	MK23110141P01-E01
Name and address of Applicant:	<b>Shenzhen Hongzhengyu Technology Co., LTD</b> Shenzhen baoan district rock street industrial science and technology industrial park of 2 Haitian lanyu 3 5 floor of A
Name and address of Manufacturer:	<b>Shenzhen Hongzhengyu Technology Co. LTD</b> Shenzhen baoan district rock street industrial science and technology industrial park of 2 Haitian lanyu 3 5 floor of A
Product name:	<b>RGB package</b>
Rated:	DC5V
Product model(s):	HZY-5050RGB-30D-90R-DC5V, HZY-5050RGB-30D-30R-DC5V, HZY-5050RGB-60D-60R-DC5V, HZY-5050RGB-60D-180R-DC5V, HZY-5050RGB-18D-18R-DC5V
Product trademark:	N/A

This Attestation of Compliance confirms that the product meets the requirements of the following standard.

BS EN IEC 55015:2019+A11:2020  
IEC 61547:2020  
BS EN IEC 61000-3-2:2019  
BS EN 61000-3-3:2013/A2:2021

*The Attestation of Compliance has been carried out in accordance with individual rules and conditions agreed with the applicant. Evaluation has been carried out in accordance with:*

Test report(s) No.:	MK23110141P01-E01
Test conducted by:	TMC Testing Services (Shenzhen) Co., Ltd.
Declaration issue date:	December 5, 2023

#### Notes:

*This Attestation of Compliance is issued according to the Great Britain legislation Electromagnetic Compatibility Regulations 2016( SI 2016 No. 1091). It confirms that the listed products complies with all essential requirements of the Regulations and applies only to the sample and its technical documentation to TMC Testing Services (Shenzhen) Co., Ltd. for testing.*

*After preparation of the necessary technical documentation (which must be kept for up 10 years after the product is placed on the GB market) as well as the UK Declaration of Conformity, the required UKCA marking can be affixed on the product. Other relevant Regulations have to be observed.*

#### TMC Testing Services (Shenzhen) Co. Ltd.

t:86-755-86642861 cert@tmc-lab.com www.tmc-lab.com

1st Floor, Block A1, Zone A, Xinshidai Gongrong Industrial Park, No. 2, Shihuan Road, Shiyuan Street, Baoan District, Shenzhen, China



*Vivian Jiang*  
Lab Director  
Vivian Jiang

**UK  
CA**

UK  
CA



Importer	COMHARBOR LIMITED		
Add	Unit C,Swit Point,Cosford Lane,Rugby,CV211PY,GB		
Email/URL	harborcomhar@gmail.com		
Manufacturer	Dongguan Yihong Hardware Electronics Co.. Ltd		
Add	Room 1106.No.2,Shangheng Road, Chang an Town		
Email/URL	<a href="mailto:414564409@qq.com">414564409@qq.com</a>		
Product identification	202509		
Made in	China		
Produt Name: LED Controller Model:YH-284			
Rated voltage: 5 V Rated frequency:50/60Hz Power:15W			
<table border="1"><tr><td>UK</td><td>REP</td></tr></table>	UK	REP	COMHARBOR LIMITED Unit C,Swit Point,Cosford Lane,Rugby,CV211PY,GB harborcomhar@gmail.com
UK	REP		


UK  
CA



Importer	COMHARBOR LIMITED		
Add	Unit C,Swit Point,Cosford Lane,Rugby,CV211PY,GB		
Email/URL	harborcomhar@gmail.com		
Manufacturer	<b>Shenzhen HongzhengYu Technology Co., LTD</b>		
Add	Shenzhen baoan dist ict rock street industrial science and technology industrial Park of 2 Haitian lanYu 3 5 floor of A		
Email/URL	<a href="mailto:610488898@qq.com">610488898@qq.com</a>		
Product identification	202509		
Made in	China		
Produt Name: LED soft light strip Model:HZY-5050RGB-30D/HZY-5050RGB-60D			
Rated voltage: 5 V Rated frequency:50/60Hz Power:4.5W/M			
<table border="1"><tr><td>UK</td><td>REP</td></tr></table>	UK	REP	COMHARBOR LIMITED Unit C,Swit Point,Cosford Lane,Rugby,CV211PY,GB harborcomhar@gmail.com
UK	REP		


UK  
CA



Importer	COMHARBOR LIMITED
Add	Unit C,Swit Point,Cosford Lane,Rugby,CV211PY,GB
Email/URL	harborcomhar@gmail.com
Manufacturer	Dongguan Yihong Hardware Electronics Co.. Ltd
Add	Room 1106.No.2,Shangheng Road, Chang an Town
Email/URL	<a href="mailto:414564409@qq.com">414564409@qq.com</a>
Product identification	202509
Made in	China
Produit Name: 2.4GRemoteController YH-629	
Rated Voltage: 3V Power: 0.0006W	
	COMHARBOR LIMITED Unit C,Swit Point,Cosford Lane,Rugby,CV211PY,GB harborcomhar@gmail.com

UK  
CA



Importer	COMHARBOR LIMITED
Add	Unit C,Swit Point,Cosford Lane,Rugby,CV211PY,GB
Email/URL	harborcomhar@gmail.com
Manufacturer	Guangdong Zhagong Electrical Technology Co., LTD
Add	701, Building 29, Zhifu Garden, Xingtan Town, Shunde District, Foshan City
Email/URL	<a href="mailto:info@waltek.com">info@waltek.com</a>
Product identification	202509
Made in	China
Produit Name: Furniture Power Distribution Units <b>ZG-JJY-1UK to -8UK</b>	
Input AC:220-250V 50/60HZ 10-13A Out Put: DC 5V. 2A	
	COMHARBOR LIMITED Unit C,Swit Point,Cosford Lane,Rugby,CV211PY,GB harborcomhar@gmail.com

**UK  
CA**



Importer	COMHARBOR LIMITED		
Add	Unit C,Swit Point,Cosford Lane,Rugby,CV211PY,GB		
Email/URL	harborcomhar@gmail.com		
Manufacturer	Shenzhen Pinchengxin Technology Co., Ltd		
Add	3rd floor,8building Yuanling industrial zon, No. 39 Yuanlingcun road,Shiyan street, Bao'an district, Shenzhen		
Email/URL	<a href="mailto:fosm11@foxmail.com">fosm11@foxmail.com</a>		
Product identification	202509		
Made in	China		
Produit Name: 5050 RGB LED Strip Lights ,PCX-LED5050RGB-30D, PCX-LED5050RGB-60D,			
Input AC:220-250V 50/60HZ 10-13A Out Put: DC 5V. 2A			
<table border="1"><tr><td>UK</td><td>REP</td></tr></table>	UK	REP	COMHARBOR LIMITED Unit C,Swit Point,Cosford Lane,Rugby,CV211PY,GB harborcomhar@gmail.com
UK	REP		

Shenzhen ZKT Technology Co., Ltd.  
 1/F, No. 101, Building B, No. 6, Tangwei Community Industrial Avenue,  
 Fuhai Street, Bao'an District, Shenzhen, China



# Certificate of Compliance

**Certificate Number: ZKT-25070215184C**

**Certificate's Holder** : Dongguan Yihong Hardware Electronics Co., Ltd  
 Room 1106, No.2, Shangheng Road, Chang' an Town,  
 Dongguan

**Manufacturer** : Dongguan Yihong Hardware Electronics Co., Ltd  
 Room 1106, No.2, Shangheng Road, Chang' an Town,  
 Dongguan

**Trade Mark** : N/A

**Product** : LED controller

**Model(s)** : YH-6183  
 YH-252, YH-284, YH-290, YH-287, YH-358, YH-360, YH-6180,  
 YH-6184

Requirement	Standard	Report No.
Art.3.1(a) Safety	BS EN IEC 62368-1:2024+A11:2024	ZKT-25070215185S
Art.3.1(a) Health	BS EN IEC 62311:2020 BS EN 50665:2017	ZKT-25070215184E-1
Art.3.1(b) EMC	ETSI EN 301 489-1 V2.2.3 (2019-11) ETSI EN 301 489-17 V3.3.0 (2024-07)	ZKT-25070215184E-2
Art.3.2 Radio	ETSI EN 300 328 V2.2.2 (2019-07)	ZKT-25070215184E-3

This Attestation of Compliance is issued on a voluntary basis for electrical equipment below the voltage limits of Radio Equipment Directive (RED) 2014/53/EU. The essential requirements are fulfilled accordingly based on the technical specifications applicable at the time of issuance.



This Certificate of Conformity is based on single evaluation of the submitted sample(s) of the above mentioned product. It does not imply an assessment of the whole product and relevant Directives to be observed.

## CERTIFICATE OF CONFORMITY

No.: PTC25102309601C-EN01

**Applicant** : Dongguan Yihong Hardware electronics Co., LTD  
**Address** : Room 901, No. 2, Shangheng Road, Chang'an Town,  
Dongguan City, Guangdong Province, 523880 China  
**Manufacturer** : Dongguan Yihong Hardware electronics Co., LTD  
**Address** : Room 901, No. 2, Shangheng Road, Chang'an Town,  
Dongguan City, Guangdong Province, 523880 China  
**Product Name** : Remote control  
**Test Sample Model** : YH-448G  
: YH-6181, YH-6183, YH-629, YH-RF10, YH-RF11, YH-RF17,  
**Other Sample Model** : YH-RF14, YH-RF24, YH-RF16, YH-252, YH-248R, YH-248G,  
YH-899, YH-689

The submitted sample of the above equipment has been tested and found to comply with the following European Directive:

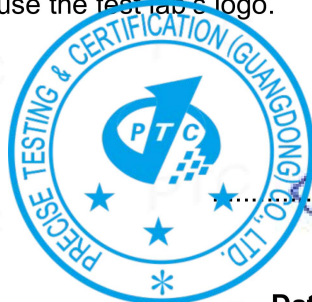
**RoHS Directive 2011/65/EU & EU No.2015/863**

The standard(s) used for showing compliance with the essential requirements:

Applicable Standard(s)	Test Report(s) Number
<b>IEC 62321-1:2013, IEC 62321-2:2021 IEC 62321-3-1:2013, IEC 62321-3-2:2020 IEC62321-4: 2013+AMD1:2017 IEC 62321-5:2013 IEC 62321-6:2015, IEC 62321-7-1: 2015 IEC 62321-7-2: 2017, IEC 62321-8:2017</b>	<b>PTC25102309601C-EN01</b>

This certificate is part of the full test report(s) and should be read in conjunction with it. This certificate is based on an evaluation of one sample of above mentioned product. It does not imply assessment of the production of the product. Without the written approval of Precise Testing & Certification (Guangdong) Co., Ltd., this certificate is not permitted to be reproduced, except in full. It is not permitted to use the test lab's logo.

# RoHS



  
Jacky Ou  
Manager

Date: Dec. 04, 2025



**EU Type Examination Certificate**  
for  
Radio Equipment Directive



**Certificate No.: 3042 – RED – P25SZ11184**

Page 1 of 3

In compliance with the Radio Equipment Directive 2014/53/EU (as amended), this certificate applies to the product(s):

**Name of Product** : 2.4G Remote Controller  
**Model / Type Designation** : YH-629, YH-6181, YH-6183, YH-358  
**Tradename / Trademark** : Not Applicable  
**Manufacturer** : Dongguan Yihong Hardware electronics Co., LTD  
**Address** : Room 1106, NO.2 Shangheng Road, Chang'an Town Dongguan, Guangdong, 523880 China

This certificate attests that all provisions concerning the assessment and verification of performance are described below:

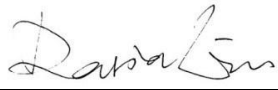
- Article 3.1 (a) : Protection of Health and Safety
- Article 3.1 (b) : Electromagnetic Compatibility
- Article 3.2 : Effective and Efficient Use of Radio Spectrum

as per Annex III (Module B) for the performance set out in this certificate, are applied.

This Certificate has TWO appendixes.

CT Project No.: P25SZ11184

**For and on behalf of Compliance Testing, LLC**  
**(Notified Body No.: 3042)**

**Authorized Signatory**  **Valid From:** 09-12-2025 **Expiry Date:** 09-12-2030  
(Daria Liu) (dd-mm-yyyy) (dd-mm-yyyy)

This certificate and its appendix may only be reproduced in its entirety and without change.

This certificate remains valid, unless cancelled or revoked, provided the conditions indicated in the subsequent page(s) are complied with and the product remains satisfactory in service. This certificate will not be valid if the applicant makes any changes or modifications to the approved product, which have not been notified to, and agreed in writing with Compliance Testing, LLC. Should the specified regulations or standards be amended, the products are to be re-approved prior to being placed on the market.

Any person not a party to the contract pursuant to which this document is delivered may not assert a claim against Compliance Testing, LLC for any liability arising out of errors or omissions which may be contained in said document, or for errors of judgement, fault or negligence committed by personnel in the establishment or issuance of this document, and in connection with any activities for which it may provide.



**EU Type Examination Certificate**  
for  
Radio Equipment Directive  
Certificate No.: 3042 – RED – P25SZ11184



**APPENDIX II – SCHEDULE OF APPROVAL**

**ADDRESSED STANDARDS**

• Article 3.1 (a)	:	EN IEC 62368-1:2020+A11:2020
• Article 3.1 (a)	:	EN 62479:2010
• Article 3.1 (b)	:	EN 301 489-1 V2.2.3 (2019-11)
		EN 301 489-3 V2.3.2 (2023-01)
		EN 55032:2015+A1:2020
		EN 55035:2017+A11:2020
• Article 3.2	:	EN 300 440 V2.2.1 (2018-07)

**APPLICATIONS / LIMITATIONS**

None.

**MARKING OF PRODUCT**

The manufacturer name and type designation shall be applied to the product in a visible location.

The product shall carry the **CE** mark when placing on the market of the member states of the European Union.

**TYPE EXAMINATION DOCUMENTATION**

Test Report(s)

Type of Report	Issued By	Report No.	Issue Date
Safety	Precise Testing & Certification (Guangdong) Co., Ltd.	PTC25082917901S-LD01	2025-09-23
Health	Precise Testing & Certification (Guangdong) Co., Ltd.	PTC25082917901E-EM03	Sep. 23, 2025
EMC	Precise Testing & Certification (Guangdong) Co., Ltd.	PTC25082917901E-EM02	Sep. 23, 2025
		PTC25111821001E-EM01	Nov. 26, 2025
Radio	Precise Testing & Certification (Guangdong) Co., Ltd.	PTC25082917901E-EM01	Sep. 23, 2025

Additional Documentation

External Photos, Internal Photos, User Manual, Label, Antenna Specifications, Block Diagram, Circuit Diagram, Operational Description, PCB Layout, Parts Placement, Parts List, Full DoC, Risk Assessment.

**ADDITIONAL INFORMATION**

None.

--- End of Appendix II ---

## CERTIFICATE OF CONFORMITY

No.: PTC25102309602C-EN01V02

**Applicant** : Dongguan Yihong Hardware electronics Co., LTD  
**Address** : Room 901, No. 2, Shangheng Road, Chang'an Town, Dongguan City, Guangdong Province, 523880 China  
**Manufacturer** : Dongguan Yihong Hardware electronics Co., LTD  
**Address** : Room 901, No. 2, Shangheng Road, Chang'an Town, Dongguan City, Guangdong Province, 523880 China  
**Product Name** : LED Controler  
**Model No.** : YH-289,YH-980 ,YH-284 ,YH-917 ,YH-818,YH-816,YH-6181,YH-358

The submitted sample of the above equipment has been tested and found to comply with the following European Directive:

**RoHS Directive 2011/65/EU & EU No.2015/863**

The standard(s) used for showing compliance with the essential requirements:

Applicable Standard(s)	Test Report(s) Number
IEC 62321-1:2013, IEC 62321-2:2021 IEC 62321-3-1:2013, IEC 62321-3-2:2020 IEC62321-4: 2013+AMD1:2017 IEC 62321-5:2013 IEC 62321-6:2015, IEC 62321-7-1: 2015 IEC 62321-7-2: 2017, IEC 62321-8:2017	PTC25102309602C-EN01V02

This certificate is part of the full test report(s) and should be read in conjunction with it. This certificate is based on an evaluation of one sample of above mentioned product. It does not imply assessment of the production of the product. Without the written approval of Precise Testing & Certification (Guangdong) Co., Ltd., this certificate is not permitted to be reproduced, except in full. It is not permitted to use the test lab's logo.

# RoHS



Jacky Ou  
Manager  
Date:Dec. 11, 2025





**Registration No. :** WTN25D04079446  
**Reference No. :** WTN25D04079446Z  
**Applicant :** Guangdong Zhangong Electric Technology Co., Ltd.  
**Address :** Room 701, Building 29, Shunde Zhifu Park, No.8, 2nd Ring Road, Gaozan village committee, Xingtan town, Shunde District, Foshan City, Guangdong Province  
**Manufacturer :** The same as above  
**Address :** The same as above  
**Product :** MountableUSB Hub/USBCHARGER  
**Model No. :** ZG-USB-O01A, ZG-USB-Y01A, ZG-USB-O02A, ZG-USB-Y02A, ZG-USB-O01B, ZG-USB-Y01B, ZG-USB-O02B, ZG-JJ/12A/15A:  
**Technical data :** See model list

### Test Standards:

**EN IEC 61558-1:2019**

**EN 61558-2-16:2009+A1:2013**

The above product has been tested by us with the listed standards and found in compliance with the European Directive LVD 2014/35/EU. It is possible to use CE marking to demonstrate the compliance with this LVD Directive.

### Safety of power transformers, power supplies, reactors and similar products - Part 1:

#### General requirements and tests

#### Safety of transformers, reactors, power supply units and similar products for supply voltages up to 1100 V - Part 2-16: Particular requirements and tests for switch mode power supply units and transformers for switch mode power supply units

The referred test report(s) show that the product complies with standard(s) recognized as giving presumption of compliance with the essential requirements in the above mentioned EU Directive. Other relevant Directives have to be observed.

After preparation of the necessary technical documentation as well as the EU Declaration of Conformity, the CE marking as shown below can be affixed on the equipment under the sole responsibility of the manufacturer.



Manager: Deval Qin

Date: 2025-5-30

The statement is based on a single evaluation of the sample of above mentioned product. It does not imply an assessment of the whole production.

### Waltek Testing Group Co., Ltd.

**Hotline: 400-840-2288**

**E-mail: info@waltek.com.cn**

**Http://www.waltek.com.cn**

Ver.03. 26.09.2024, WALTEK is registered trademark. Utilisation and application requires prior approval.

# Attachment

## Model list



Reference No.: WTN25D04079446Z

Model List:

Product name	Model name	Differences
MountableUSB Hub/USBCHA RGER	ZG-USB-O01A, ZG-USB-O01B	Input: AC 100V-250V,50/60Hz Type-C Output: 5Vdc 2.1A USB Output: 5Vdc 2.1A Type-C+USB Output: 5Vdc 2.1A EU plug
	ZG-USB-O02A, ZG-USB-O02B	Input: AC 100V-250V,50/60Hz USB Output: 5Vdc 2.1A USB+USB Output: 5Vdc 2.1A EU plug
	ZG-USB-Y01A, ZG-USB-Y01B	Input: AC 100V-250V,50/60Hz Type-C Output: 5Vdc 2.1A USB Output: 5Vdc 2.1A Type-C+USB Output: 5Vdc 2.1A UK plug
	ZG-USB-Y02A, ZG-JJ/12A/15A	Input: AC 100V-250V,50/60Hz USB Output: 5Vdc 2.0A USB+USB Output: 5Vdc 2.0A UK plug

=====End of Attachment=====

**Waltek Testing Group Co., Ltd.**

**Hotline:400-840-2288**

**E-mail:info@waltek.com.cn**

**Http://www.waltek.com.cn**

Ver.03. 26.09.2024, WALTEK is registered trademark. Utilisation and application requires prior approval.

## EU DECLARATION OF CONFORMITY

1. Product model/product (product, type, batch or serial number):

**ZG-JJY-1UK to -8UK FURNITURE SOCKET 250V/16A/ 50Hz/60Hz**

2. Name and address of the manufacturer or his authorised representative:

**Guangdong Zhangong Electric Technology Co., LTD**

**701, Building 29, zhifuyuan Industrial Zone, Xingtan town, Shunde District, Foshan City,  
Guangdong Province**

3. This declaration of conformity is issued under the sole responsibility of the manufacturer.

4. Object of the declaration (identification of electrical equipment allowing traceability, it may include a colour image of sufficient clarity where necessary for the identification of the electrical equipment):**ZG-JJY-1UK to -8UK FURNITURE SOCKET 250V/16A/ 50Hz/60Hz**

5. The object of the declaration described above is in conformity with the relevant Union harmonisation legislation: EMC Directive 2014/30/EU. Low Voltage Directive 2014/35/EU. RoHS Directive 2011/65/EU

6. References to the relevant harmonised standards used or references to the other technical specifications in relation to which conformity is declared:

EN 55032:2015 + A11:2020 + A1:2020 , EN 55035:2017 + A11:2020, EN IEC 61000-3-2:2019 + A1:2021 , EN 61000-3-3:2013 + A1:2019 + A2:2021

DIN VDE 0620-1(VDE 0620-1):2021-02, DIN VDE 0620-2-1 VDE 0620-2-1:2021-02/A1 VDE 0620-2-1/A1:2023-09, EN IEC 61558-1:2019, EN 61558-2-16:2009+A1:2013 IEC 62321-2:2021, IEC 62321-3-1:2013, IEC 62321-4:2013+AMD1:2017, IEC 62321-5:2013, IEC 62321-7-2: 2017 and IEC 62321-7-1: 2015, IEC 62321-6:2015

7. Additional information: Risk of electric shock. Do not open. For indoor use only.

Signed for and on behalf of:

**Guangdong Zhangong Electric Technology Co., LTD**

(place and date of issue): 2025.12.2

**Guangdong, NOV 30<sup>TH</sup>, 2025**

(name, function) (signature): 陈伟荣



# Certificate of Compliance

**Certificate No.: AiTSZ-251217003RC09**

The EUT described above has been consolidated by us and found in compliance with the Restriction of the Use of Certain Hazardous Substances in Electrical and Electronic Equipment Regulations 2012.

**Applicant** : Shenzhen Pinchengxin Technology Co., Ltd  
**Address** : 3rd floor, 8 building Yuanling industrial zon, No. 39 Yuanlingcun road, Shiyan street, Bao'an district, Shenzhen  
**Manufacturer** : Shenzhen Pinchengxin Technology Co., Ltd  
**Address** : 3rd floor, 8 building Yuanling industrial zon, No. 39 Yuanlingcun road, Shiyan street, Bao'an district, Shenzhen  
**Product** : 5050 RGB LED Strip Lights with Bluetooth App Controller and 2.4G Remote  
**Model No.** : LLED 5050 RGB  
**Serial Model** : LED Strip Lights, LED 5050 RGB, PCX-LED5050RGB-30D, PCX-LED5050RGB-60D, PCX-LED5050RGB-90D, PCX-LED5050RGB-120D, PCX-LED5050RGB-18D  
**Trade mark** : N/A  
**Test Report No.** : AiTSZ-251217003R

## Test Standards:

IEC 62321-3-1: 2013  
IEC 62321-4:2013+AMD1:2017 CSV  
IEC 62321-5:2013  
IEC 62321-6:2015  
IEC 62321-7-1:2015  
IEC 62321-7-2:2017  
IEC 62321-8:2017



*Lizhen*  
.....  
**Lizhen**  
**Date: Dec.19, 2025**



The statement is based on a single evaluation of one sample of above mentioned products. It does not imply an assessment of the whole production and does not permit the use of the test lab logo.



**Guangdong Asia Hongke Test Technology Co.,Ltd.**

B1/F, Building 11, Junfeng Industrial Park, Chongqing Road, Heping Community, Fuhai Street, Bao'an District, Shenzhen, Guangdong, China  
Tel:+86. 0755-23096763