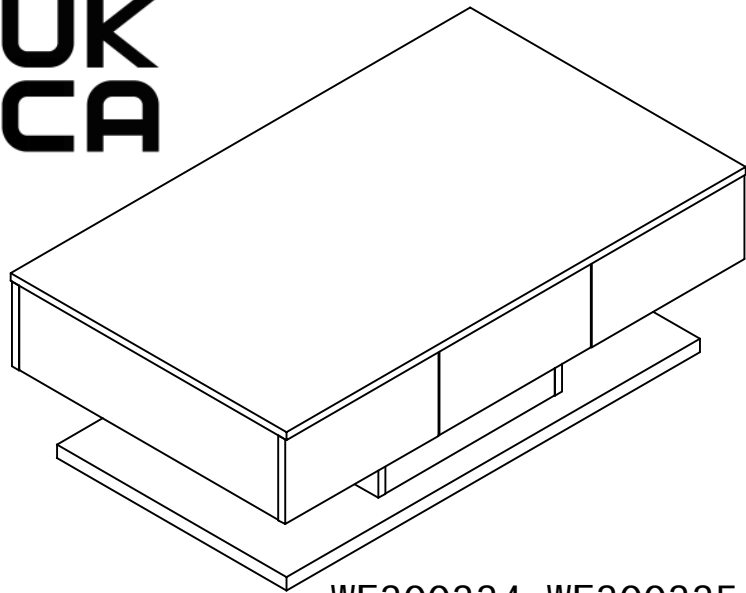
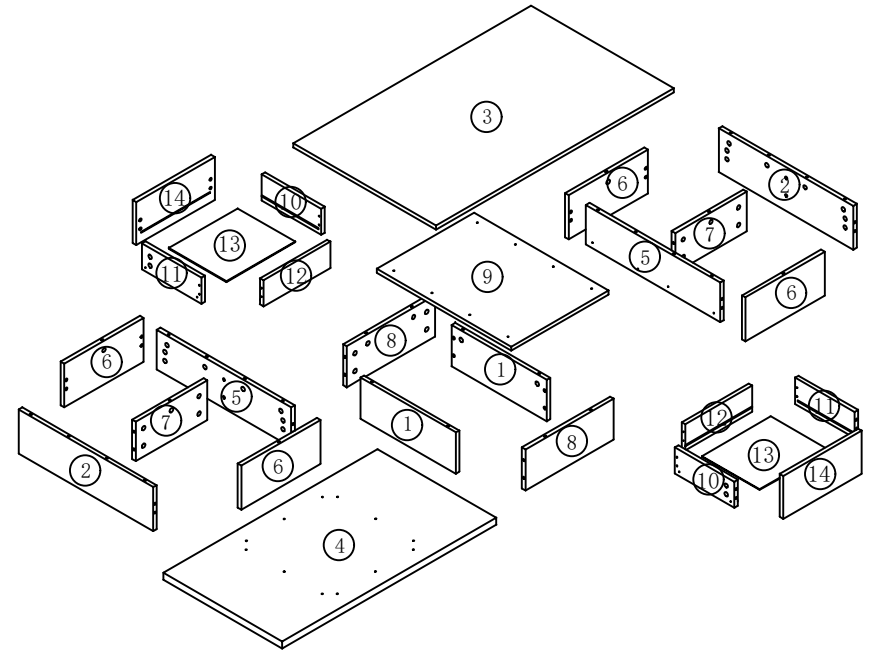


UK CA

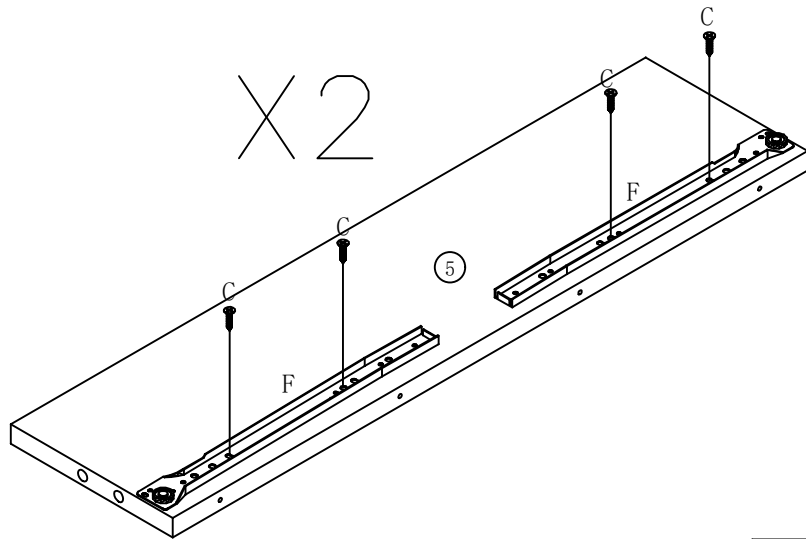


WF300334+WF300335

A 70PCS	B 70PCS
C $\phi 3.5 \times 14$ 20PCS	D $\phi 3.5 \times 30$ 16PCS
E $\phi 3.5 \times 40$ 12PCS	F 2SET
G 2PCS	H 6PCS
G 1SET	

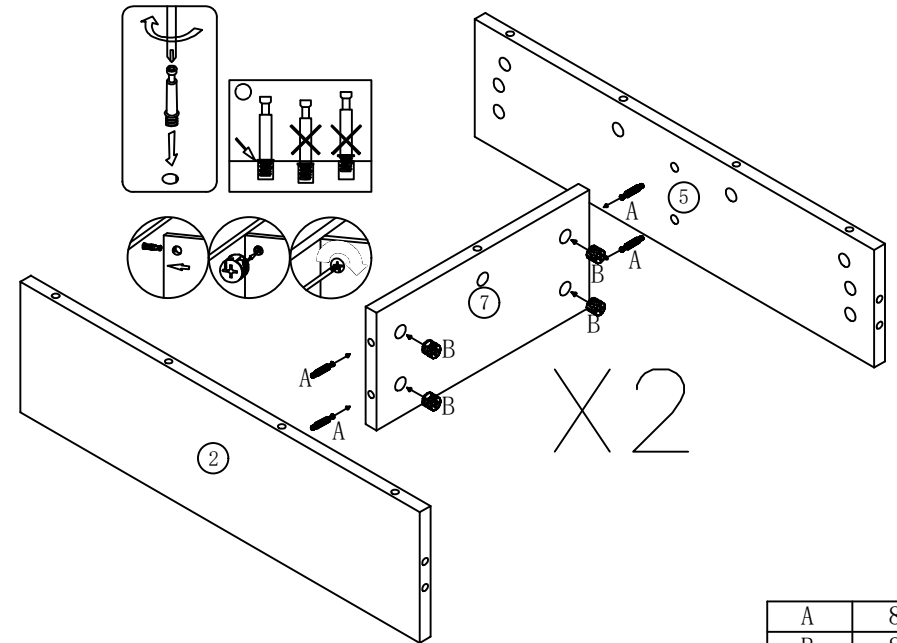


1



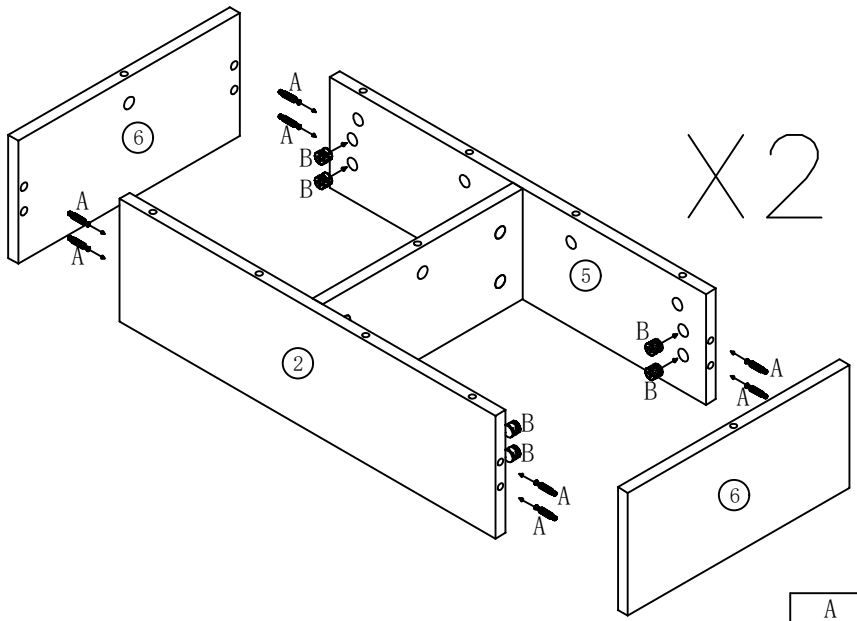
C	8PCS
F	4PCS

2



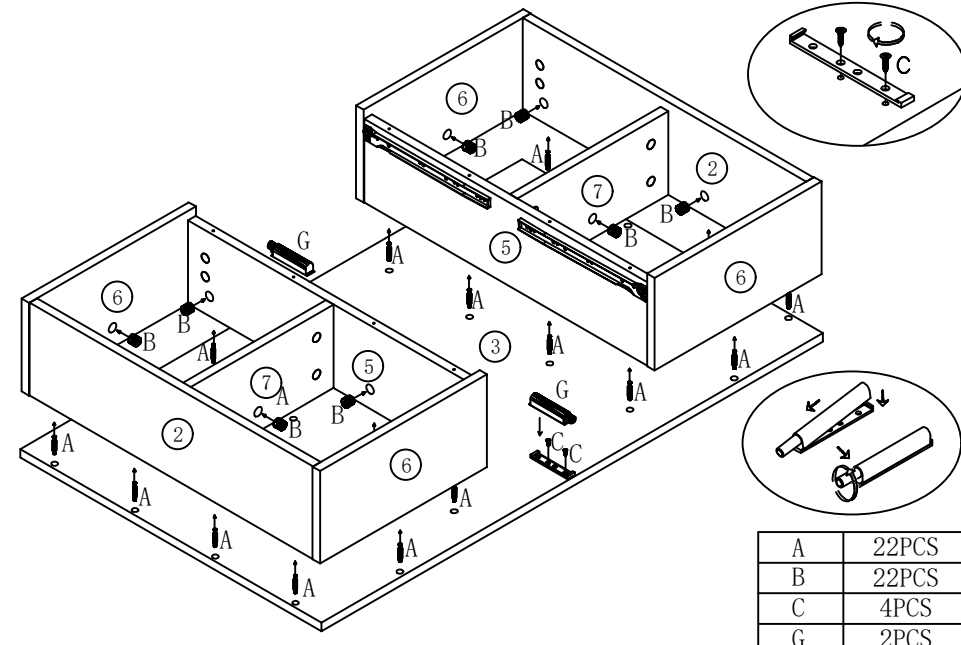
A	8PCS
B	8PCS

3



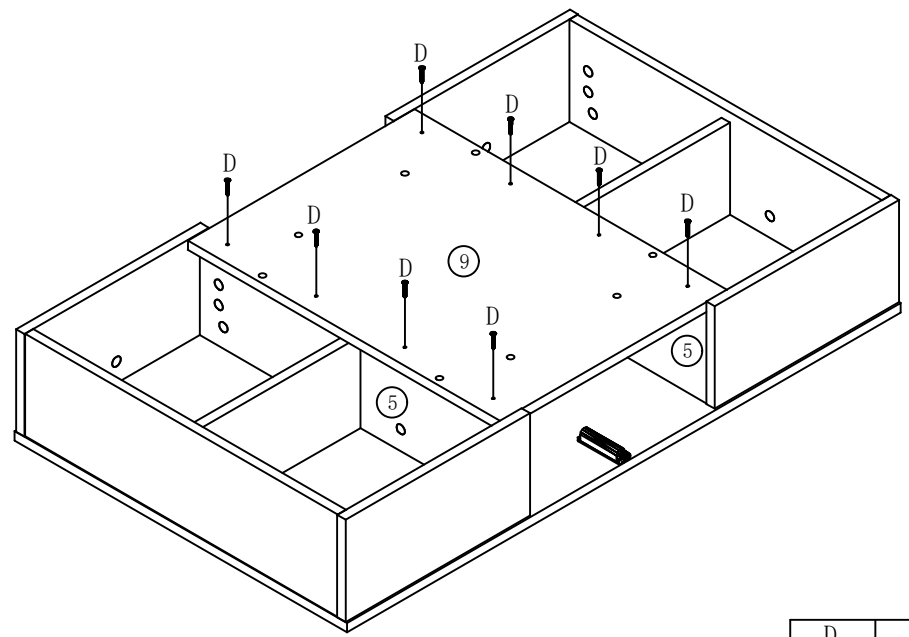
A	16PCS
B	16PCS

4



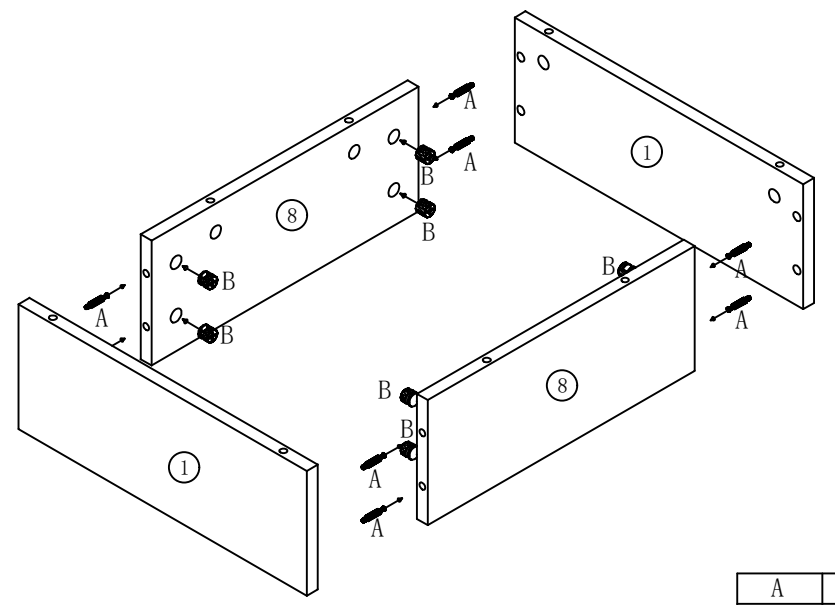
A	22PCS
B	22PCS
C	4PCS
G	2PCS

5



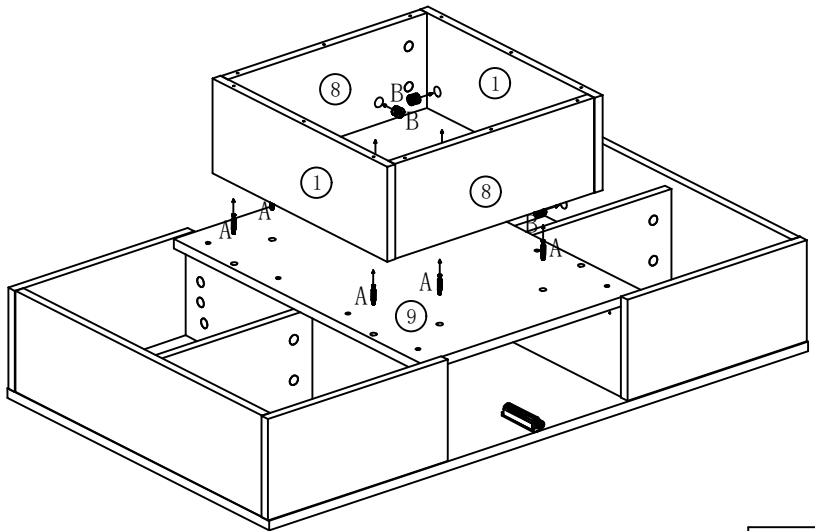
D	8PCS
---	------

6



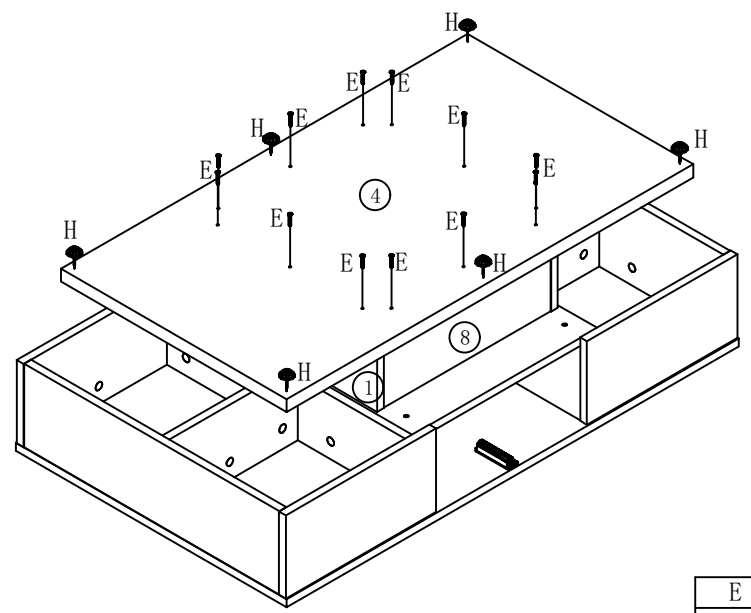
A	8PCS
B	8PCS

7



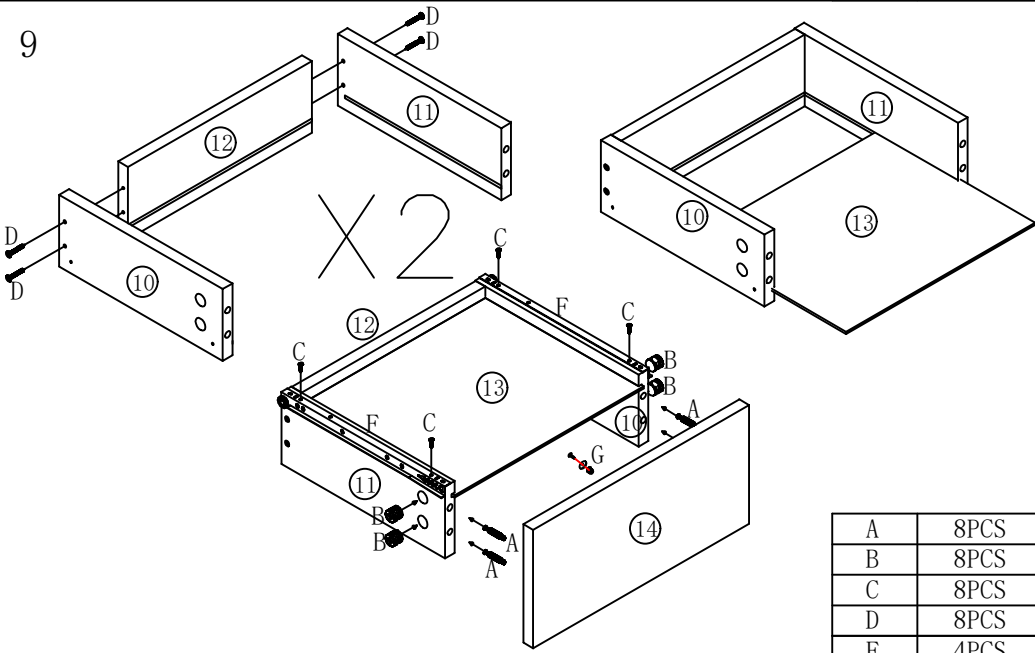
A	8PCS
B	8PCS

8



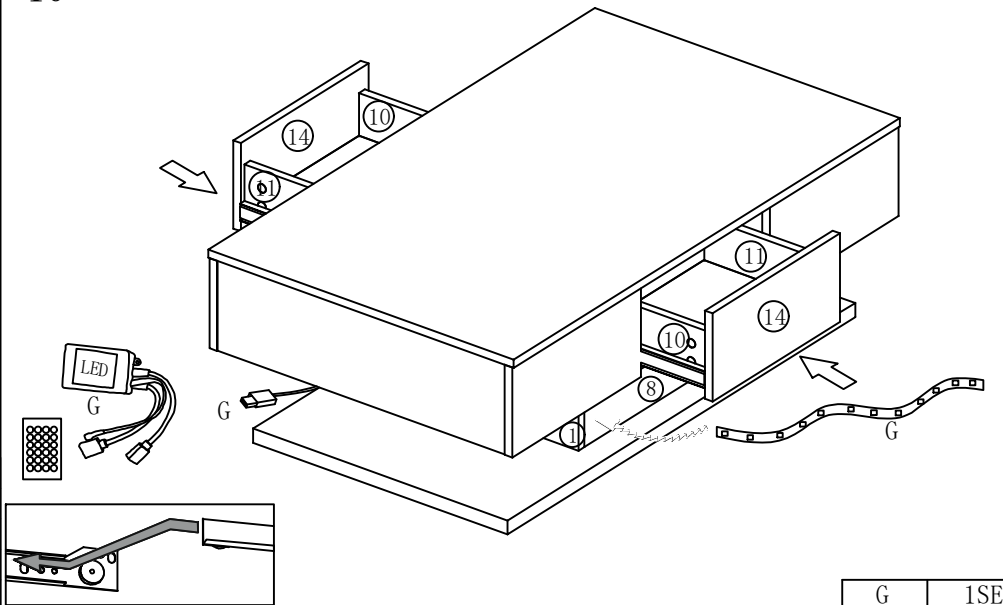
E	12PCS
H	6PCS

9



A	8PCS
B	8PCS
C	8PCS
D	8PCS
F	4PCS

10

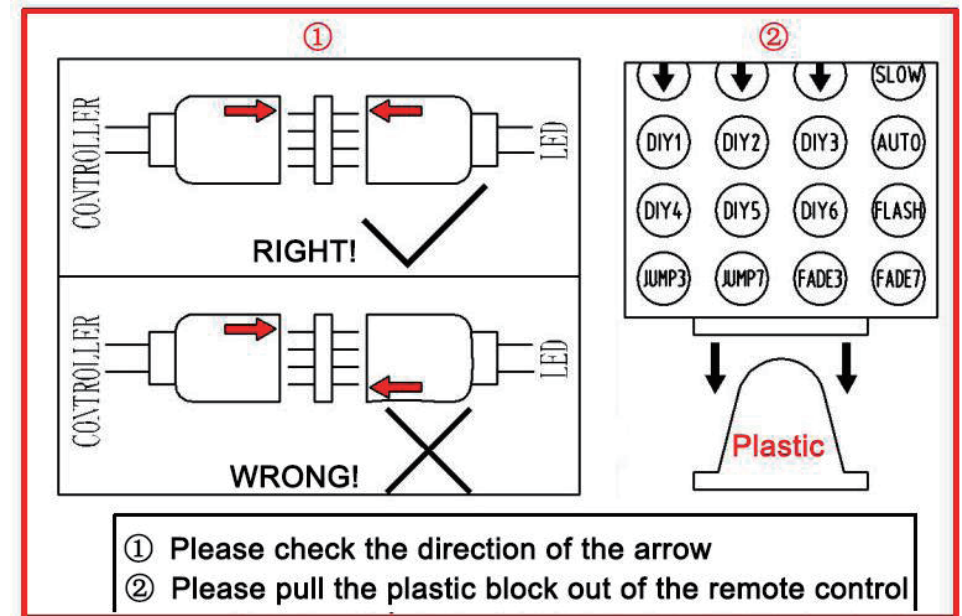


G	1SET
---	------

LED Light

If you can't let the lights work successfully, please check the following:

1. Please check the direction of the connect, try it in the opposite direction, according to the following picture.
2. Please check the remote control, it need you to tear down the plastic septum before use it.
3. Don't let the remote control too far from the receiver, make sure there is no obstruction between them.

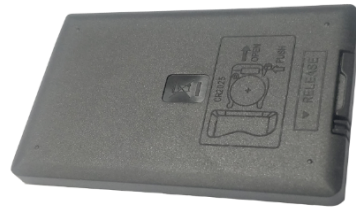


NOTE: The battery in the remote control requires you to purchase and install it yourself.
Model: CR2025 3. V

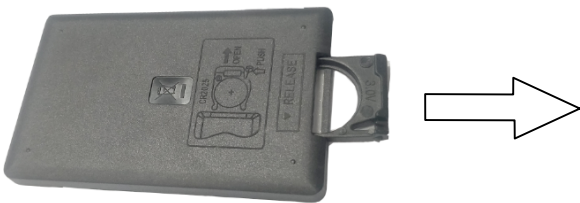
1



2



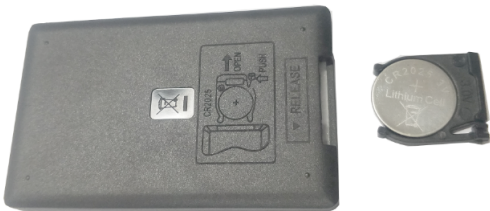
3



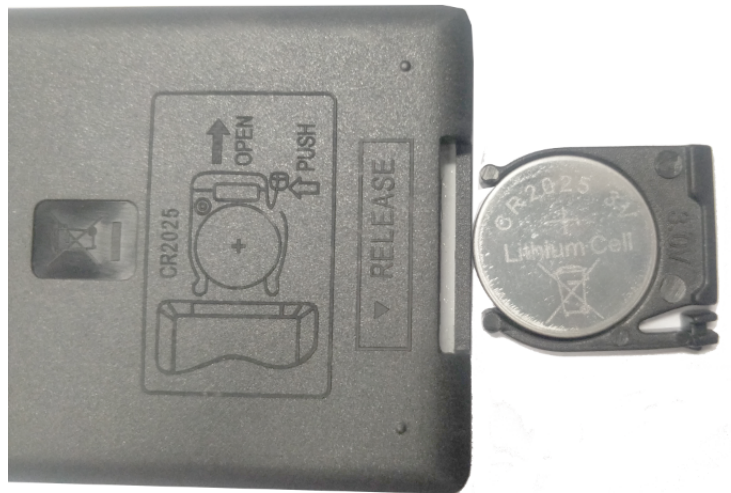
4



5

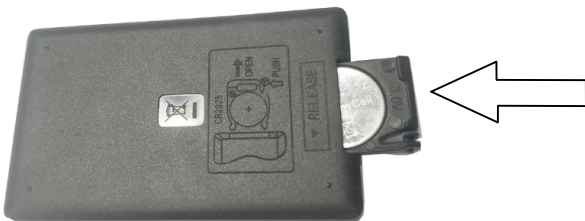


6



Modell : CR2025 3.V

7



8

