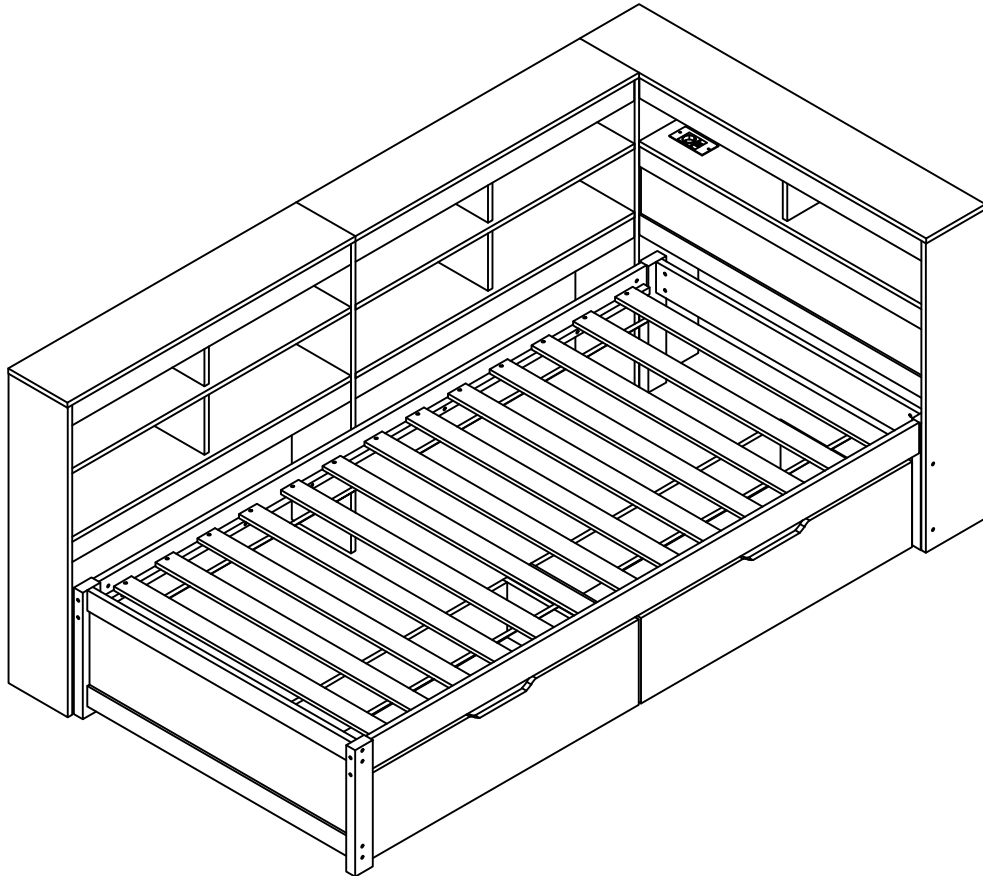
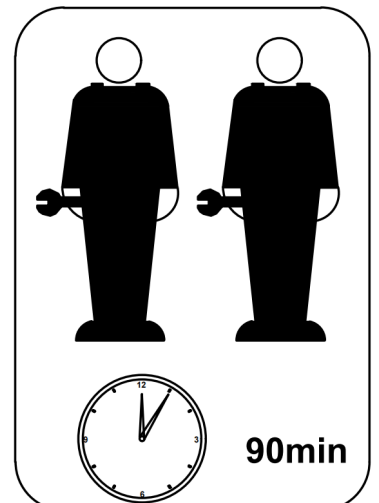
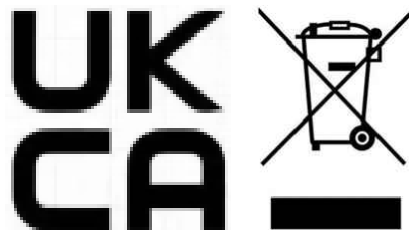


ASSEMBLY INSTRUCTIONS

ItemNumber: N652P331521
N652P331522
N652P331523



This set comes in 3 boxes. If you do not receive a full 3 boxes, please contact our customer service.



INSTRUCTIONS

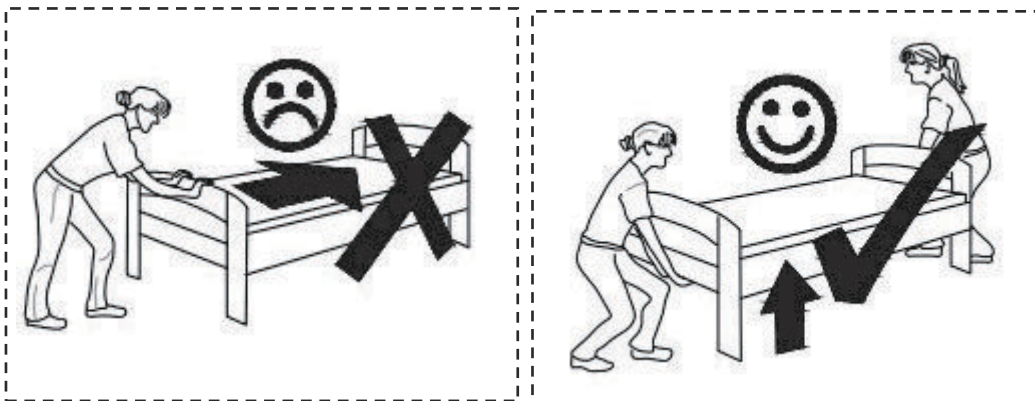
IMPORTANT-READ CAREFULLY-RETAIN FOR FUTURE REFERENCE

- a) **WARNING** -Children can become trapped between the bed and the wall, the adjoining pieces of furniture (e.g. cupboards) and the like. To avoid risk of serious injury the distance between the safety barrier and the adjoining structure shall not exceed 90 mm or shall be more than 230 mm.
- b) **WARNING**-Do not use the bed if any structural part is broken or missing; Replacement parts are between requested from the manufacturer or the store.
- c) **WARNING**-Do not climb or wiggle on any non-designated structures.
- d) it is imperative to always follow the installation instructions and manufacturer's use.
- e) The recommended size of the mattress to be used with the bed is 190cmx90cm.
- f) It is necessary to ventilate the room in order to maintain a low level moisture and prevent mold growth in the bed and its periphery.
- g) Joining devices should always be tightened properly and regularly verified. Tighten if necessary.

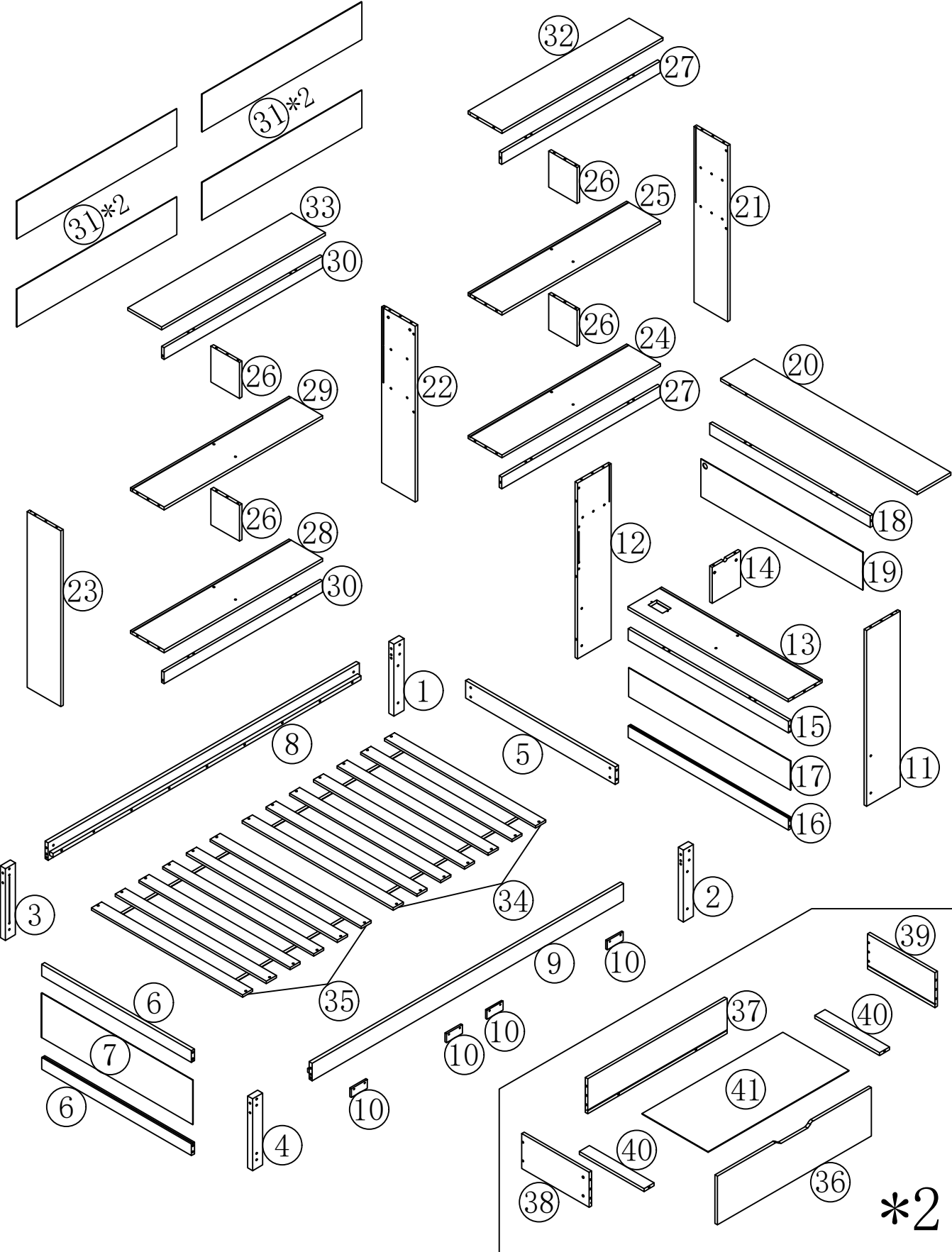
English

IMPORTANT ! KEEP FOR FUTURE REFERENCE : READ CAREFULLY

- To be assembled by an adult. Assembly must be checked by an adult before use
- **WARNING !** Keep all screws, small parts and plastic bags out of the reach of children
- Properly identify all parts before assembling
- Never use your item if any of its parts are broken or missing
- Should any problems arise, please contact our After Sales Service
- Manufacturer's instructions shall be followed at all times
- Care: Clean with a soft, dry cloth. In case of larger stains, carefully rub with a slightly damp, non-abrasive sponge
- Avoid the risk of fire by not placing furniture near sources of ignition or hot items
- Do not jump on the bed



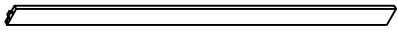
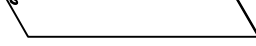


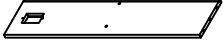
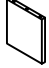

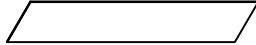
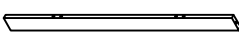

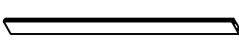




ASSEMBLY INSTRUCTIONS

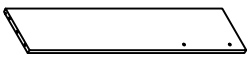
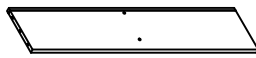
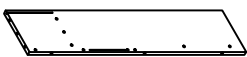


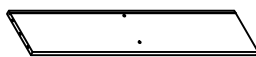
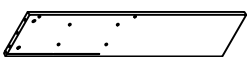
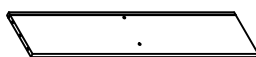
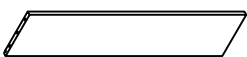
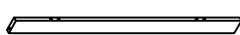
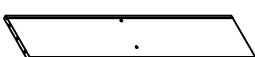
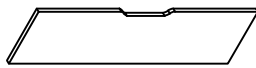


ASSEMBLY INSTRUCTIONS

N652P331521

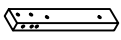
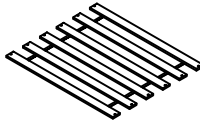
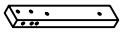
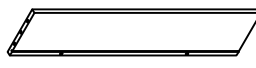
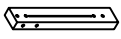
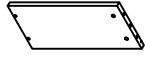
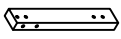

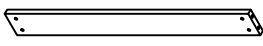
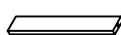
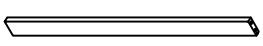
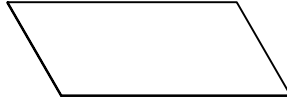
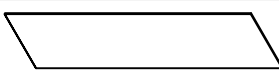
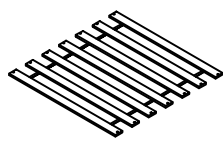
8		1PC	18		1PC
9		1PC	19		1PC
10		4PCS	20		1PC
13		1PC	26		4PCS
14		1PC	31		4PCS
15		1PC	32		1PC
16		1PC	33		1PC
17		1PC			

N652P331522









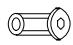





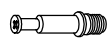






11		1PC	25		1PC
12		1PC	27		2PCS
21		1PC	28		1PC
22		1PC	29		1PC
23		1PC	30		2PCS
24		1PC	36		2PCS

ASSEMBLY INSTRUCTIONS

N652P331523

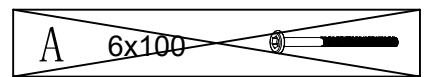
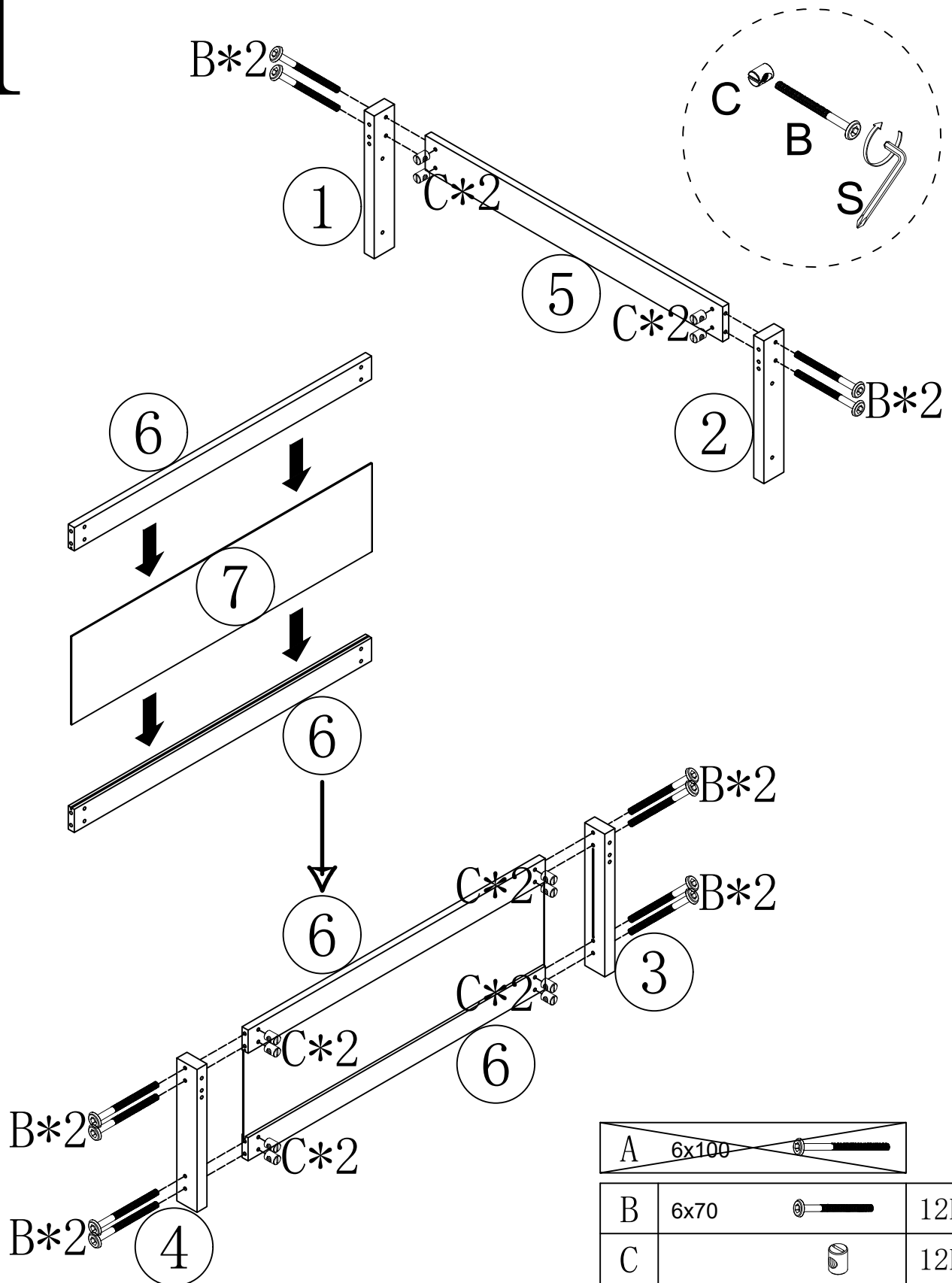
1		1PC	35		1PC
2		1PC	37		2PCS
3		1PC	38		2PCS
4		1PC	39		2PCS
5		1PC	40		4PCS
6		2PCS	41		2PCS
7		1PC			
34		1PC			

N652P331523

A	6x100		8PCS	L	5x40		26PCS
B	6x70		12PCS	M	3.5x14		30PCS
C			20PCS	N	3.5x16		16PCS
D	Ø8x30		41PCS	O			8PCS
E	6x15		4PCS	P	4x20		8PCS
F	6x35		4PCS	Q	4x25		26PCS
G			2PCS	S	M4		2PCS
H			83PCS	T			1PC
I			83PCS	U			1PC
J	3x14		4PCS	V			20PCS
K			2PCS				

ASSEMBLY INSTRUCTIONS

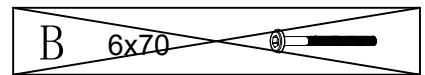
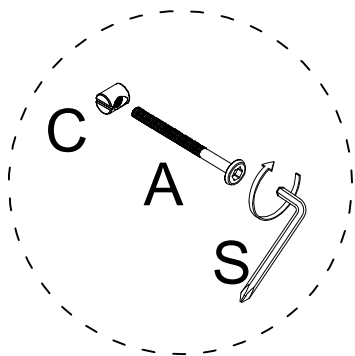
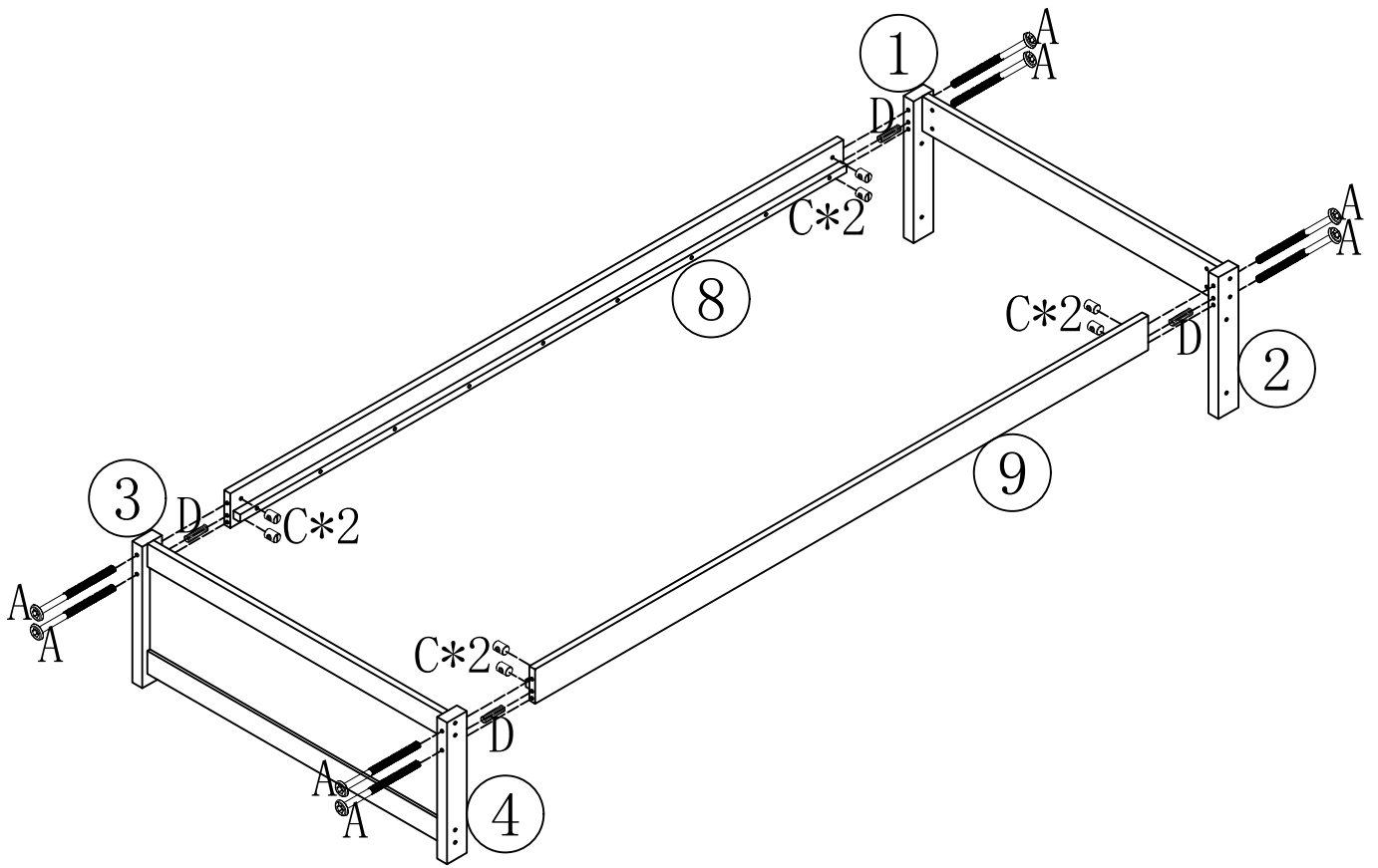
1



B	6x70		12PCS
C			12PCS
S	M4		1PC

ASSEMBLY INSTRUCTIONS

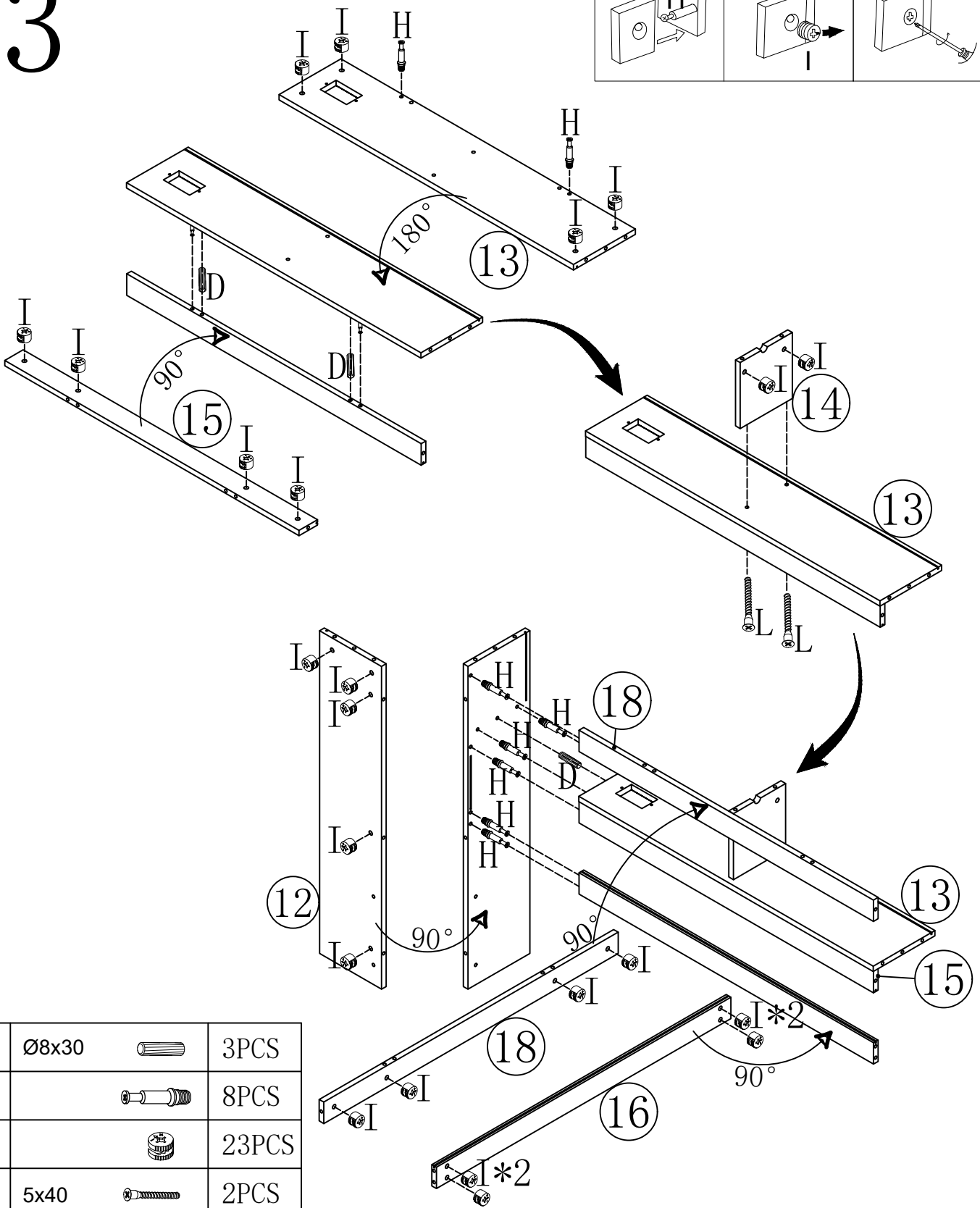
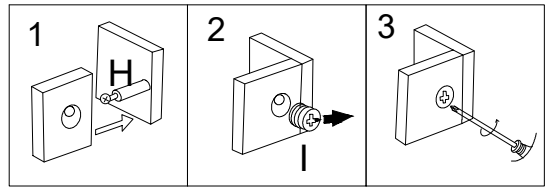
2


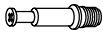





A	6x100		8PCS
C			8PCS
D	Ø8x30		4PCS
S	M4		1PC

ASSEMBLY INSTRUCTIONS

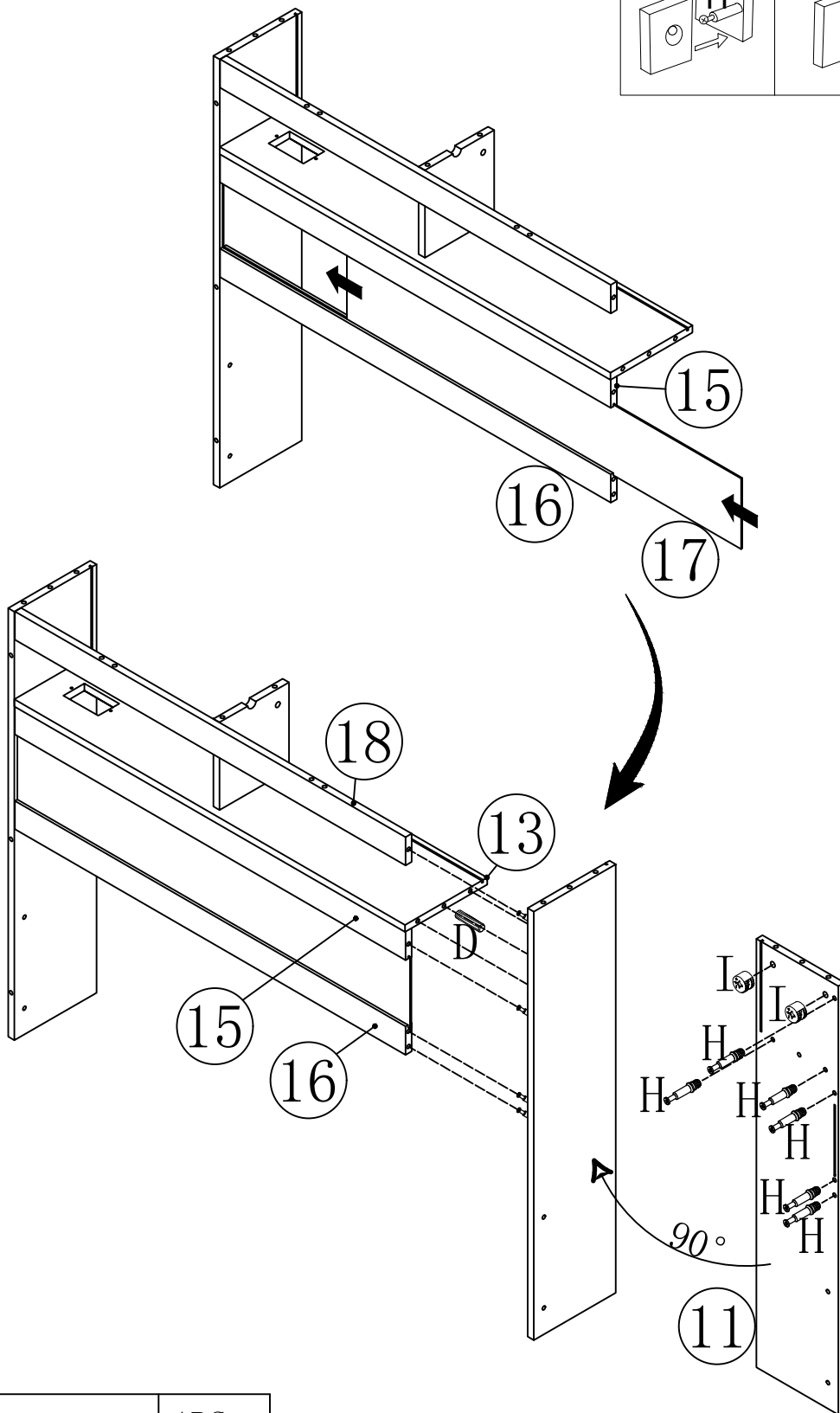
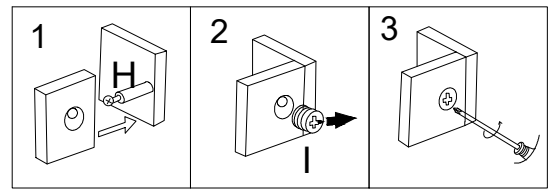
3


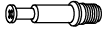




D	Ø8x30		3PCS
H			8PCS
I			23PCS
L	5x40		2PCS
S	M4		1PC

ASSEMBLY INSTRUCTIONS

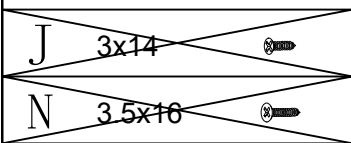
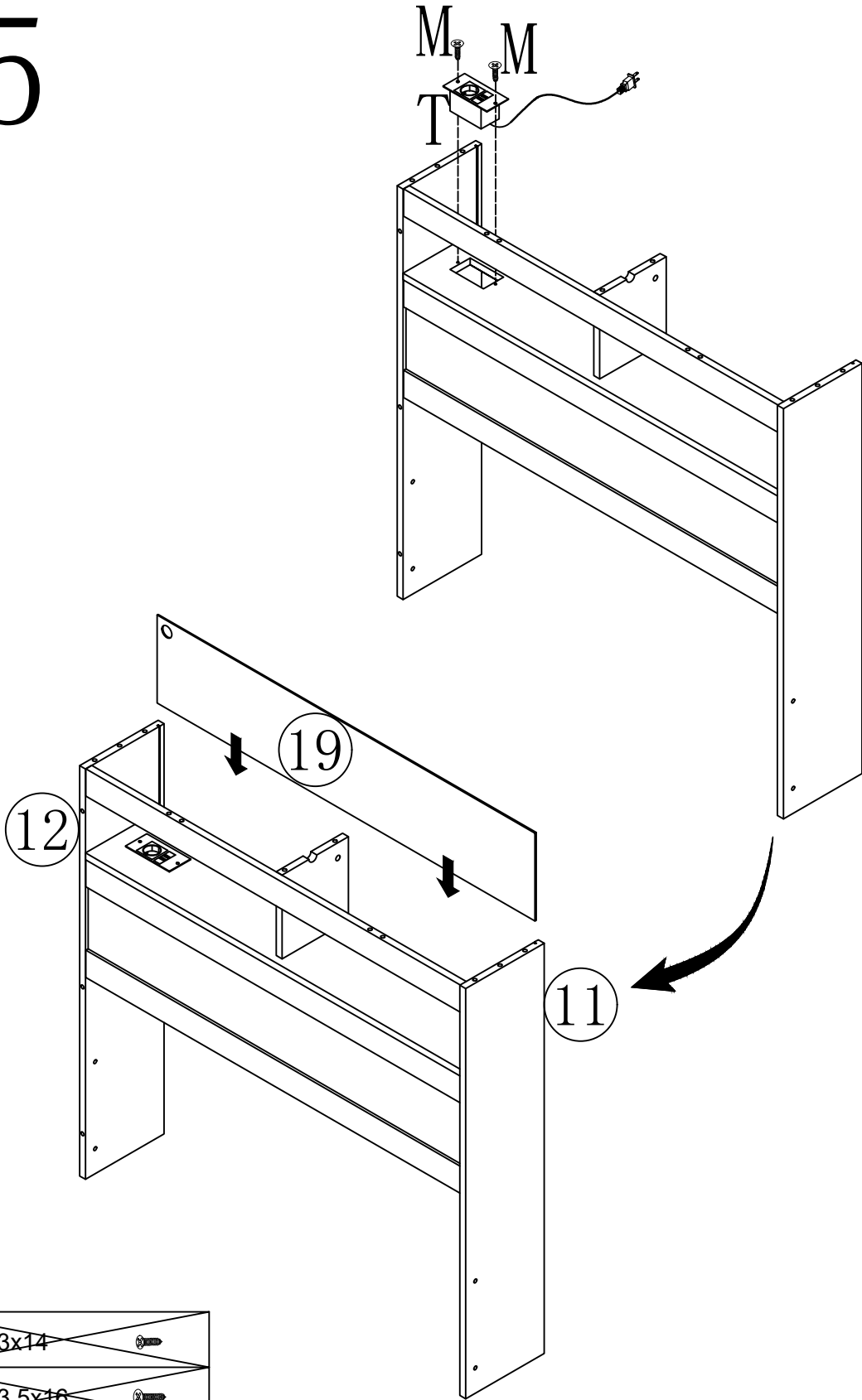
4



D	Ø8x30		1PC							
H			6PCS	I		2PCS	S	M4		1PC

ASSEMBLY INSTRUCTIONS

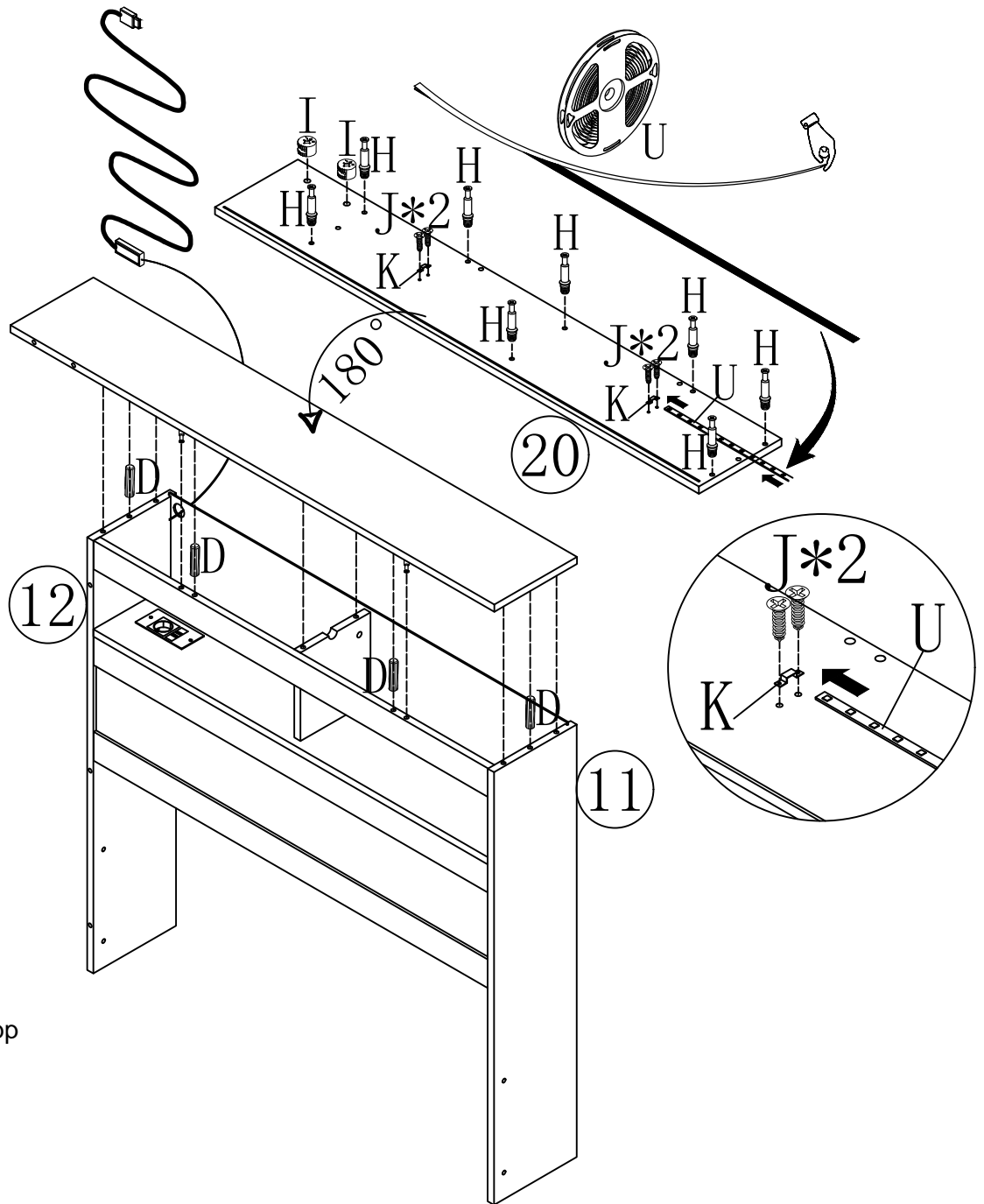
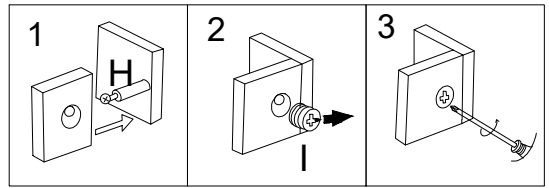
5



M	3.5x14		2PCS	T		1PC
---	--------	--	------	---	--	-----

ASSEMBLY INSTRUCTIONS

6

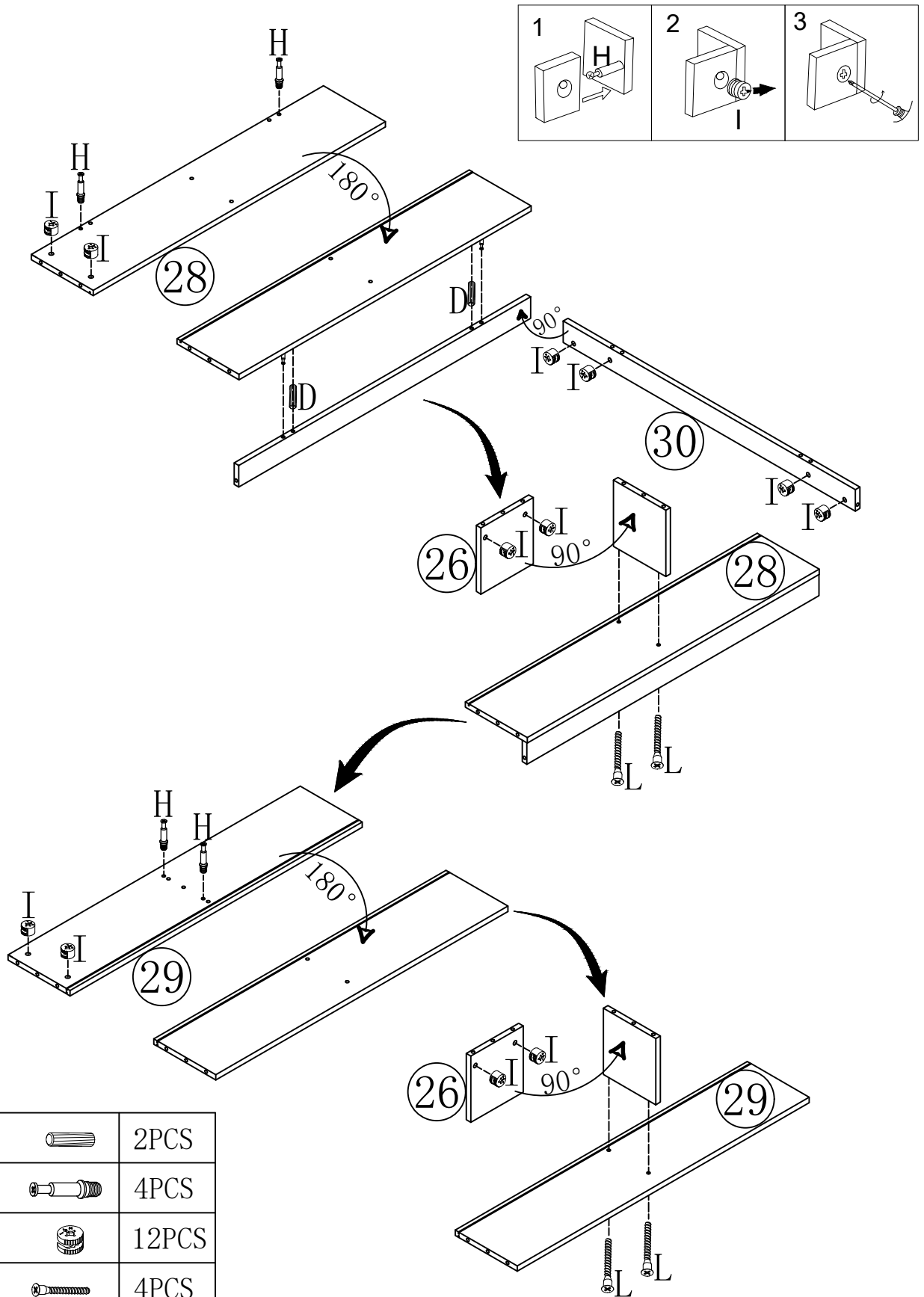



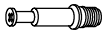



Scan to download App
control the Led light.

D	Ø8x30		4PCS	M 3.5x14		N 3.5x16				
H			8PCS	I		2PCS	J	3x14		4PCS
K			2PCS	U		1PC	S	M4		1PC

ASSEMBLY INSTRUCTIONS

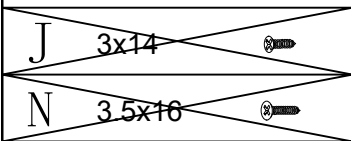
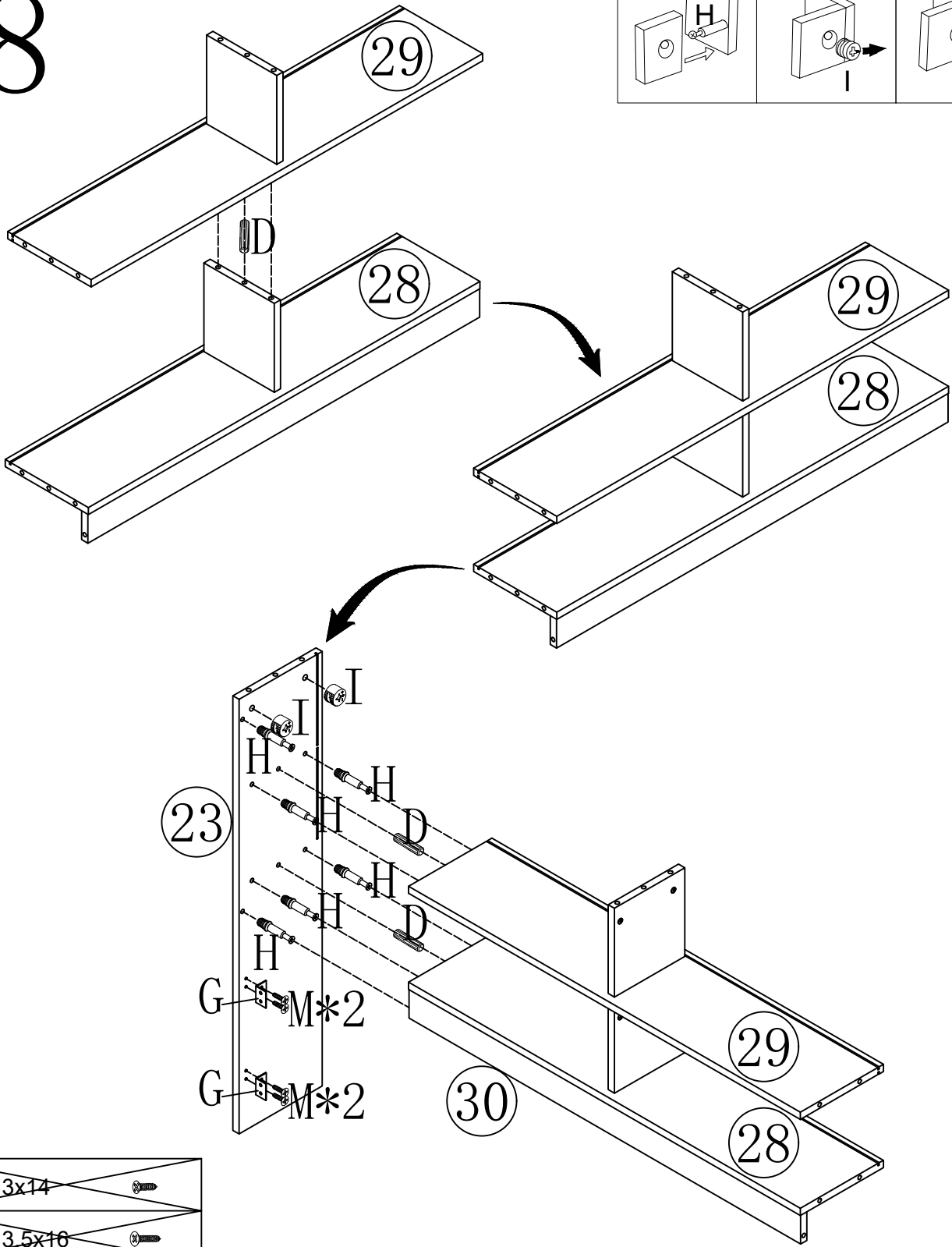
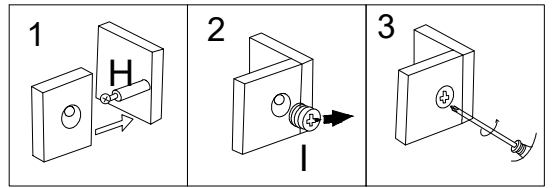
7



D	Ø8x30		2PCS
H			4PCS
I			12PCS
L	5x40		4PCS
S	M4		1PC

ASSEMBLY INSTRUCTIONS

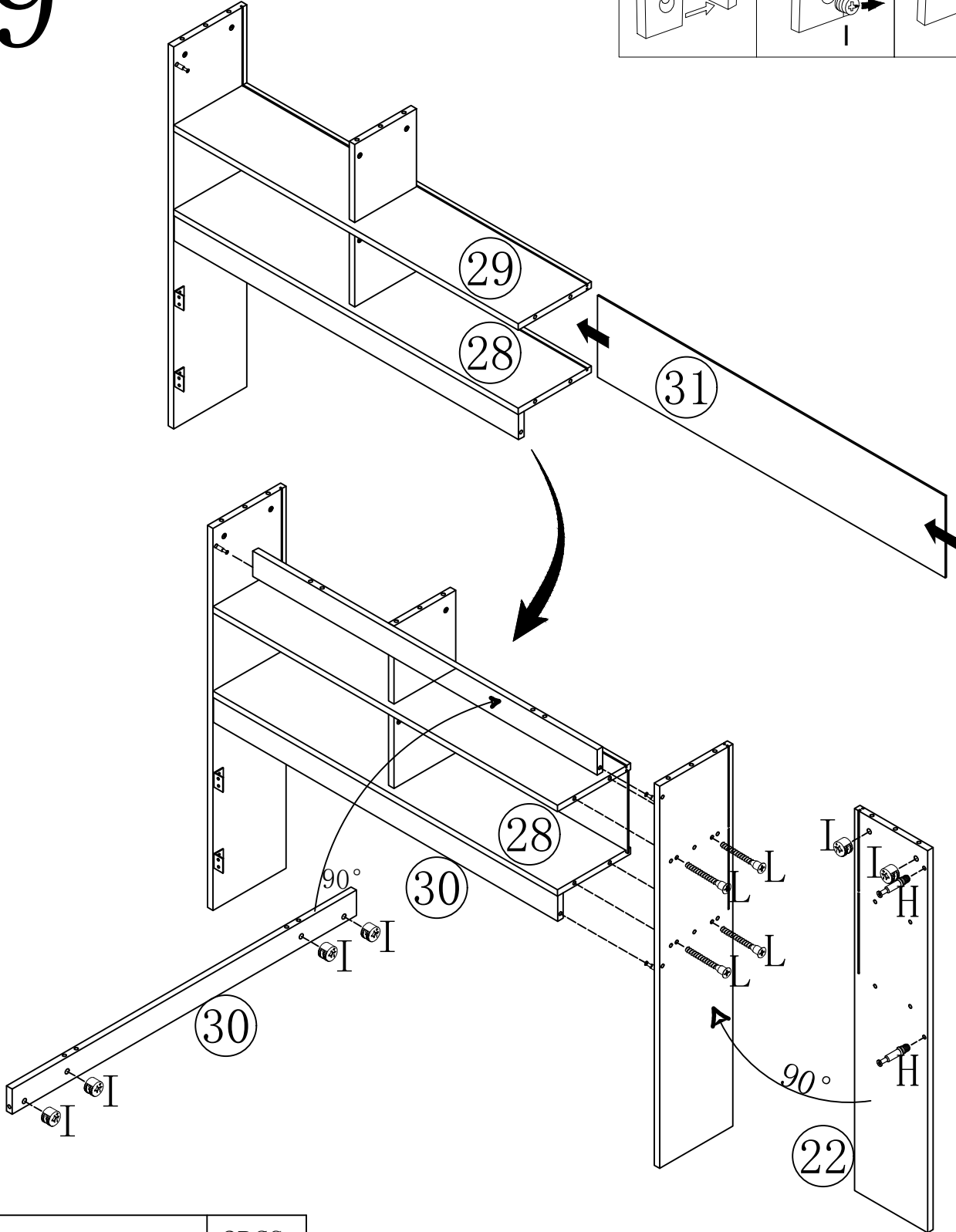
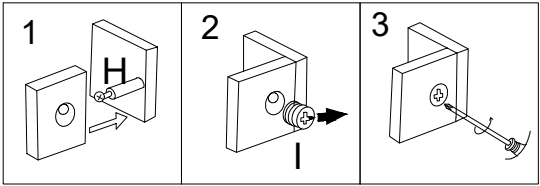
8



D	Ø8x30		3PCS	H		6PCS	I		2PCS		
G			2PCS	M	3.5x14		4PCS	S	M4		1PC

ASSEMBLY INSTRUCTIONS

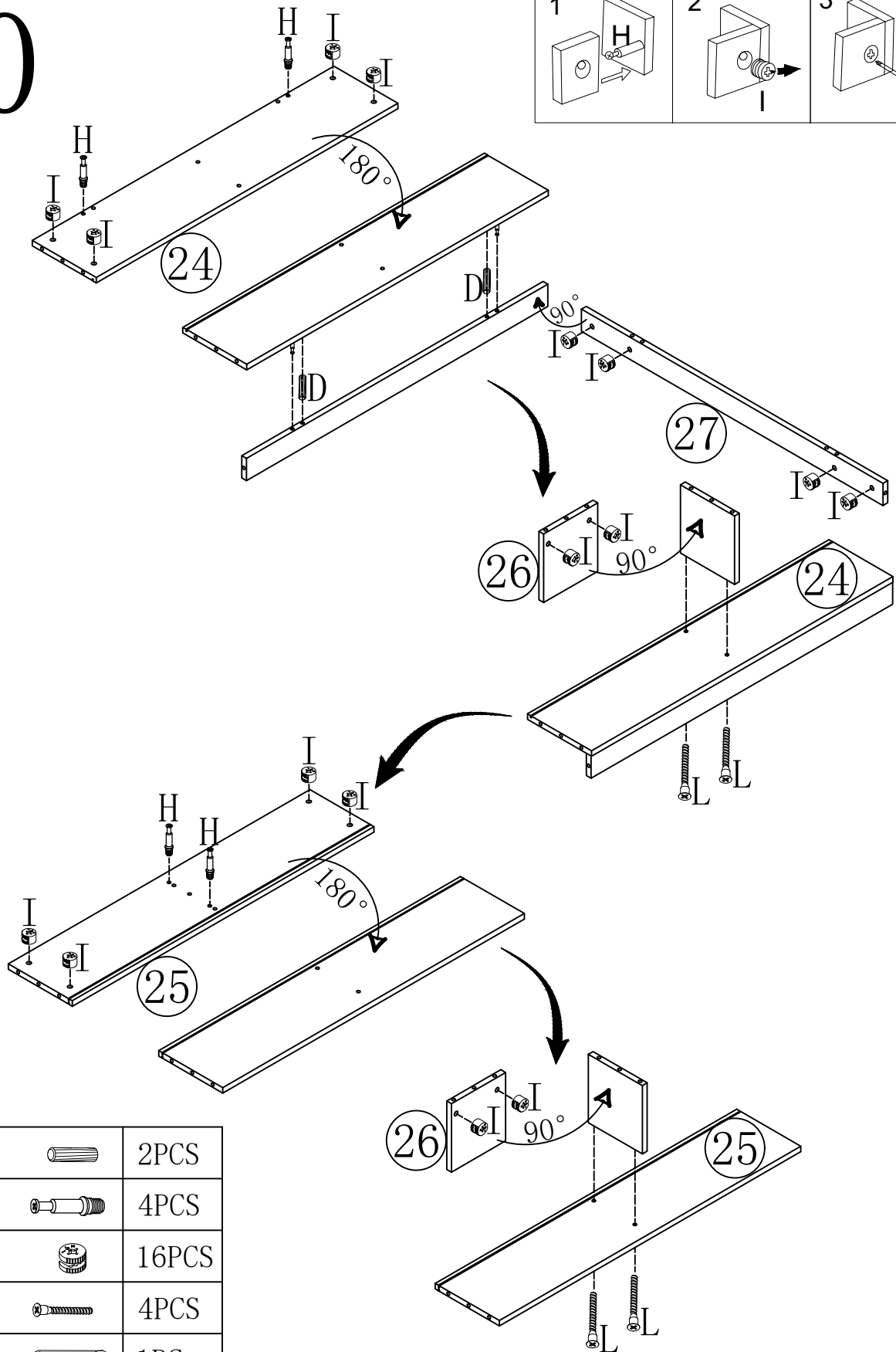
9


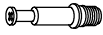





H		2PCS								
I		6PCS	L	5x40		4PCS	S	M4		1PC

ASSEMBLY INSTRUCTIONS

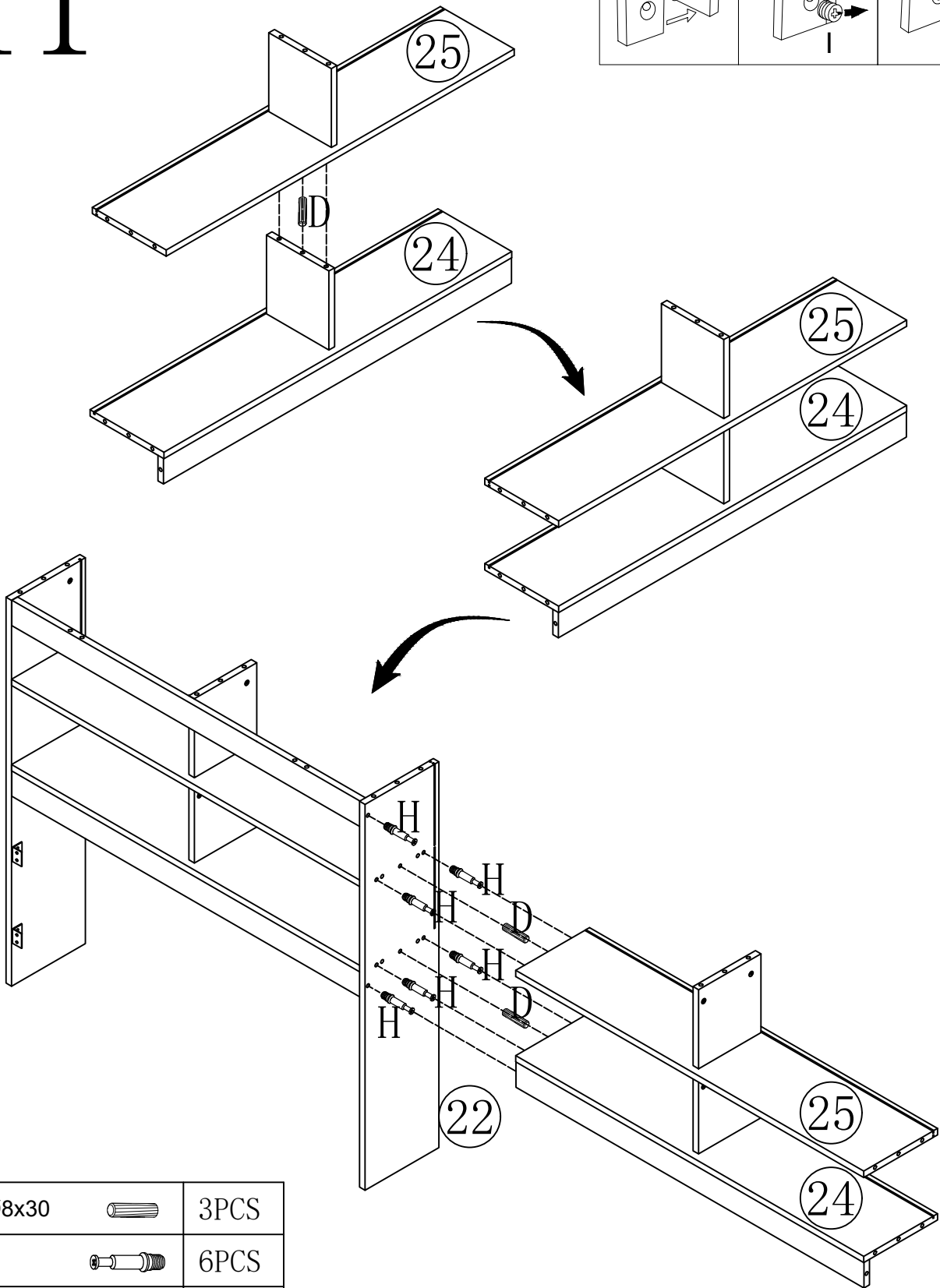
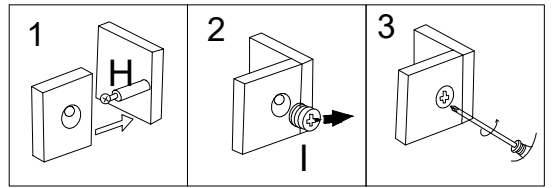
10


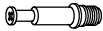



D	Ø8x30		2PCS
H			4PCS
I			16PCS
L	5x40		4PCS
S	M4		1PC

ASSEMBLY INSTRUCTIONS

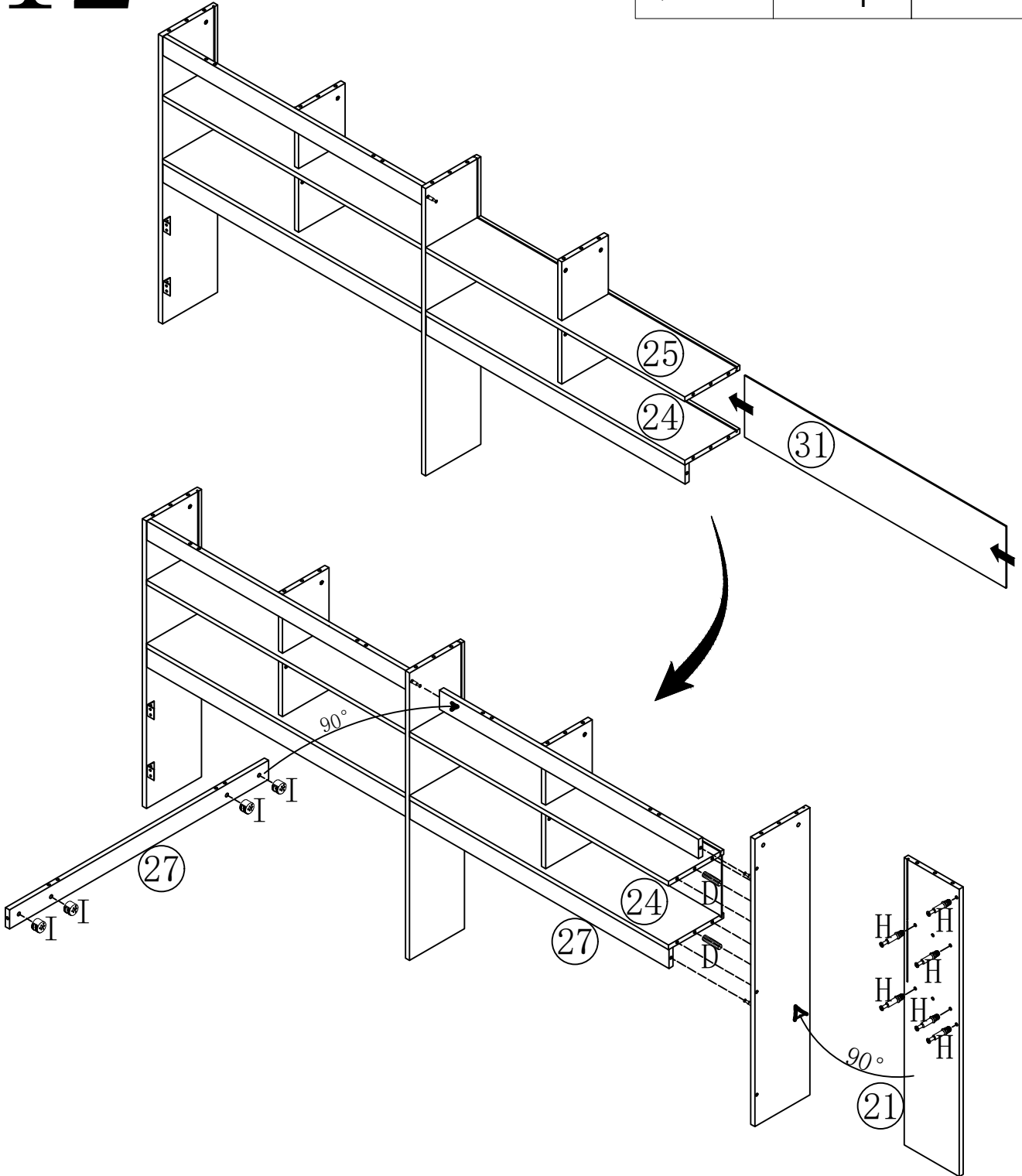
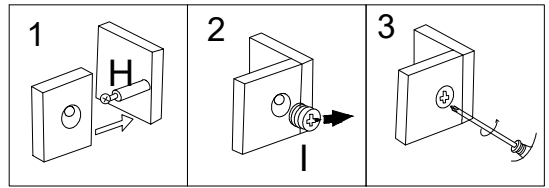
11


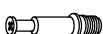




D	Ø8x30		3PCS
H			6PCS
S	M4		1PC

ASSEMBLY INSTRUCTIONS

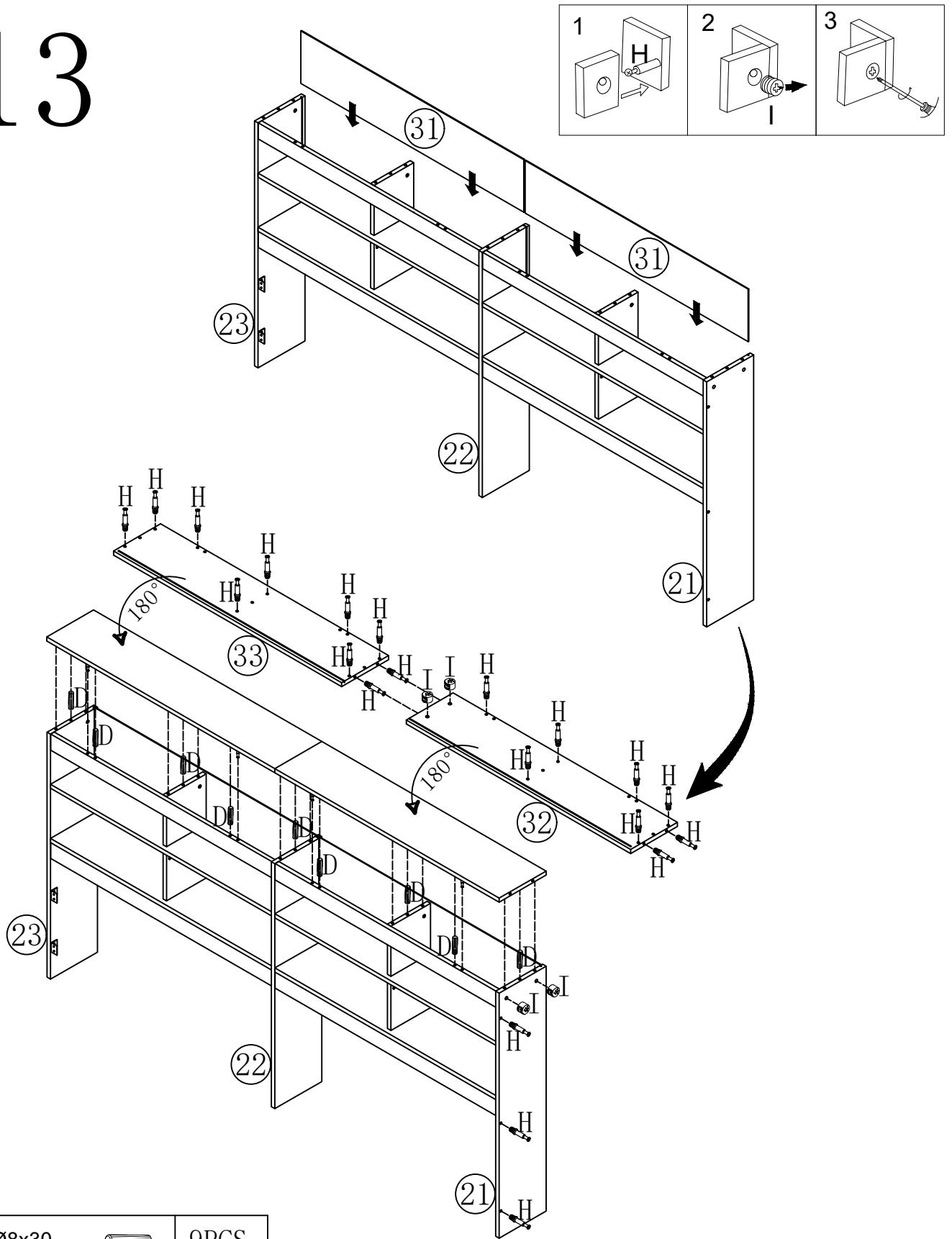
12


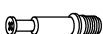




D	Ø8x30		2PCS							
H			6PCS	I		4PCS	S	M4		1PC

ASSEMBLY INSTRUCTIONS

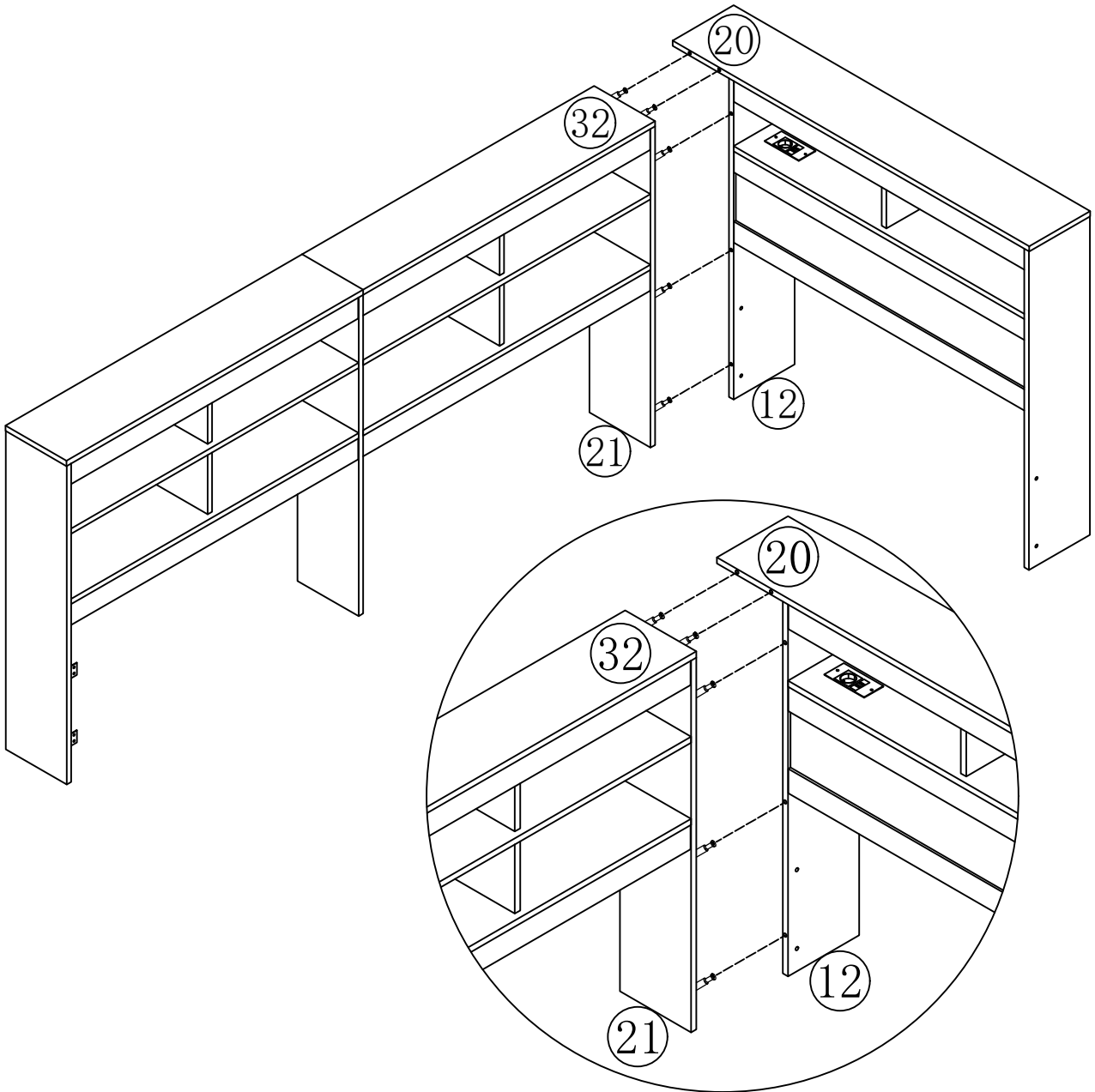
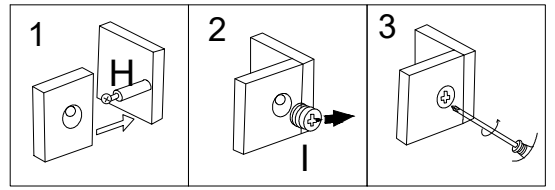
13



D	Ø8x30		9PCS							
H			21PCS	I		4PCS	S	M4		1PC

ASSEMBLY INSTRUCTIONS

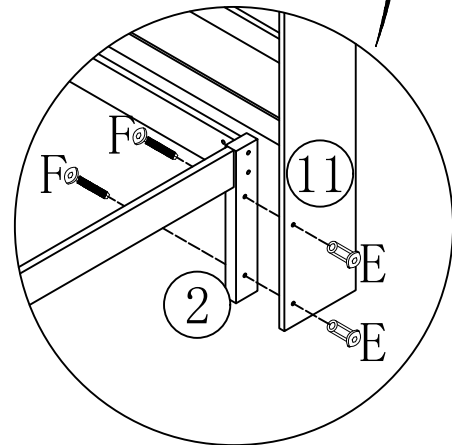
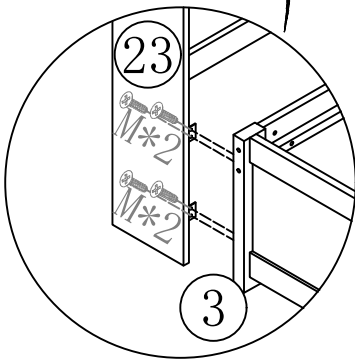
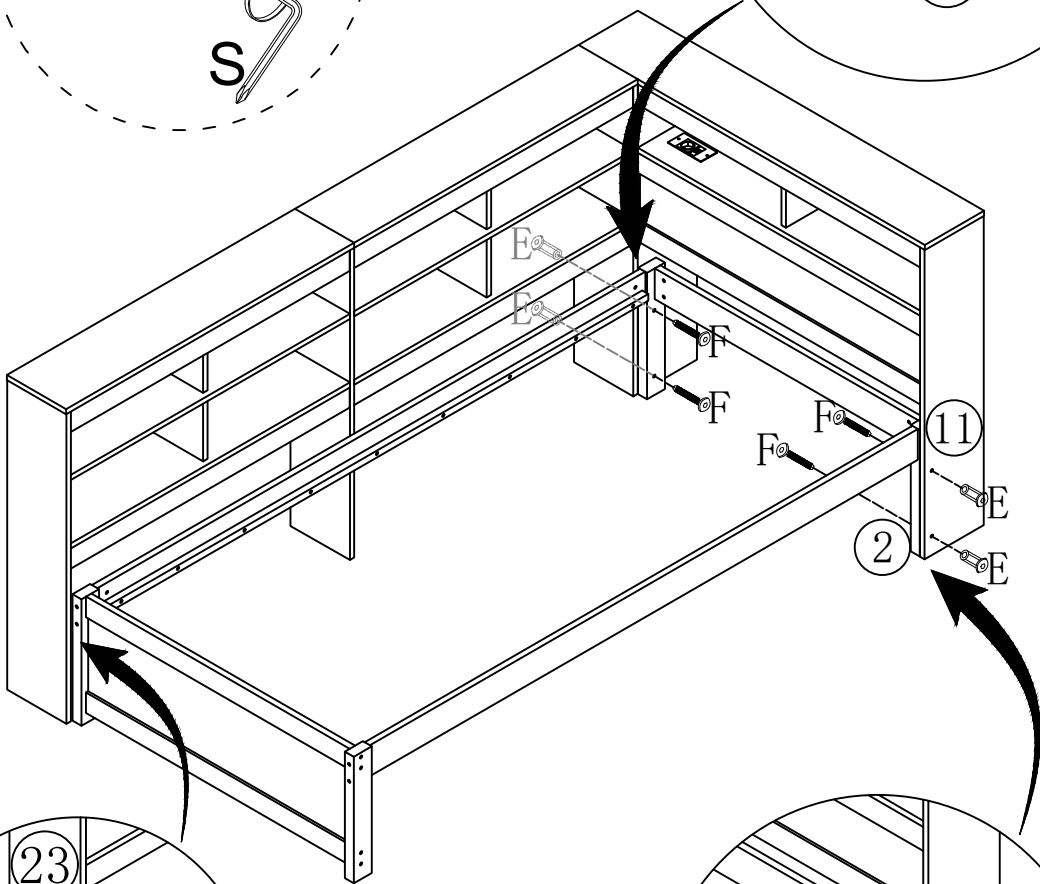
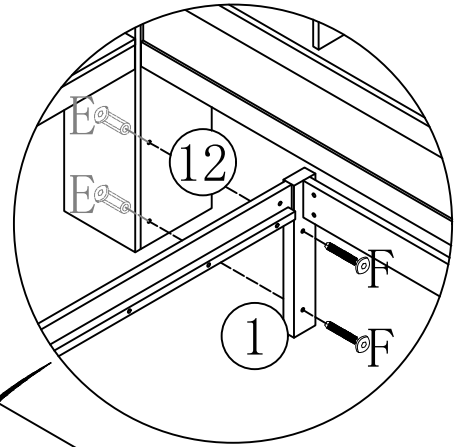
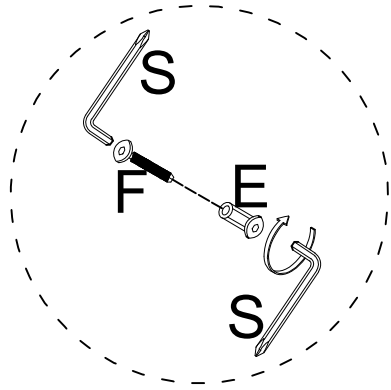
14







S	M4		1PC
---	----	---	-----

ASSEMBLY INSTRUCTIONS

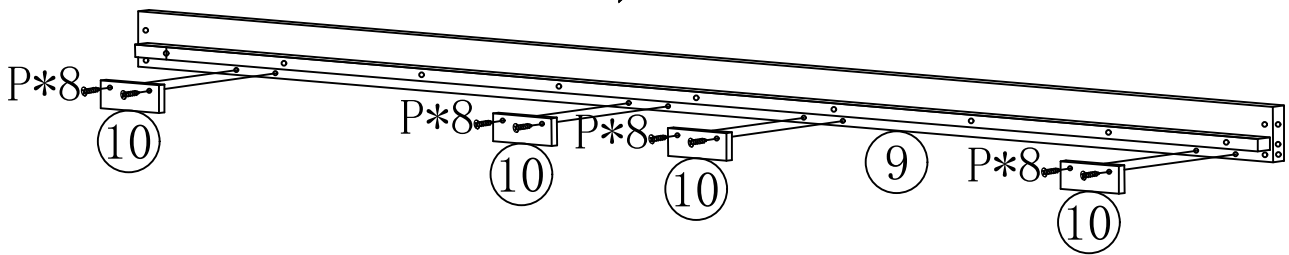
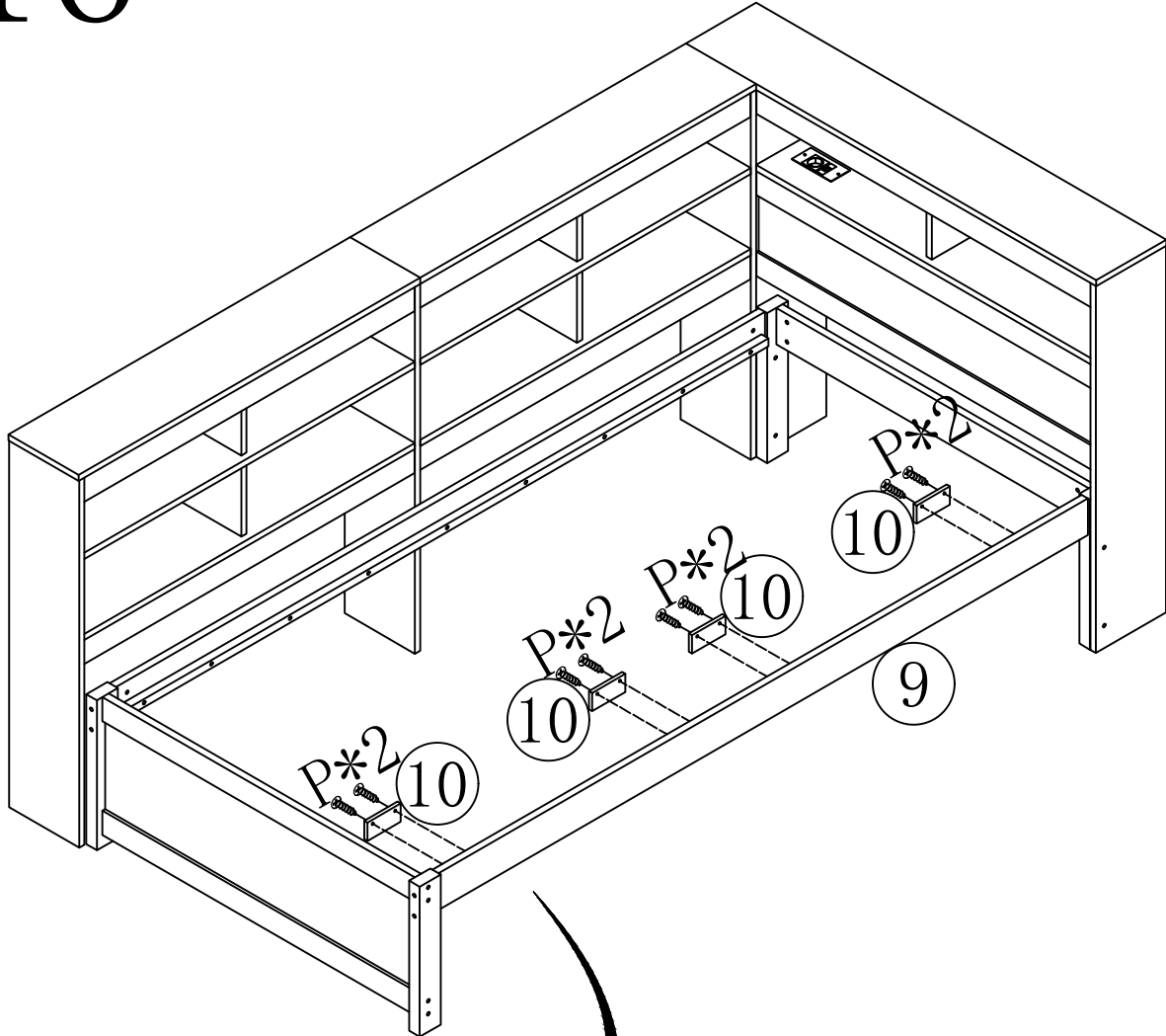
15



M	3.5x14		4PCS								
E	6x15		4PCS	F	6x35		4PCS	S	M4		2PCS

ASSEMBLY INSTRUCTIONS

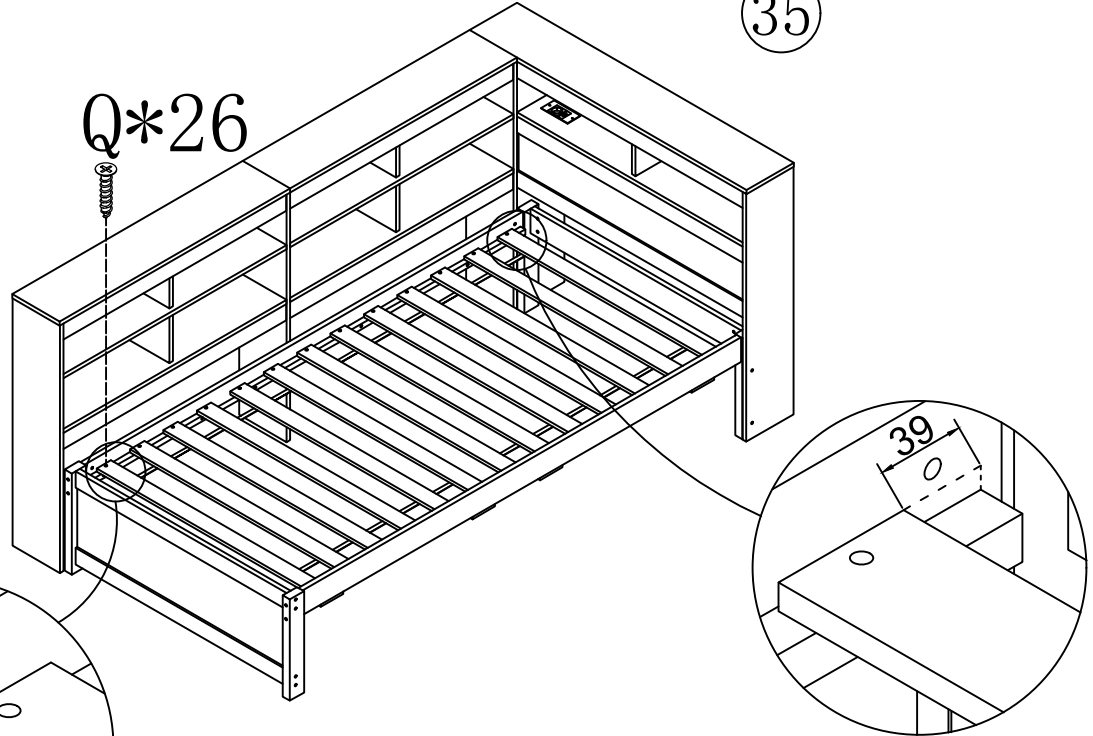
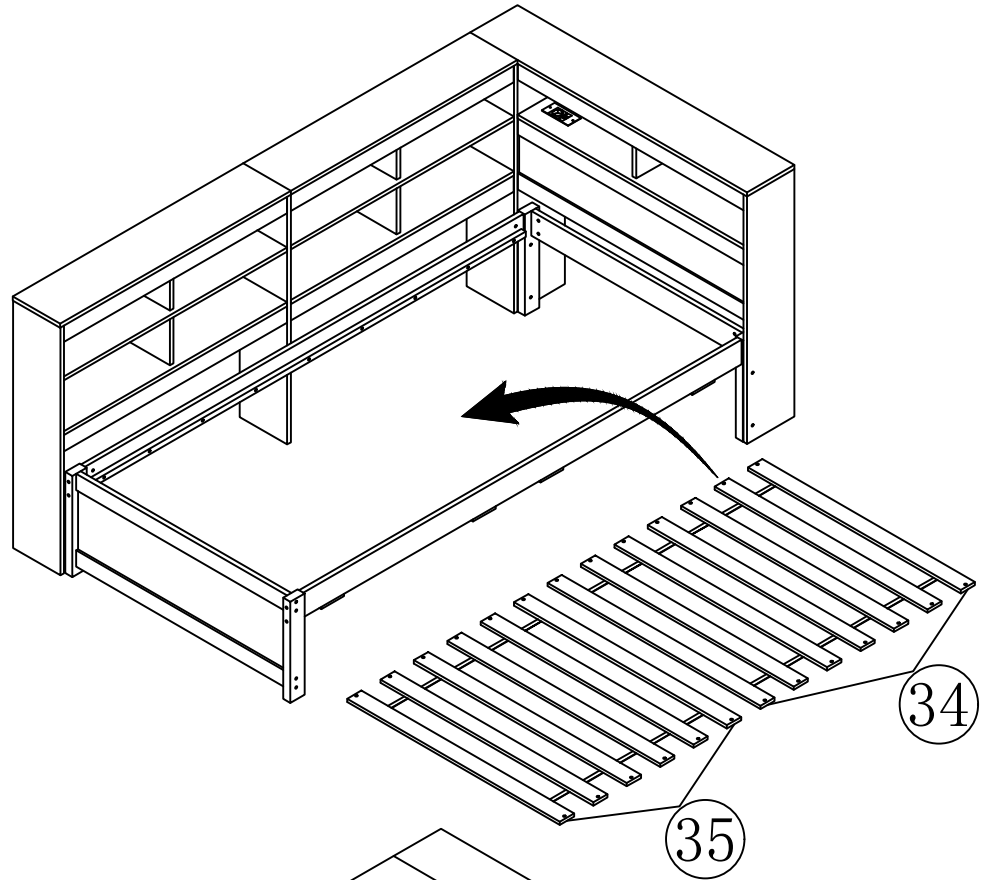
16



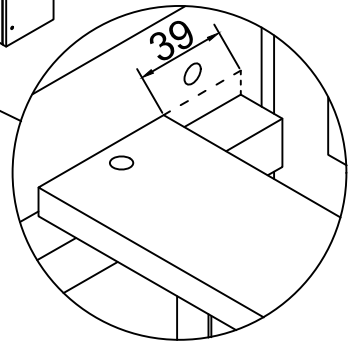
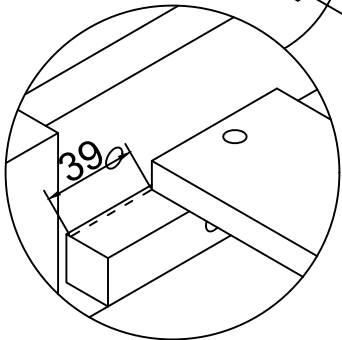
P	4x20		8PCS	Q	4x25	
---	------	---	------	---	------	---

ASSEMBLY INSTRUCTIONS

17



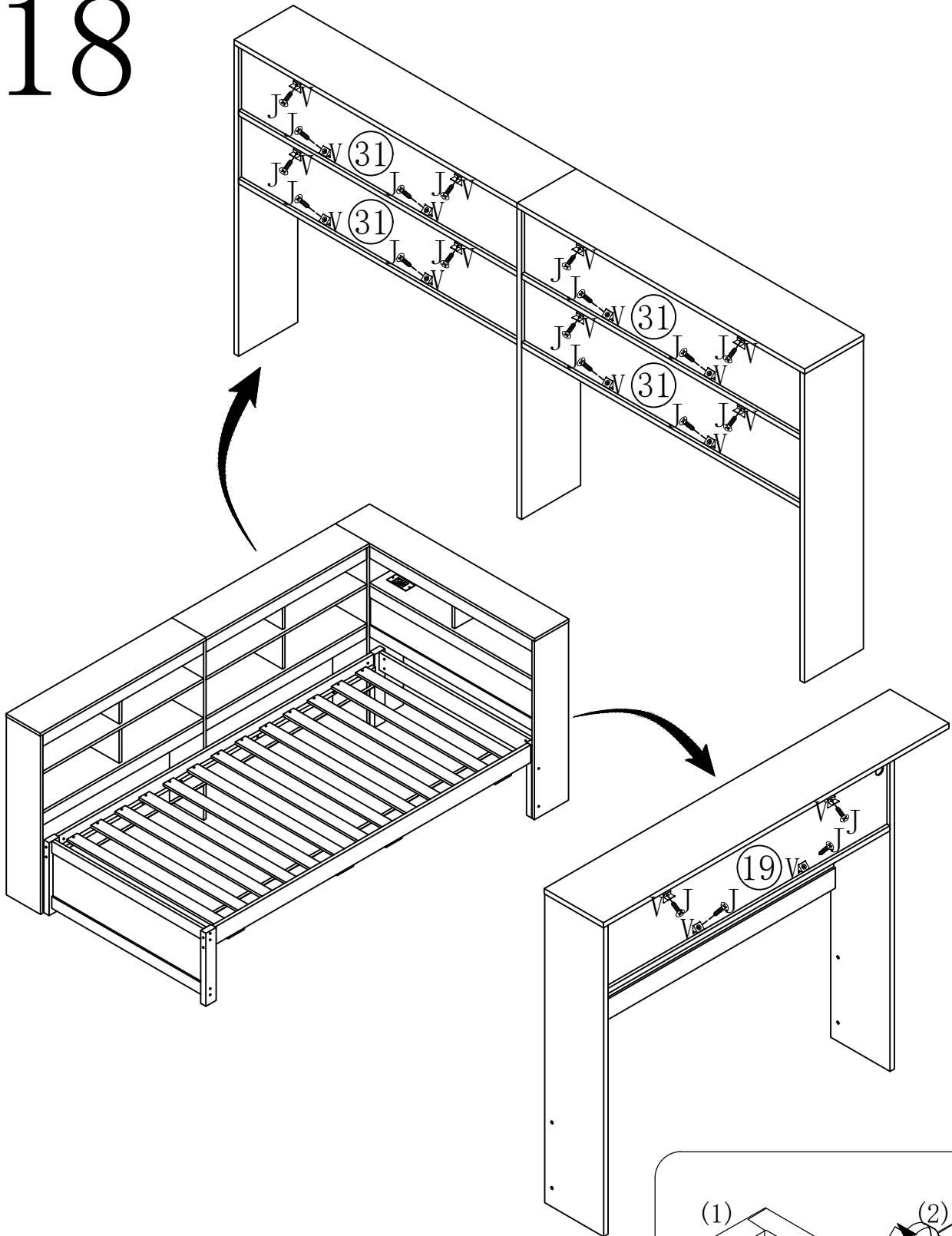
Q*26



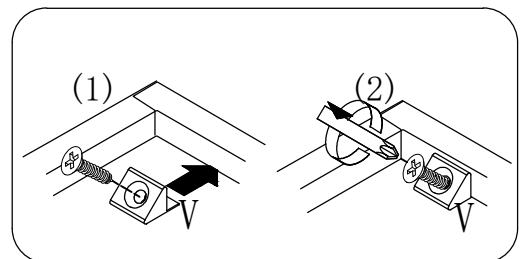
Q	4x25		26PCS	P	4x20	
---	------	---	-------	---	------	---

ASSEMBLY INSTRUCTIONS

18

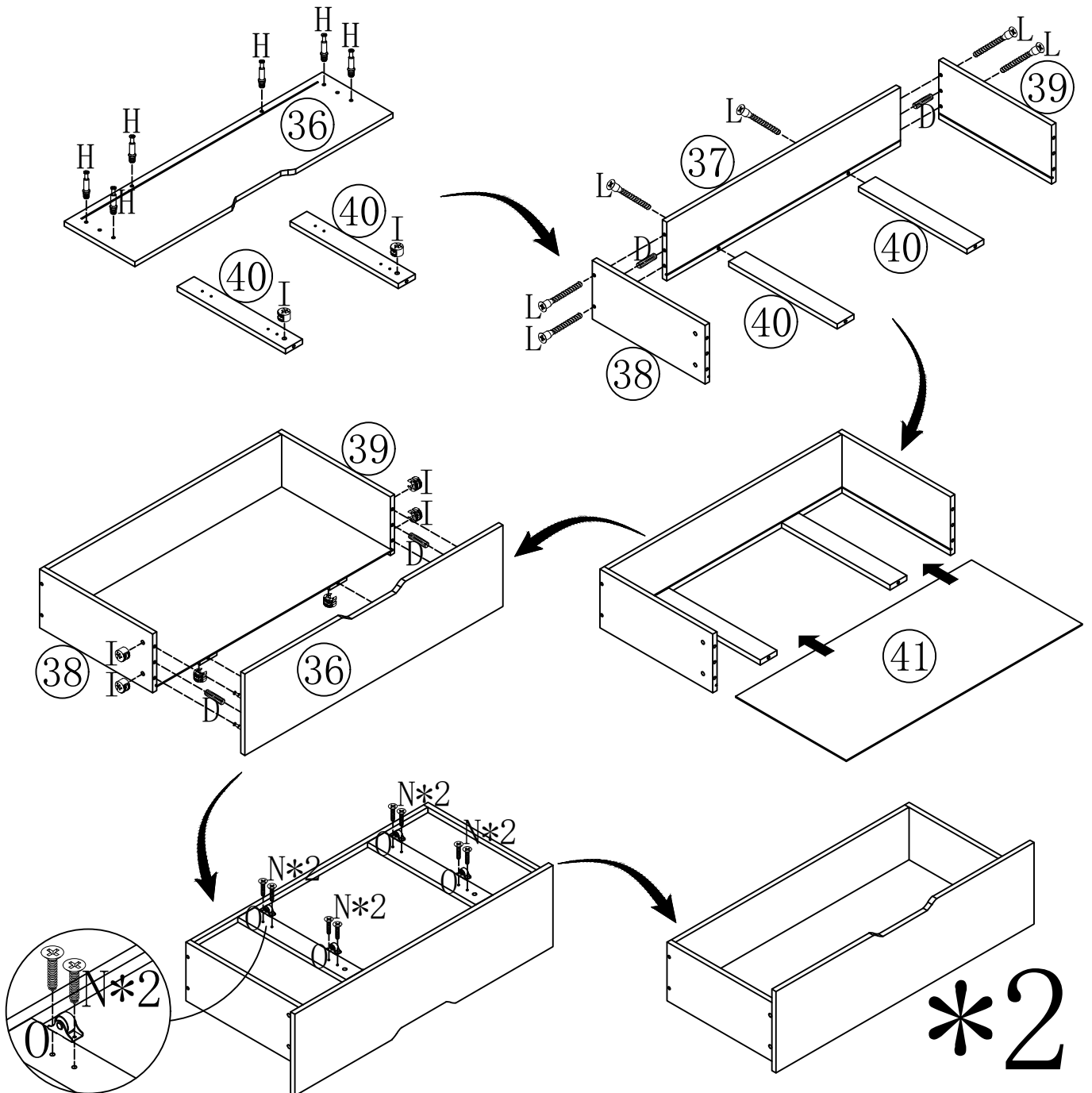
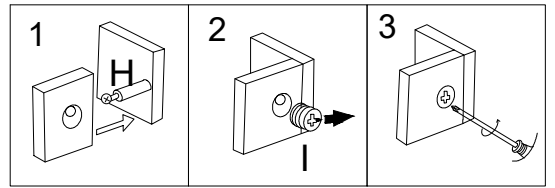


M	3.5x14		20PCS	J 3x14	
V			20PCS	N 3.5x16	



ASSEMBLY INSTRUCTIONS

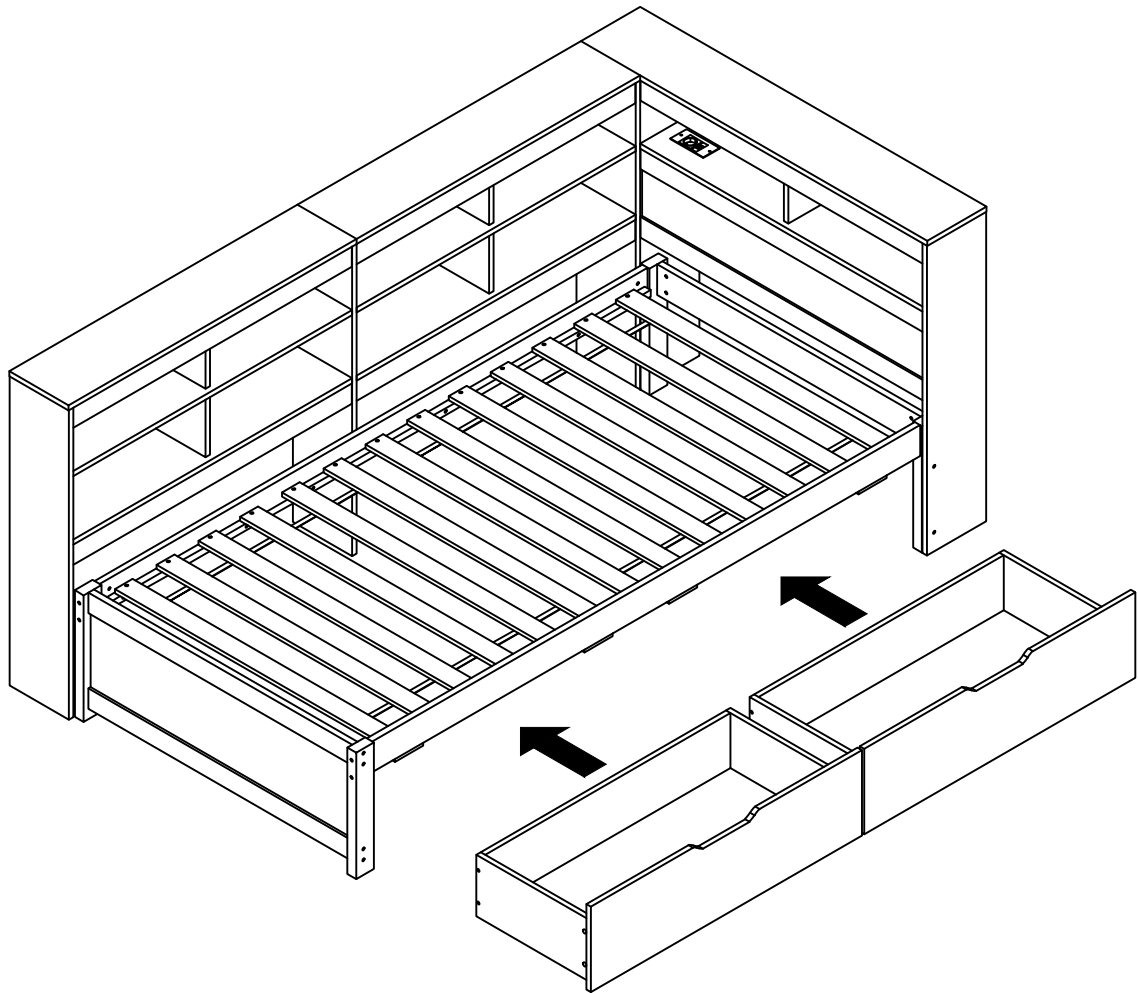
19



D	∅8x30		8PCS	J	3x14		M	3.5x14		
H			12PCS	I			L	5x40		12PCS
N	3.5x16		16PCS	O			S	M4		1PC

ASSEMBLY INSTRUCTIONS

20



LotusLantern APP Manual

1. Software Overview

1.1 Overview

LotusLantern is a mobile APP to control LED strip by both Apple and Android phones.

The traditional control ways like infrared, 433MHz, 2.4GHz and others old wired ways will be replaced by mobile phone control way with convenient, powerful and scalable features.

Through this mobile APP, you can not only control the color, brightness and color temperature of the LED strips but also set up all kinds of fancy flash mode; Also this APP can change the light of the LED strip according to the rhythm of the music. This APP can set and control several LED strips through Bluetooth and the operation is very simple, easy to learn and easy to use.

1.2 Features

- Adjust color LED strips with 60,000 colors to change color and brightness and adjust monochrome LED strips to change brightness and color temperature
- Play music or turn on a sound playback device, you can let the light change the color and brightness with the rhythm of music, the music rhythm beautiful
- Inside multiple setting mode for color change and control LED strips without mobile
- Long distance control with omni-directional antenna, and many-to-many group control mode
- Once the connection is successful, connect automatically next time

1.3 Performance

LotusLantern APP is easy for use as well as great compatible for all kinds of smart phones; After the actual test of hundreds of mobile phones verification, the compatibility is above 95% of mobile phones in the market. APP is small and convenient, it consumes less system resources, so the requirements of the mobile configuration are low. Control delay is small, the operation feel good, light control is smooth with people's visual sense.

2. Operating Environment

This APP program requires phones of system above Android 4.3 and iOS 8.0. Mobile phone configuration is not limited.

3. Instructions

Note: Android version and iOS version download and use the same method, here in the Android version as an example.

3.1 APP Download

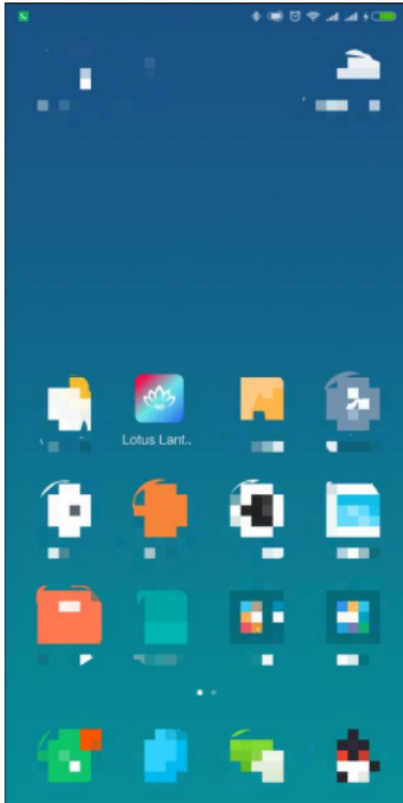
- Scan the QR code

iOS and Android systems can download the "LotusLantern" APP by scanning the QR code. Open the browser or other tools with "Scan QR code" function, scan the "LotusLantern" QR code as below:

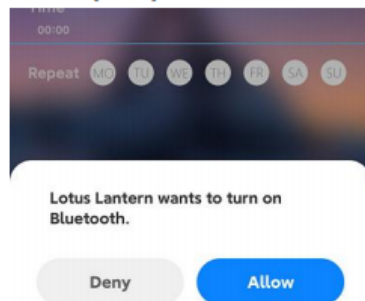


3.2 App Operation

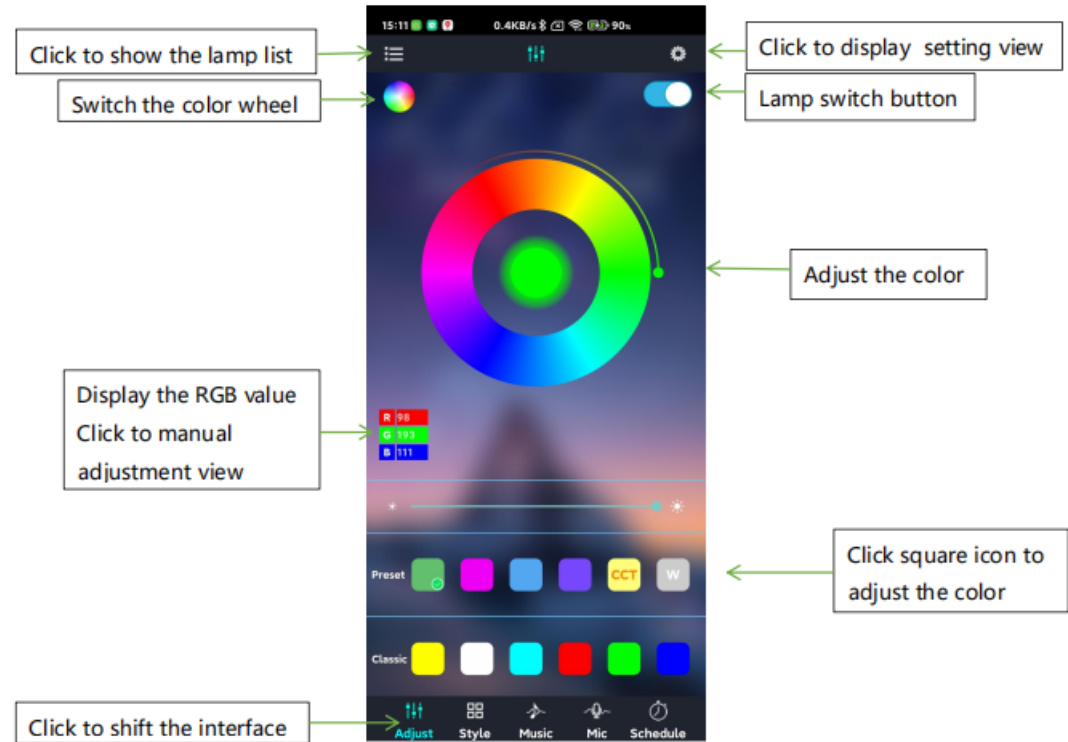
(1) Click on the LotusLantern APP icon, enter the APP page:



(2) After entering the APP interface, if Bluetooth is not enabled, "Louts Lantern wants to turn on Bluetooth." Click [Allow]



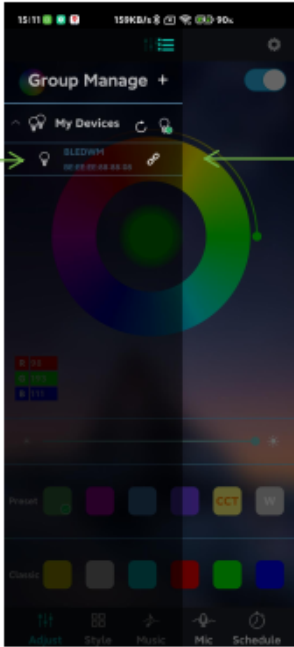
(3) switch to color and brightness interface:



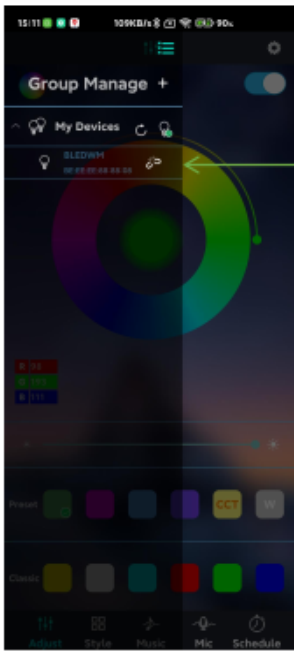
(4) click to show the lamp list, view lamp list:

Bluetooth auto connect after search for devices

Lamp list



Status of device connection



Device disconnected state

(5) Click to RGB manual adjustment view:

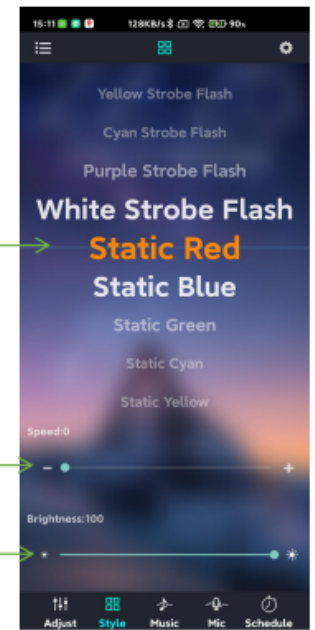


(6) switch to the mode interface:

Scroll the selection mode

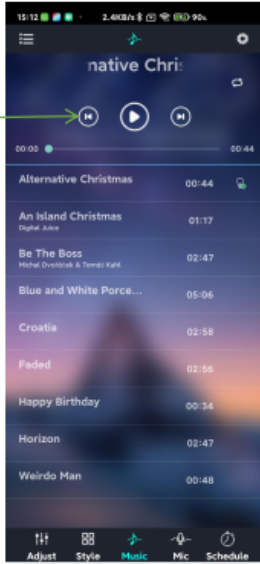
Adjust seed

Adjust luminance



(7) switch to the music rhythm interface:

Previous song, Pause/Play, Next song

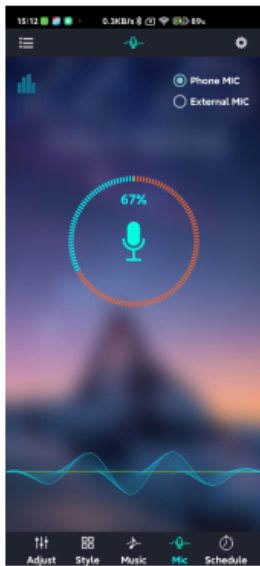


Recycle mode

Music List

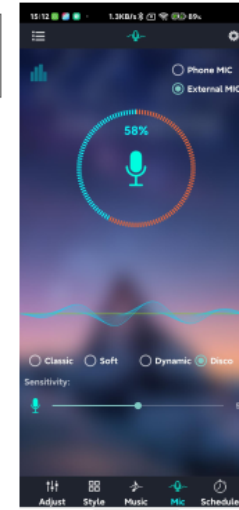
(8) Switch to the microphone rhythm interface:

Music rhythm through cell phone microphone



Switch phone microphone and external microphone

Music rhythm through the microphone on the product



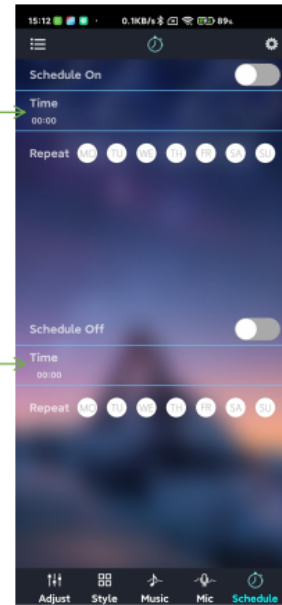
Switch phone microphone and external microphone

4-style rhythm

Change the sensitivity of MIC to match the sound

(9) Switch to the schedule interface:

Set the time of Light-On



Enable or disable the Light-On function

Repeat setting No selection for once Light-On

Set the time of Light-Off

Enable or disable the Light-Off function

Repeat setting No selection for once Light-Off




Shenzhen POCE Technology Co.,Ltd.

H Building, Hongfa Science and Technology Park,
Tangtou, Shiyan, Bao'an District, Shenzhen, China

CERTIFICATE OF CONFORMITY

Certificate No : POCE220829292TCE
Applicant : Shenzhen Xuxing Technology Co.,Ltd
Address : Floor 3, Building C, Huaze Hi-Tech Industrial Park, No.108 Zhushi Road, Shiyan Street, Bao'an District, Shenzhen
Manufacturer : Shenzhen Xuxing Technology Co.,Ltd
Address : Floor 3, Building C, Huaze Hi-Tech Industrial Park, No.108 Zhushi Road, Shiyan Street, Bao'an District, Shenzhen
Product : Led lights bring

Trade Name : 
旭兴科技
XUXING TECHNOLOGY

Model(s) : XX5050-RGB-60D, XX5050-RGB-30D, XX5050-RGB-72D, XX5050-RGB-96D, XX5050-RGB-120D, CLB1-2835-1, CLB1-2835-0, XX2835-W/Y-120D, XX2835-W/Y-60D, XX2835-W/Y-240D, XX2835-W/Y-238D, XX2835-W/Y-168D, XX2835-W/Y-224D, XX2835-W/Y-118D, XX2835-W/Y-162D, XX2835-W/Y-124D, XX2835-W/Y-170D, XX2835-60D, XX2835-120D, XX2835-150D, XX2835-180D

Test Report No : POCE220829292TRE
Test Standards : EN IEC 55015:2019/A11:2020
EN 61547:2009
EN IEC 61000-3-2:2019/A1:2021
EN 61000-3-3:2013/A2:2019

The EUT described above has been tested by us with the listed standards and found in compliance with the council EMC Directive 2014/30/EU. It is possible to use CE marking to demonstrate the compliance with this EMC Directive.




For Chief Executive / Tom Chen
Date: Sep. 02, 2022


This certificate of conformity is based on a single evaluation of the submitted sample(s) of the above mentioned product. It does not imply an assessment of the whole production and other relevant directives have to be observed.



扫一扫关注



扫码查证书

Web: <http://www.poce-cert.com> Tel: +86-755-29113252 E-mail: service@poce-cert.com