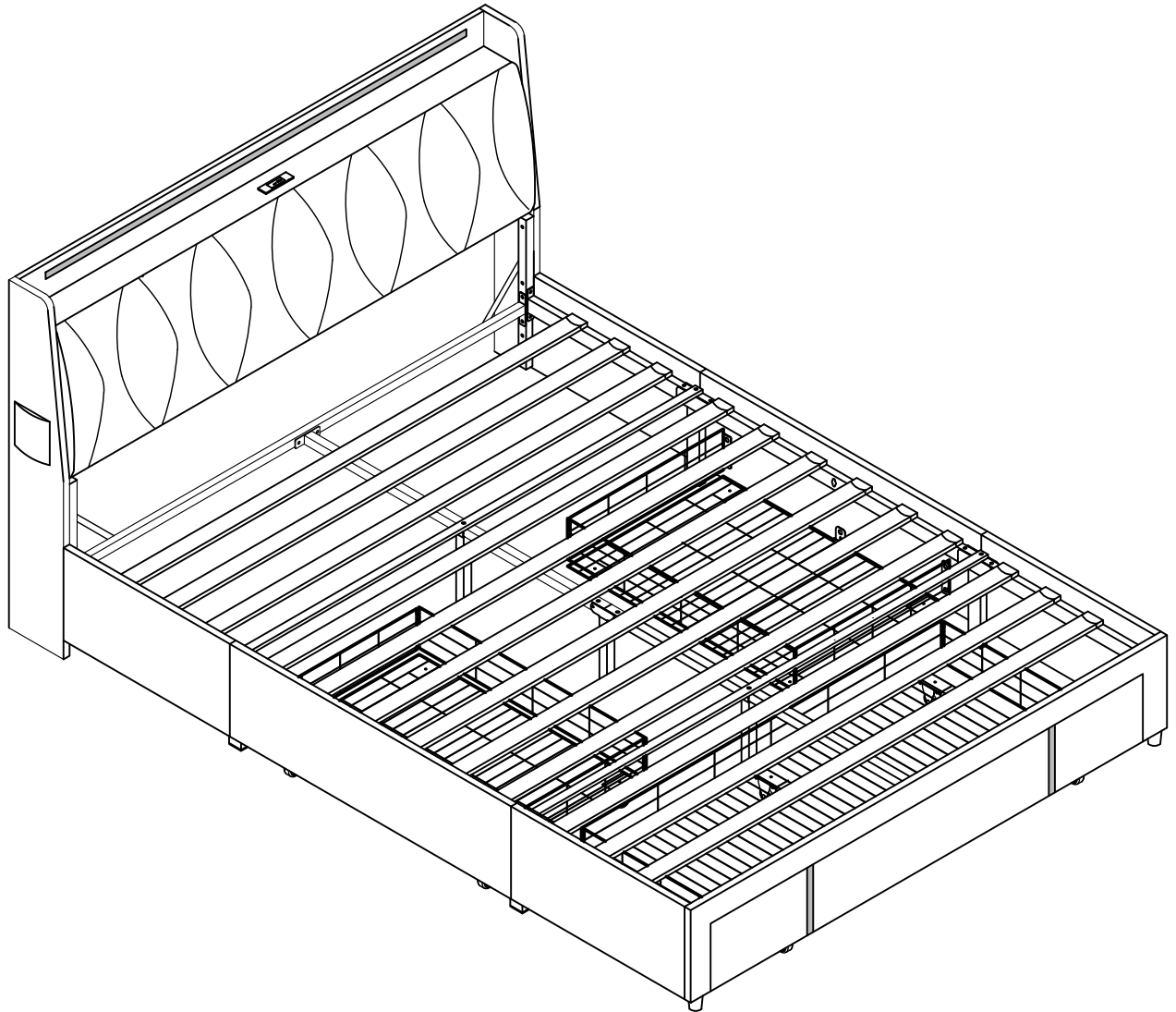


BED**N652P327431 N652P327432****TIPS**

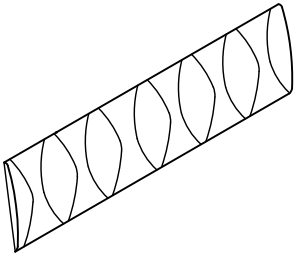
1. This product is divided into 2 parcels for delivery. They may not arrive at the same time. Please wait patiently.

2. Please read the instructions fully before assembly. These instructions include important information which could ensure correct assembly. We have been working on providing high quality products for you. However, in the rare instance that your product is defective, missing parts or there are some issues, please don't hesitate to contact our customer service to submit parts requirements, assembly suggestion, or warranty claims, and we will give the best solution as soon as possible. If necessary, we need you to provide some more clear pictures of the issue.

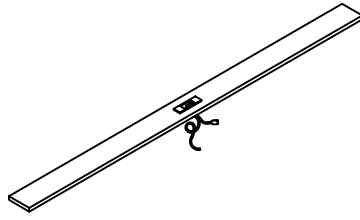
3. Insert the screws in holes and tighten the screws, but not too tight, 70%~80% is ok, finally tighten all the screws. If some issues happened that some screws can not target to the hole or some parts are difficult to install, please adjust the tightness of the screws.

4. 2 people are recommended to finish.

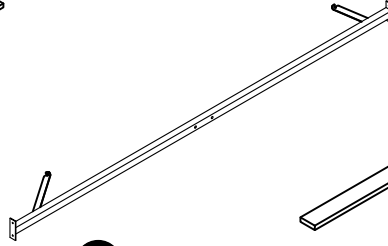
SKU:N652P327431



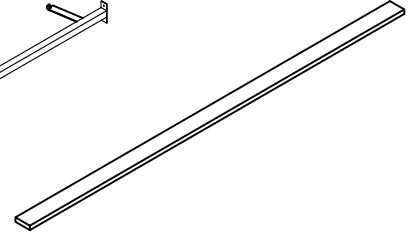
1 1PC



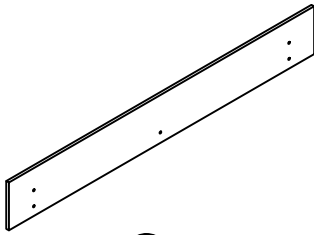
5 1PC



6 1PC



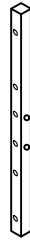
7 12PCS



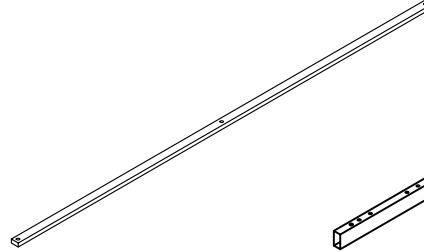
14 1PC



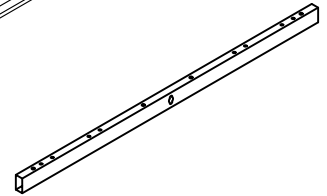
16 1PC



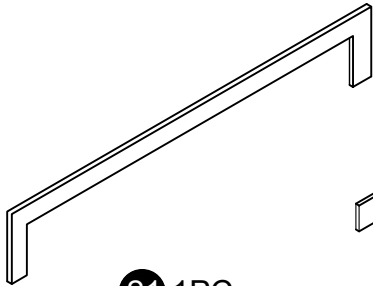
17 1PC



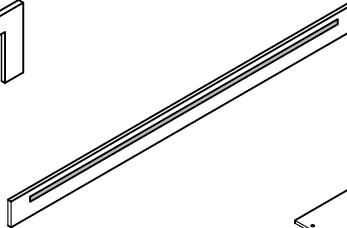
18 2PCS



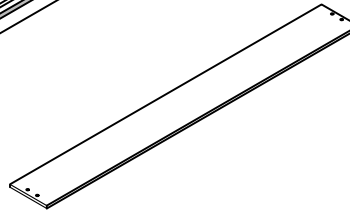
20 2PCS



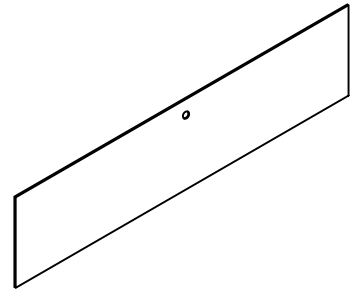
21 1PC



22 1PC



23 1PC



24 1PC

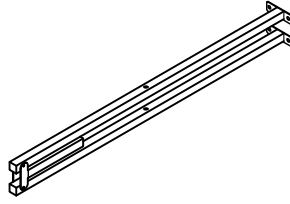
SKU:N652P327432



2 1PC



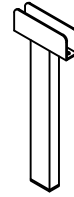
3 1PC



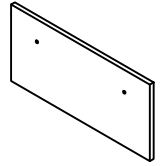
4 1PC



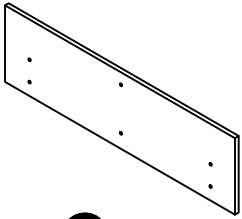
10 2PCS



11 4PCS



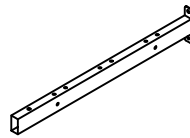
12 4PCS



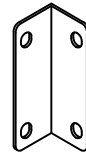
13 2PCS



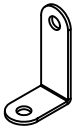
15 2PCS



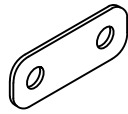
19 4PCS



26 4PCS



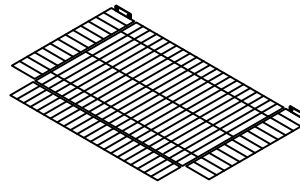
27 2PCS



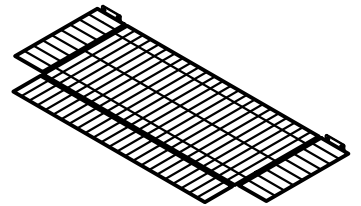
28 2PCS



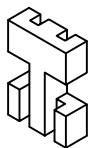
29 26PCS



30 2PCS



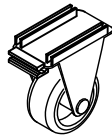
31 1PC



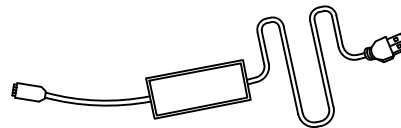
32 6PCS



33 3PCS

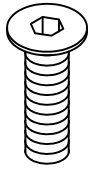


34 13PCS



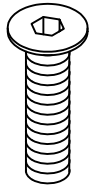
35 1PC

Hardware parts 1



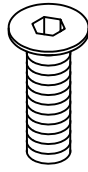
A

M6*15
X27+3



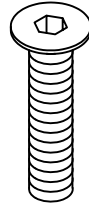
B

M6*35
X8+1



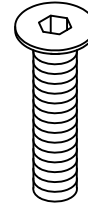
C

M8*15
X24+2



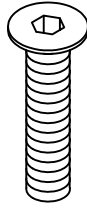
D

M8*25
X20+2



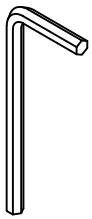
E

M8*40
X8+1



F

M8*48
X10+2



H

M5
X1



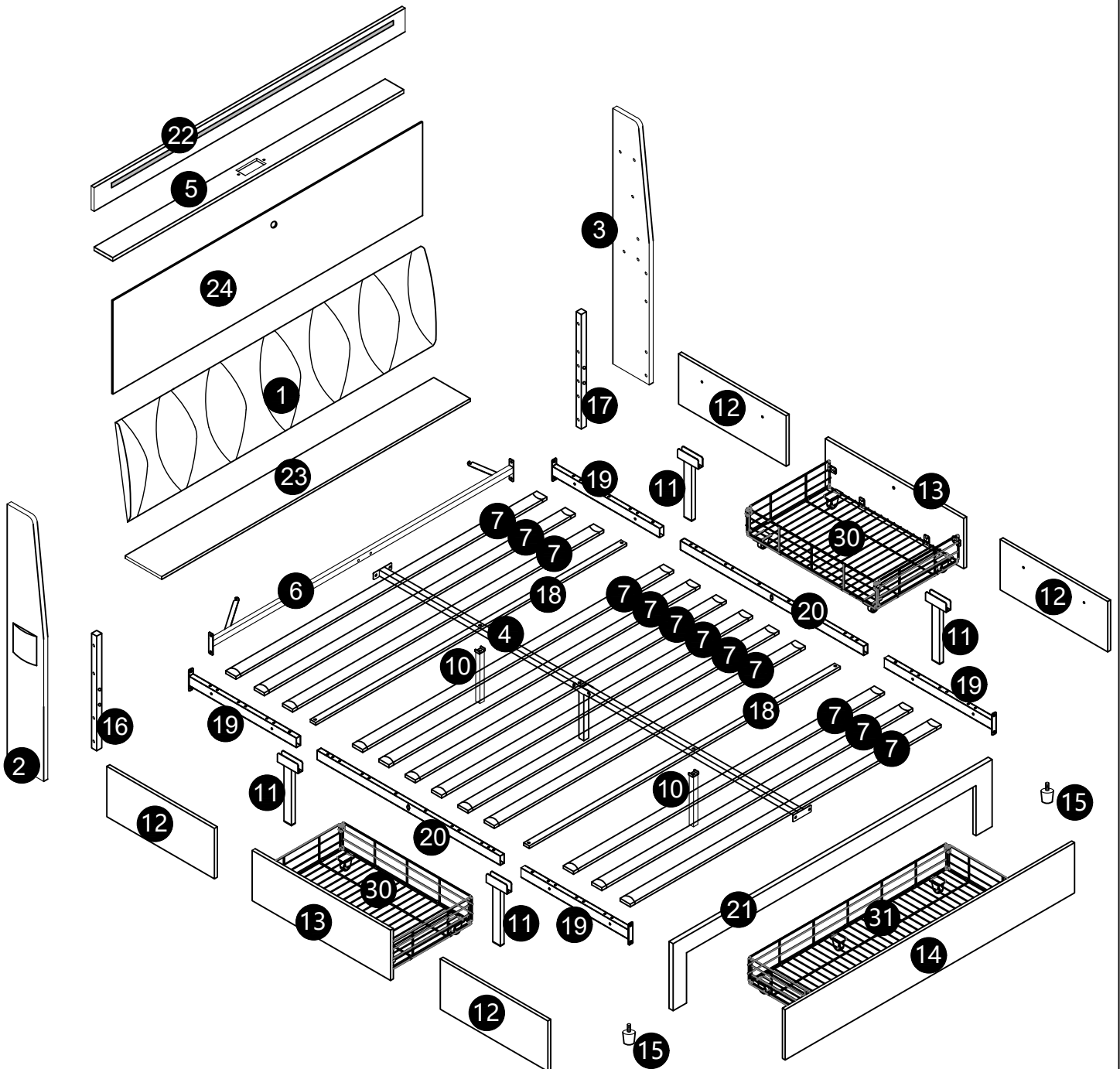
R 1PC



L 1PC

BED

OVERVIEW

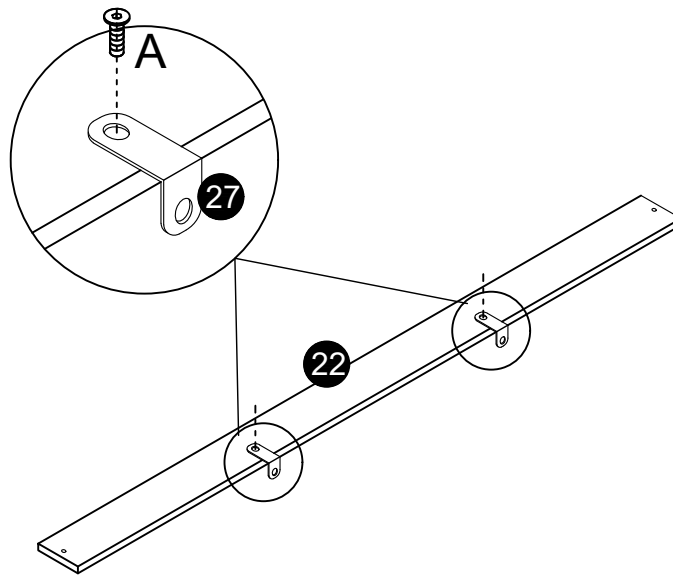


BED

1

A M6*15

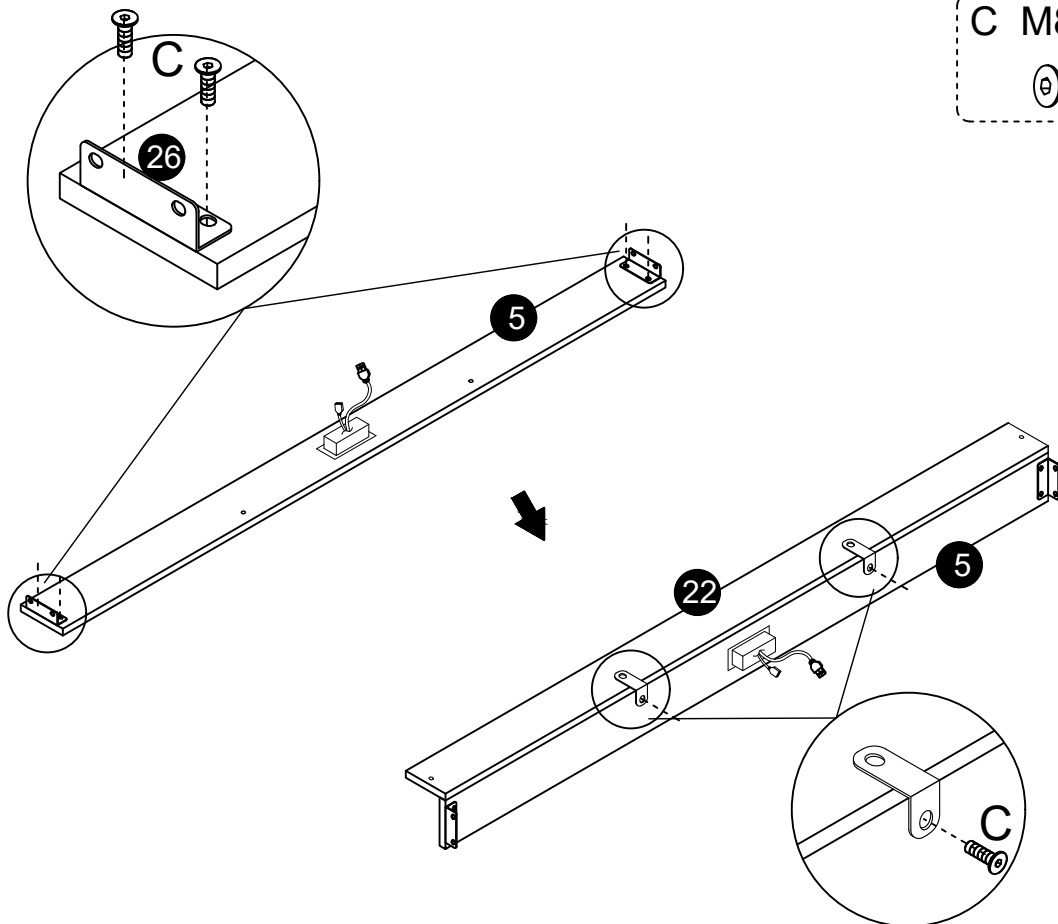
 X2



2

C M8*15

 X6

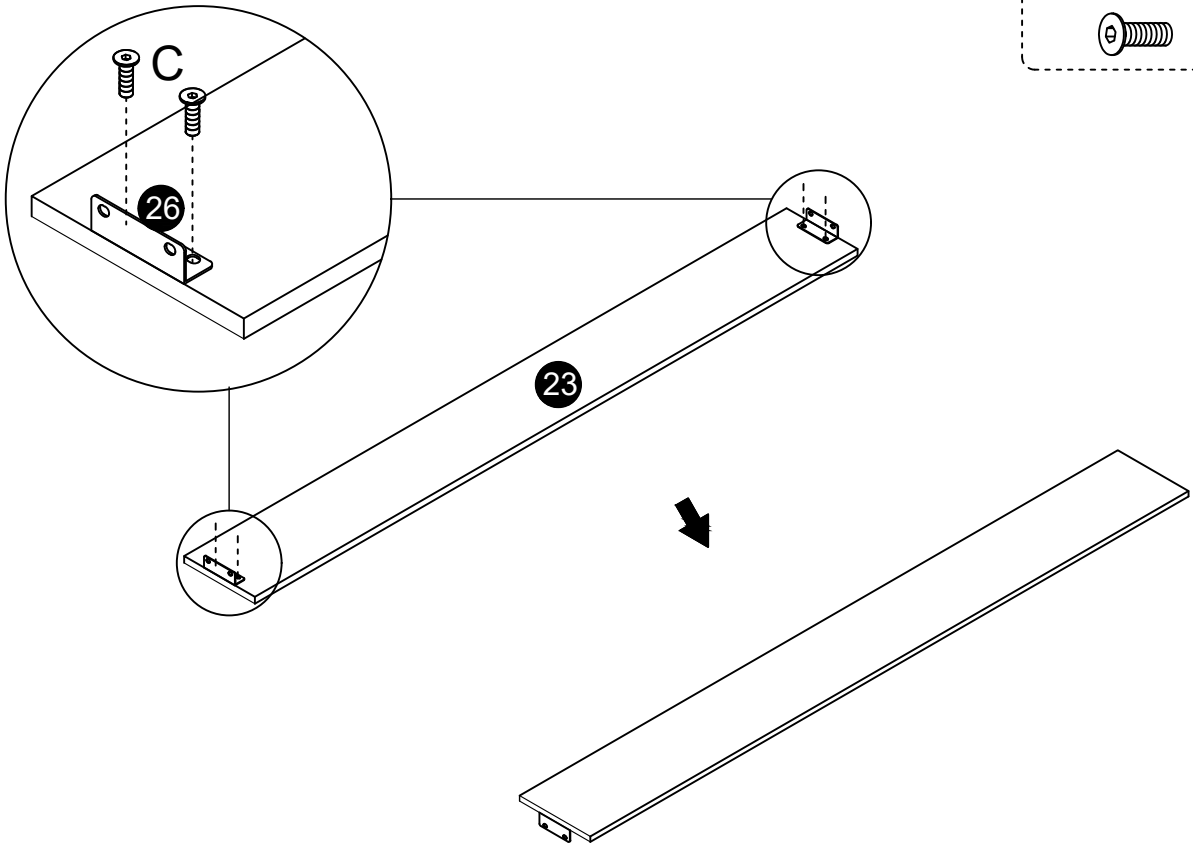


BED

3

C M8*15

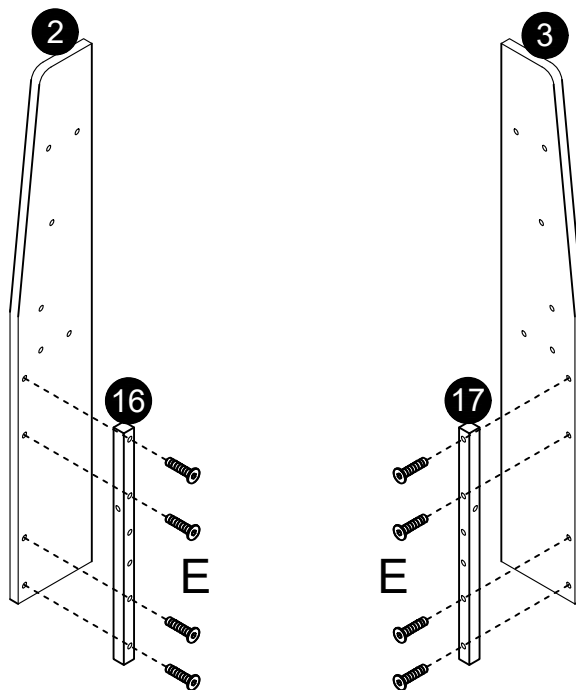
 X4



4

E M8*40

 X8

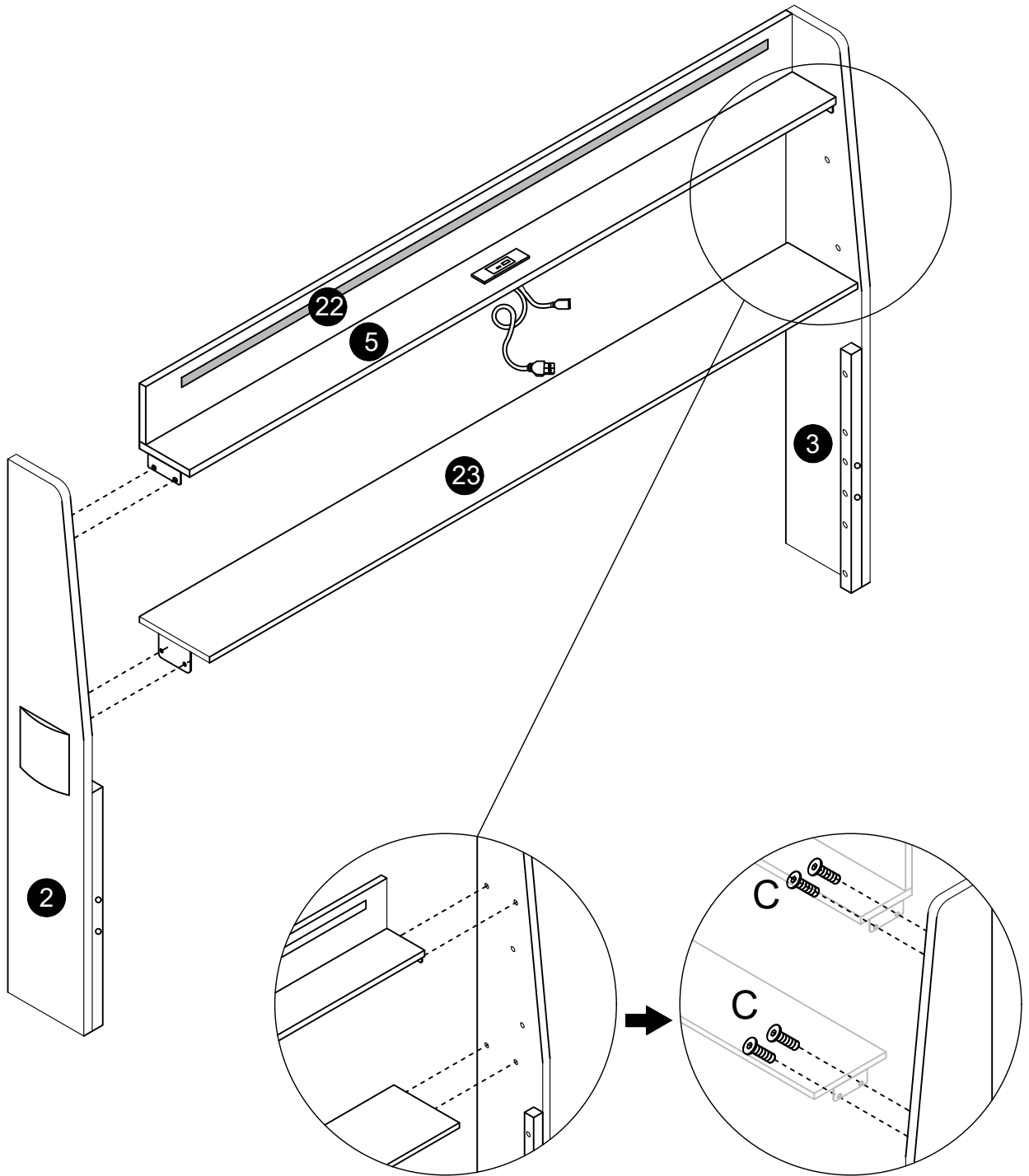


BED

5

C M8*15

 X8

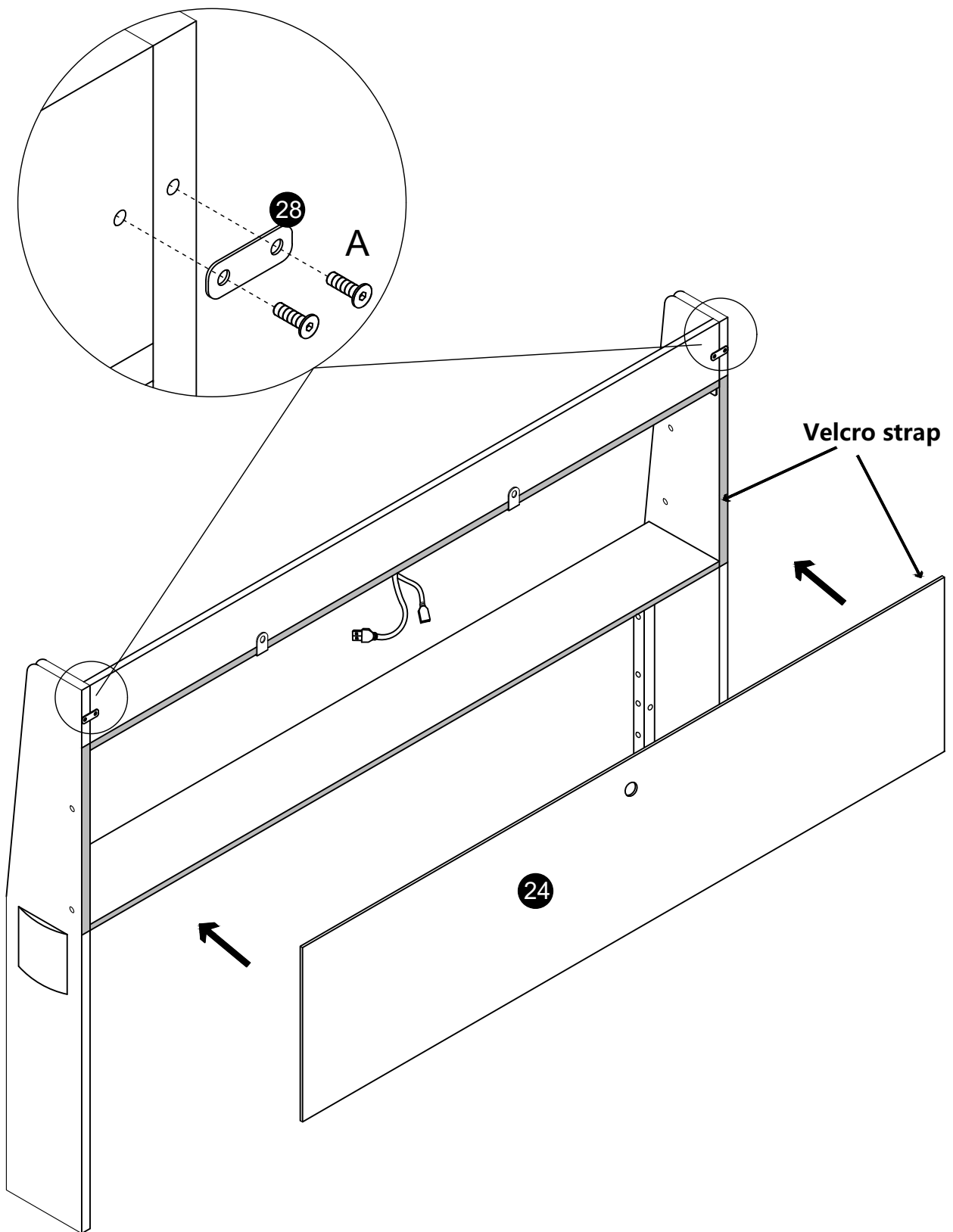


BED

6

A M6*15

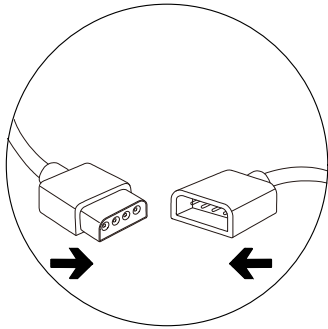
 X4



BED

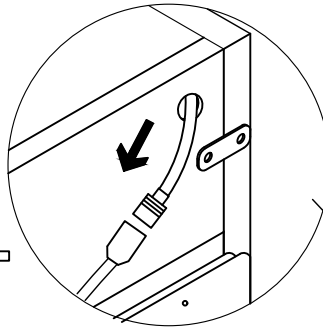
7

Connect

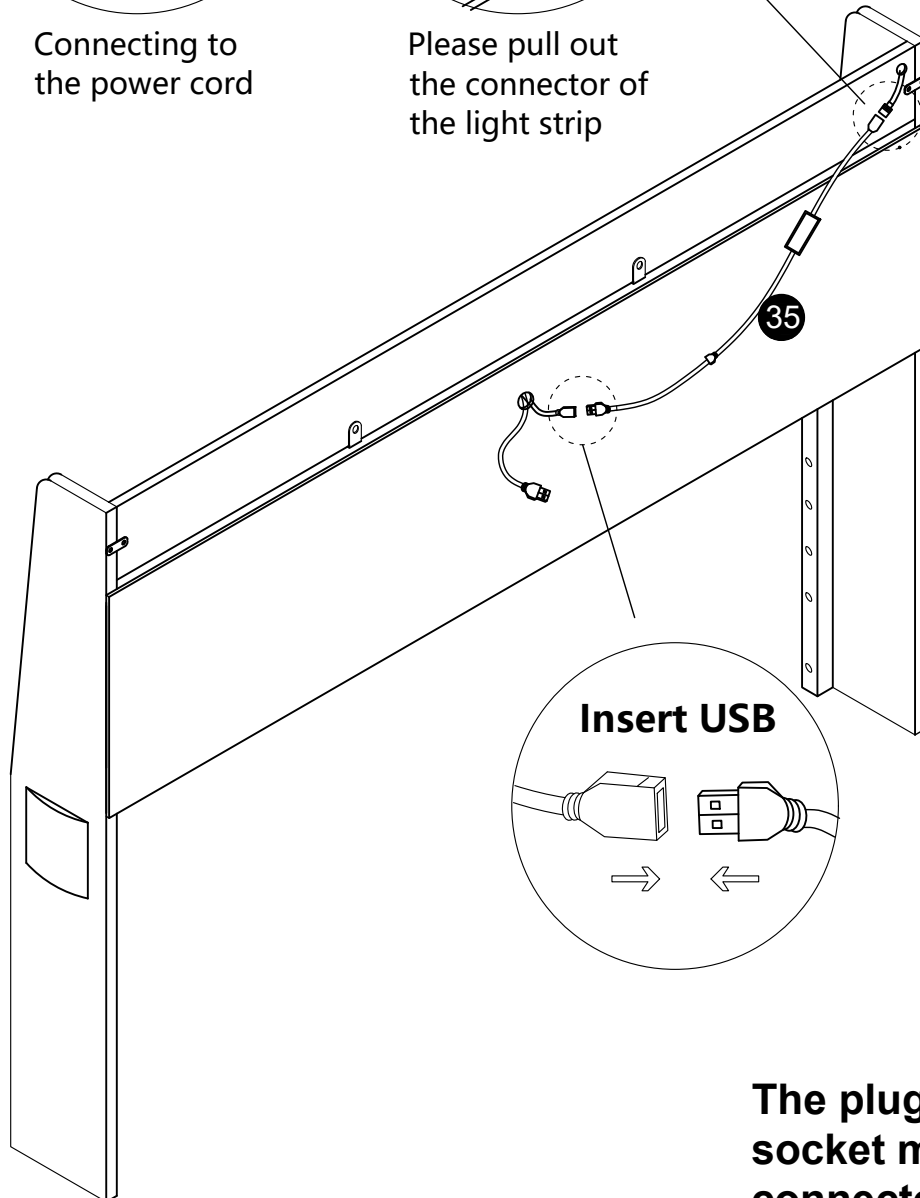


Connecting to
the power cord

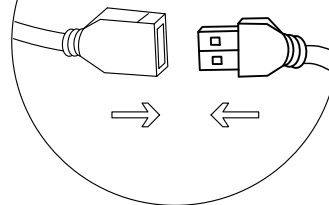
Pull out the light head



Please pull out
the connector of
the light strip



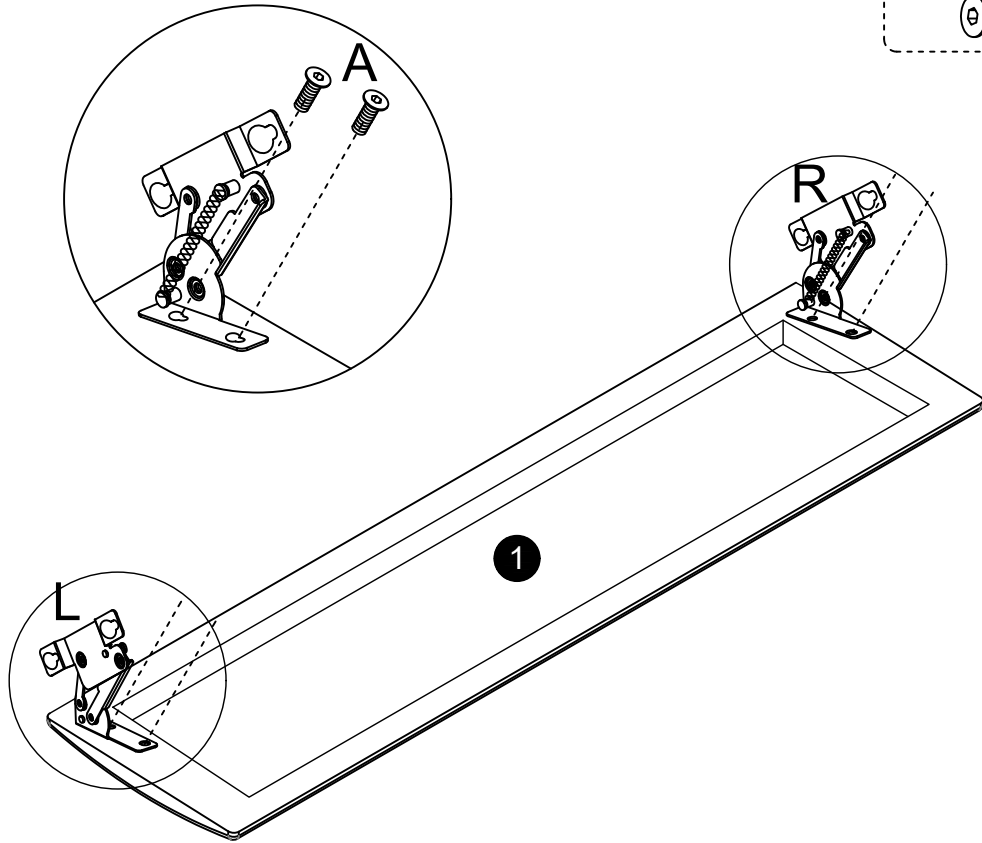
Insert USB



**The plug of the USB
socket must be
connected to the power
supply before it can be
used !!!**

BED

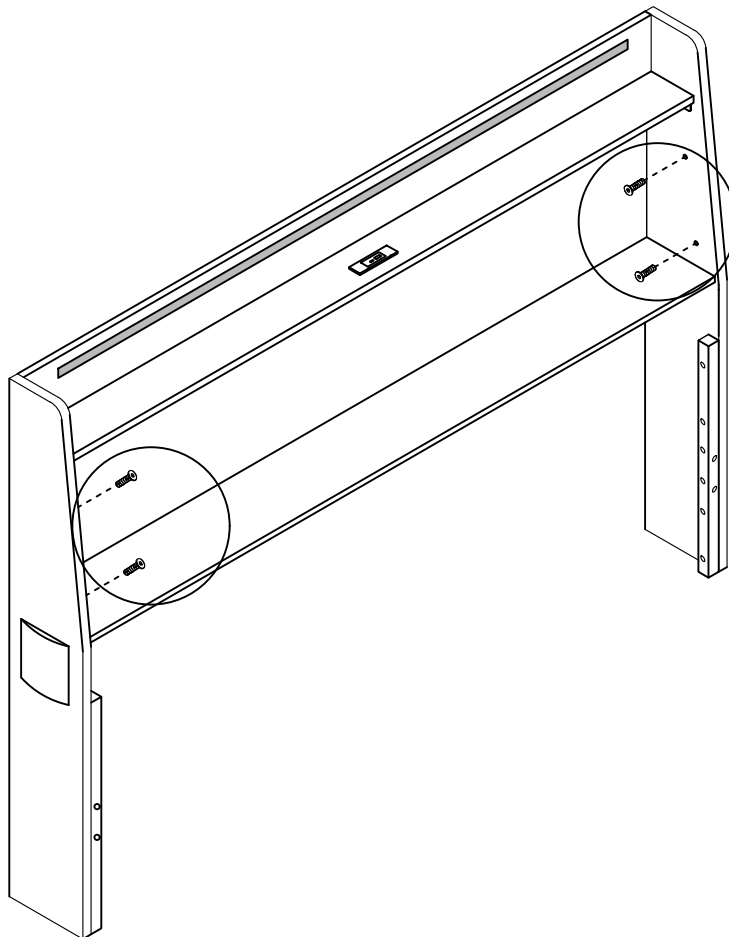
8



A M6*15

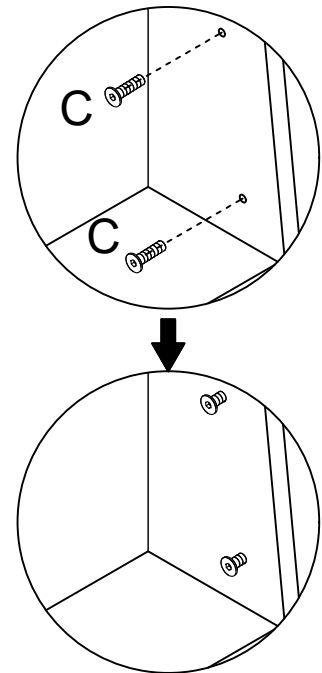
 X4

9



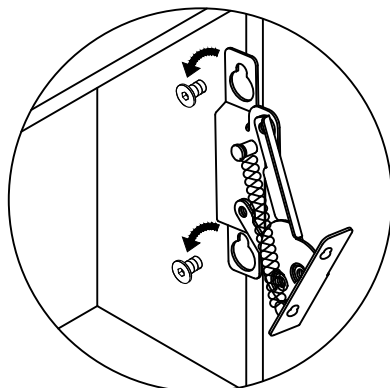
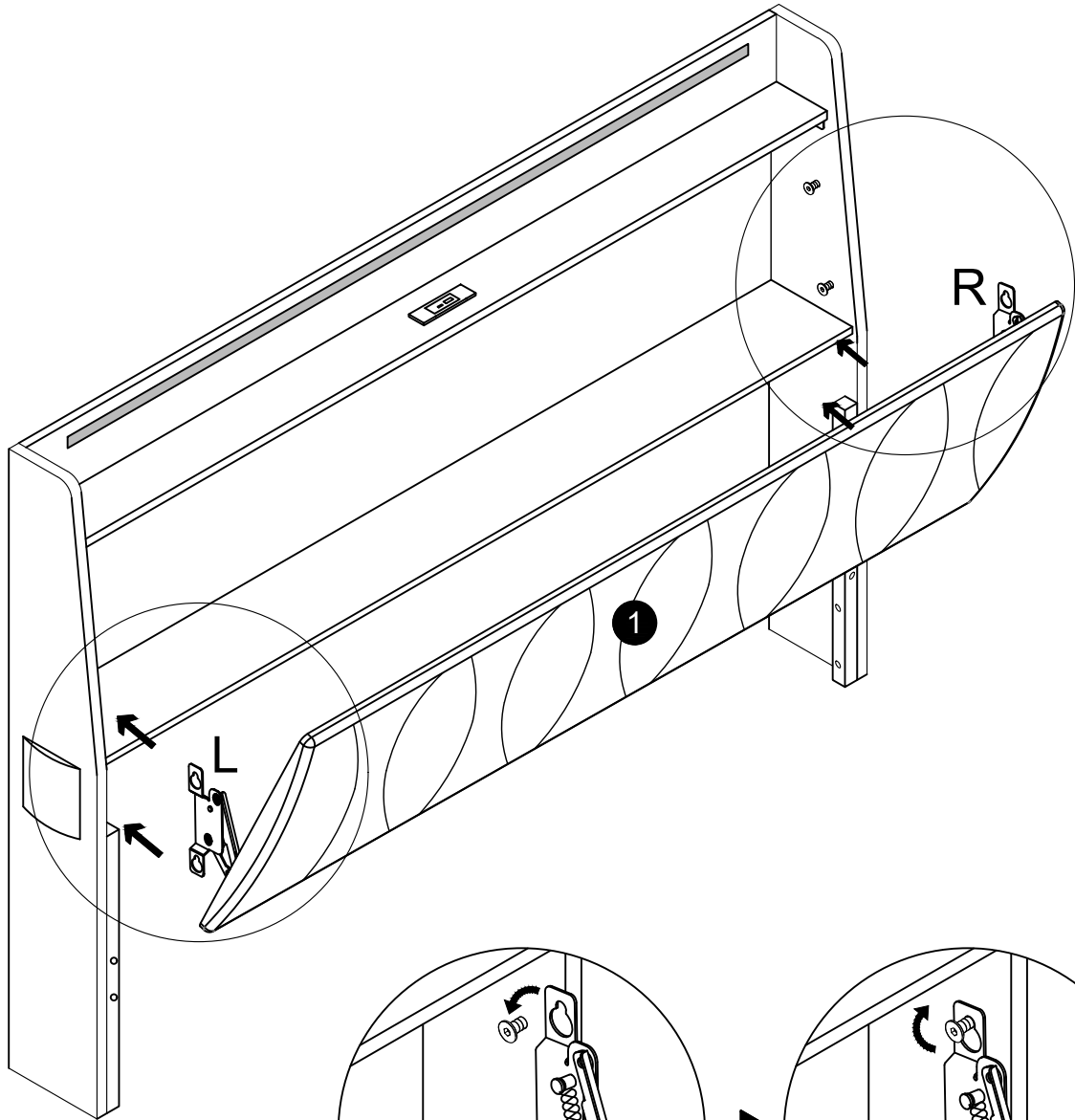
C M8*15

 X4

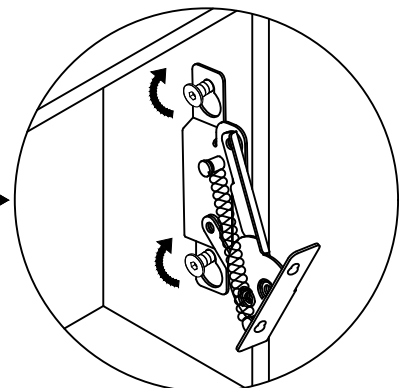


BED

10



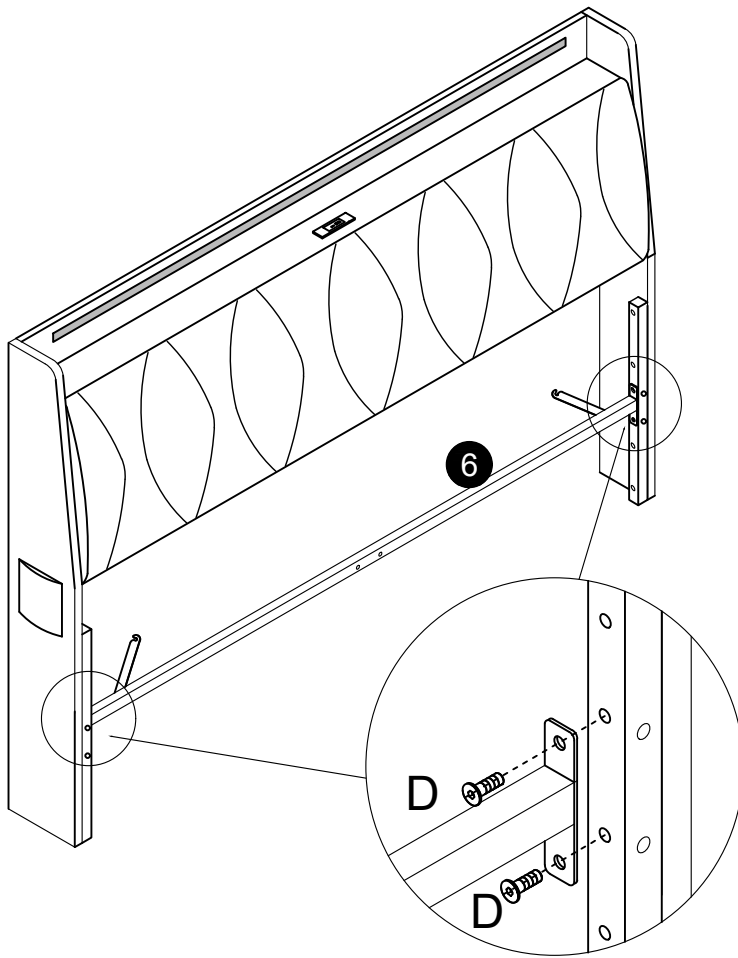
Hang it up first



Then tighten it

BED

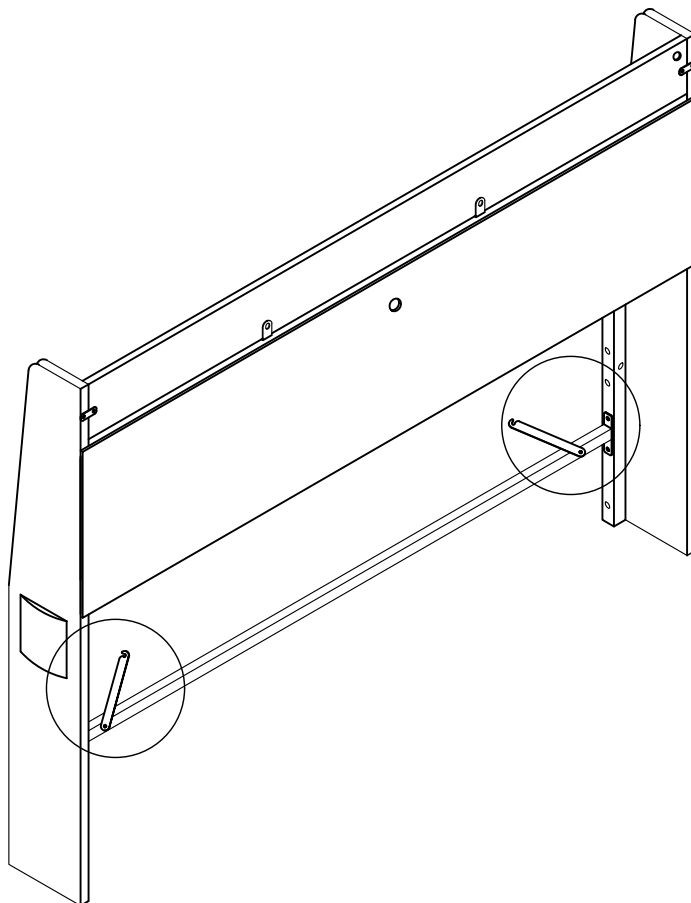
11



D M8*25

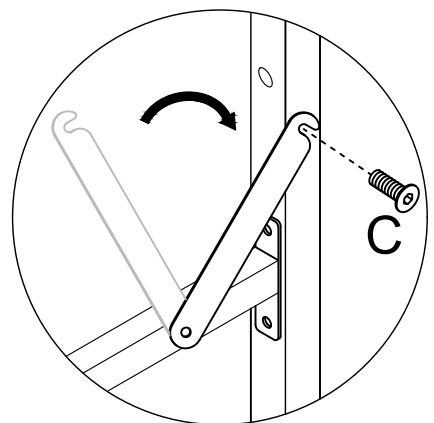
 X4

12



C M8*15

 X2

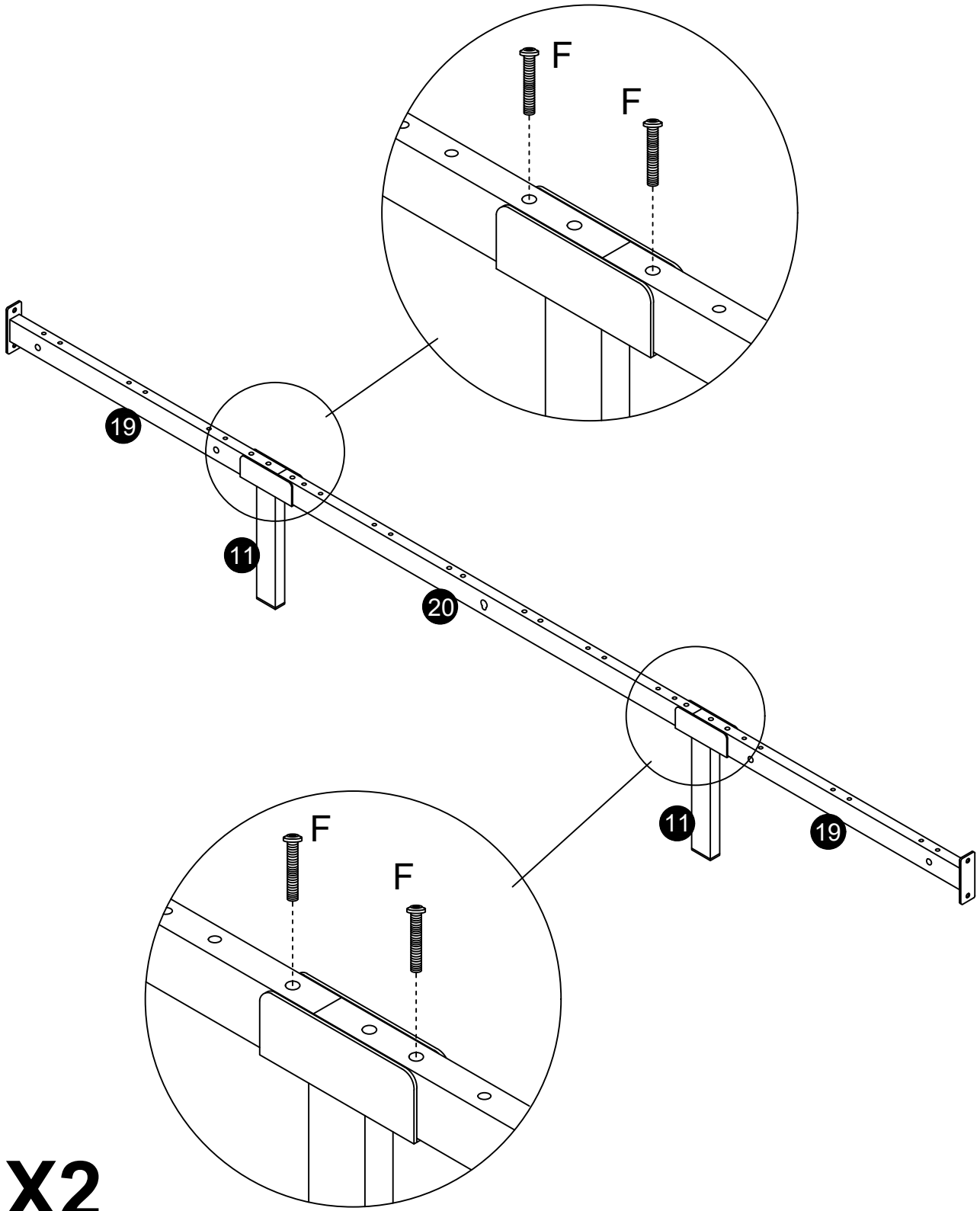


BED

13

F M8*48

 X8



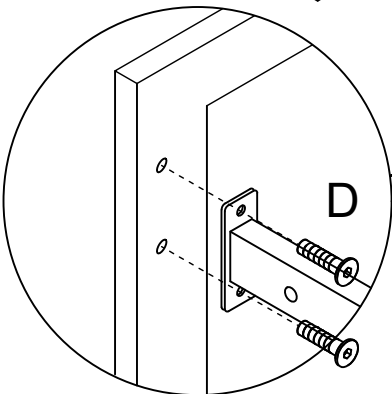
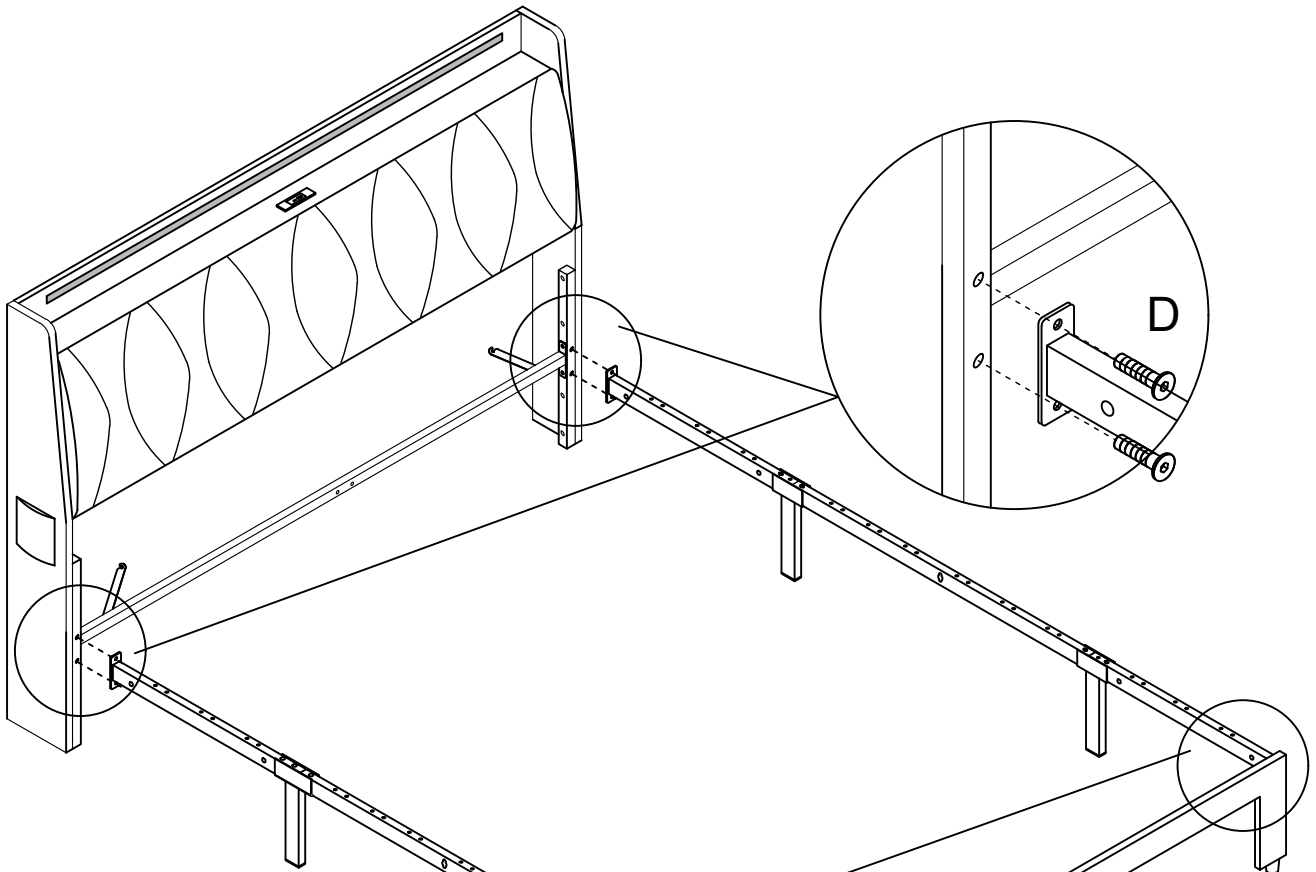
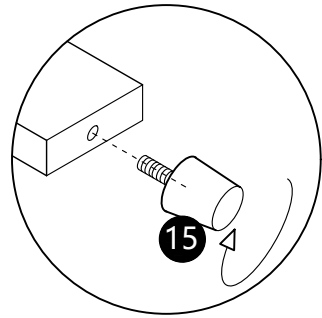
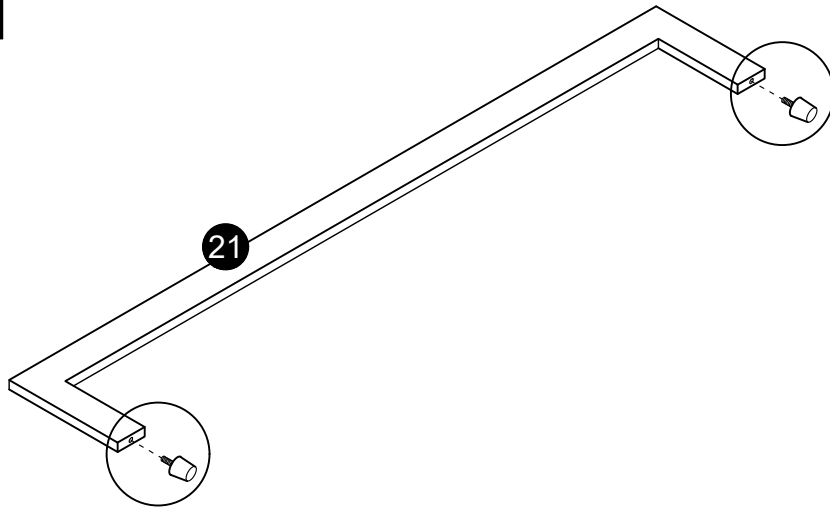
X2

BED

14

D M8*25

 X8



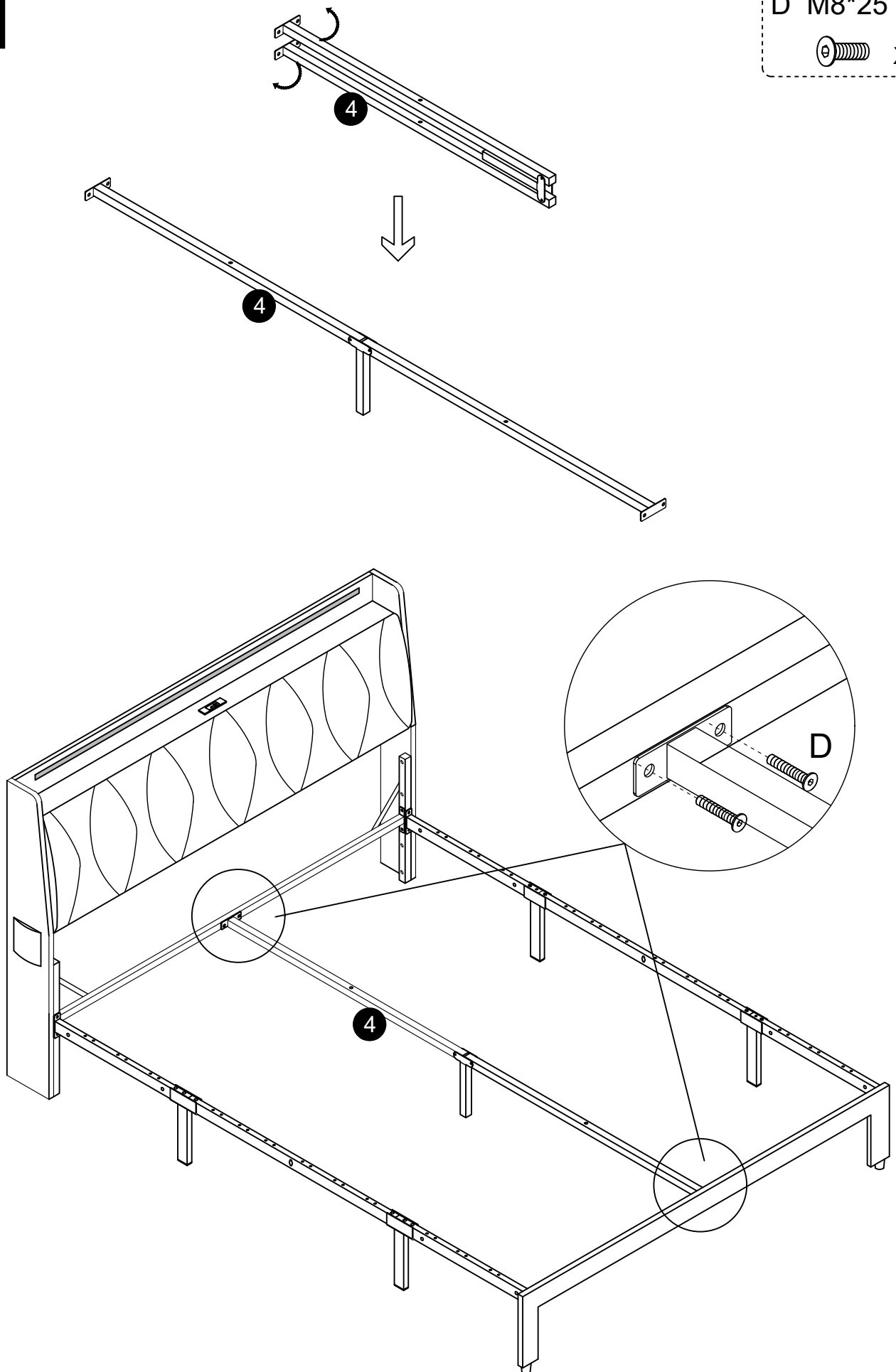
This step requires 2 people to install.

BED

15

D M8*25

 X4



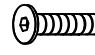
BED

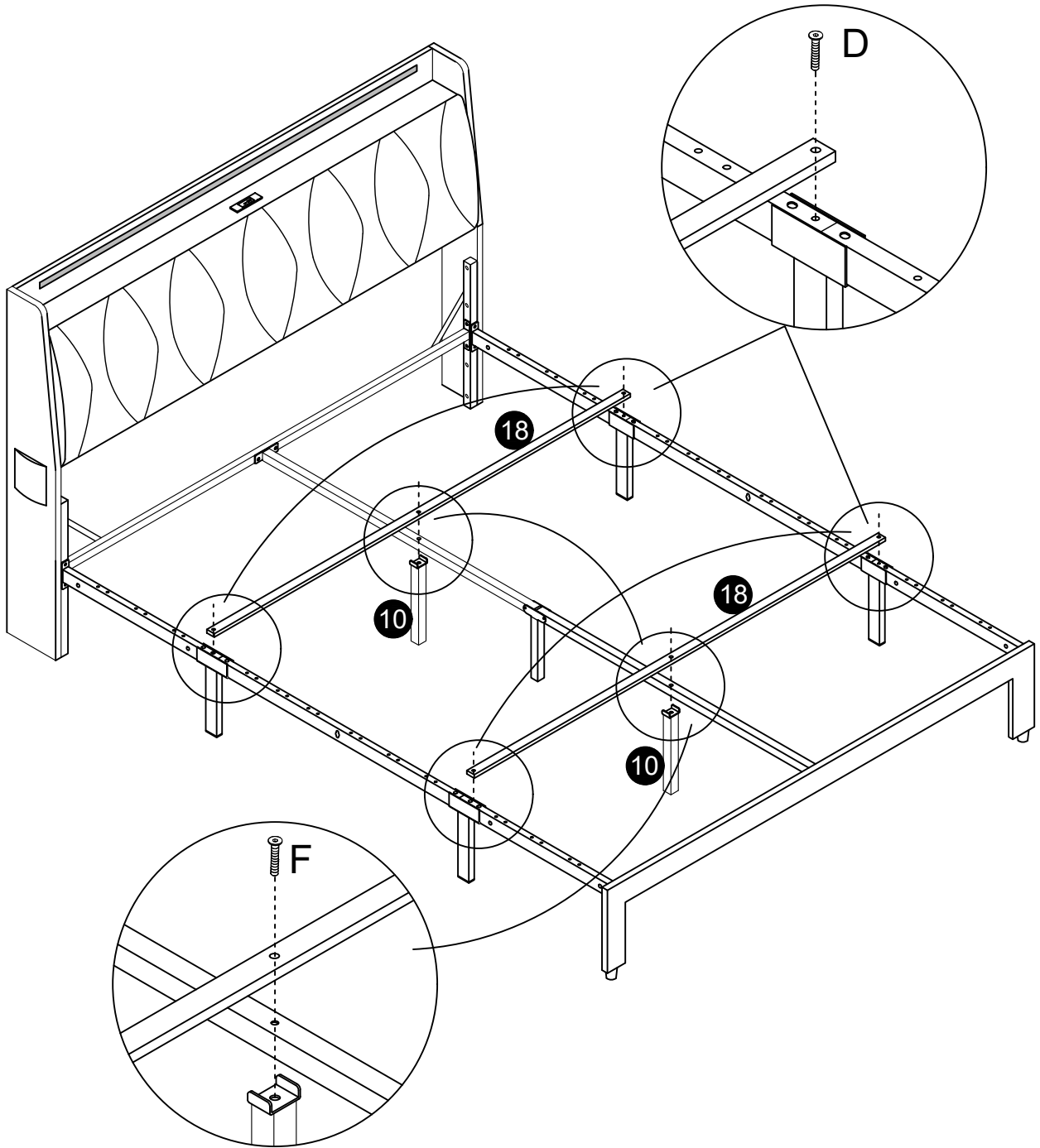
16

D M8*25

 X4

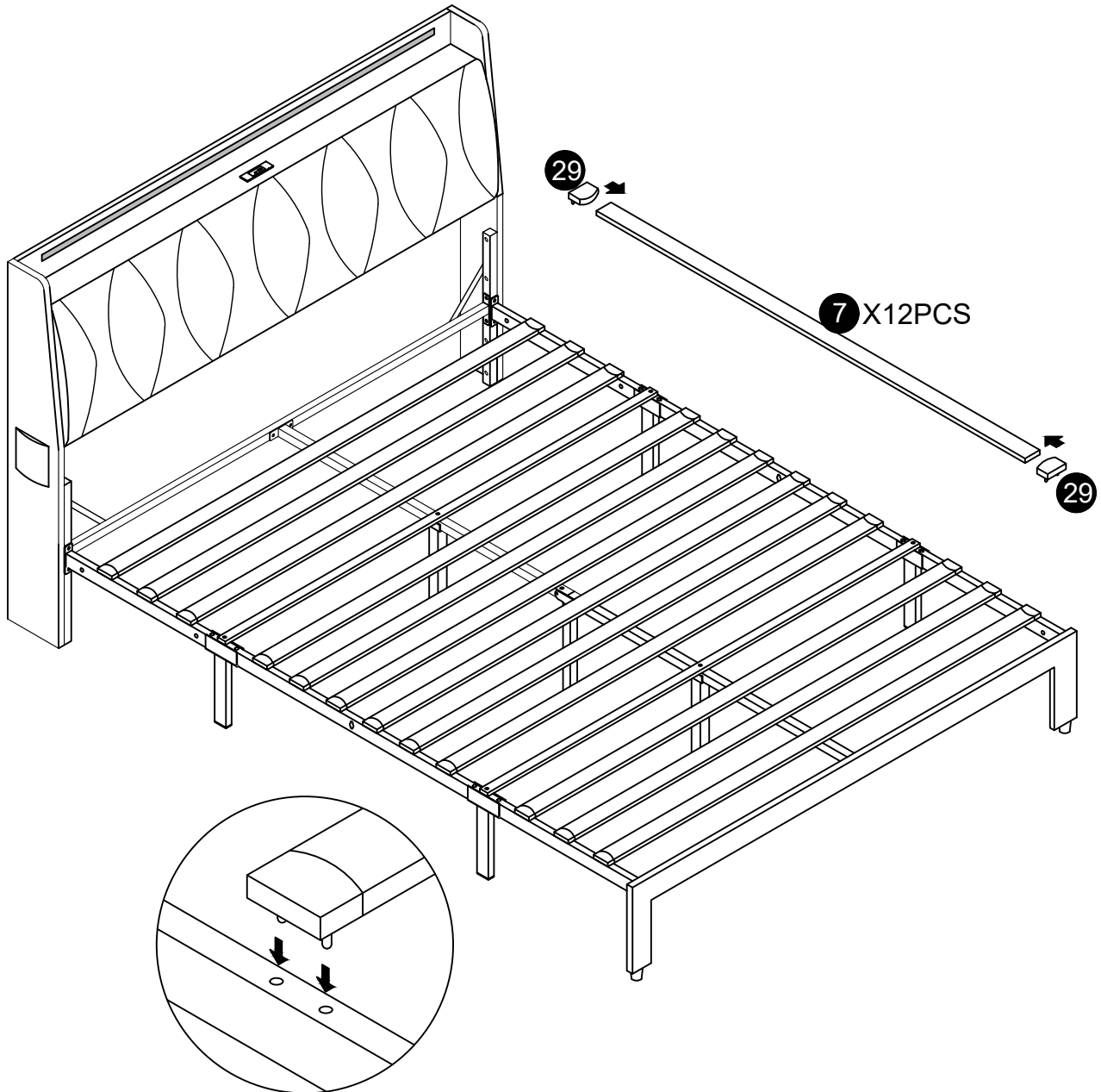
F M8*48

 X2



BED

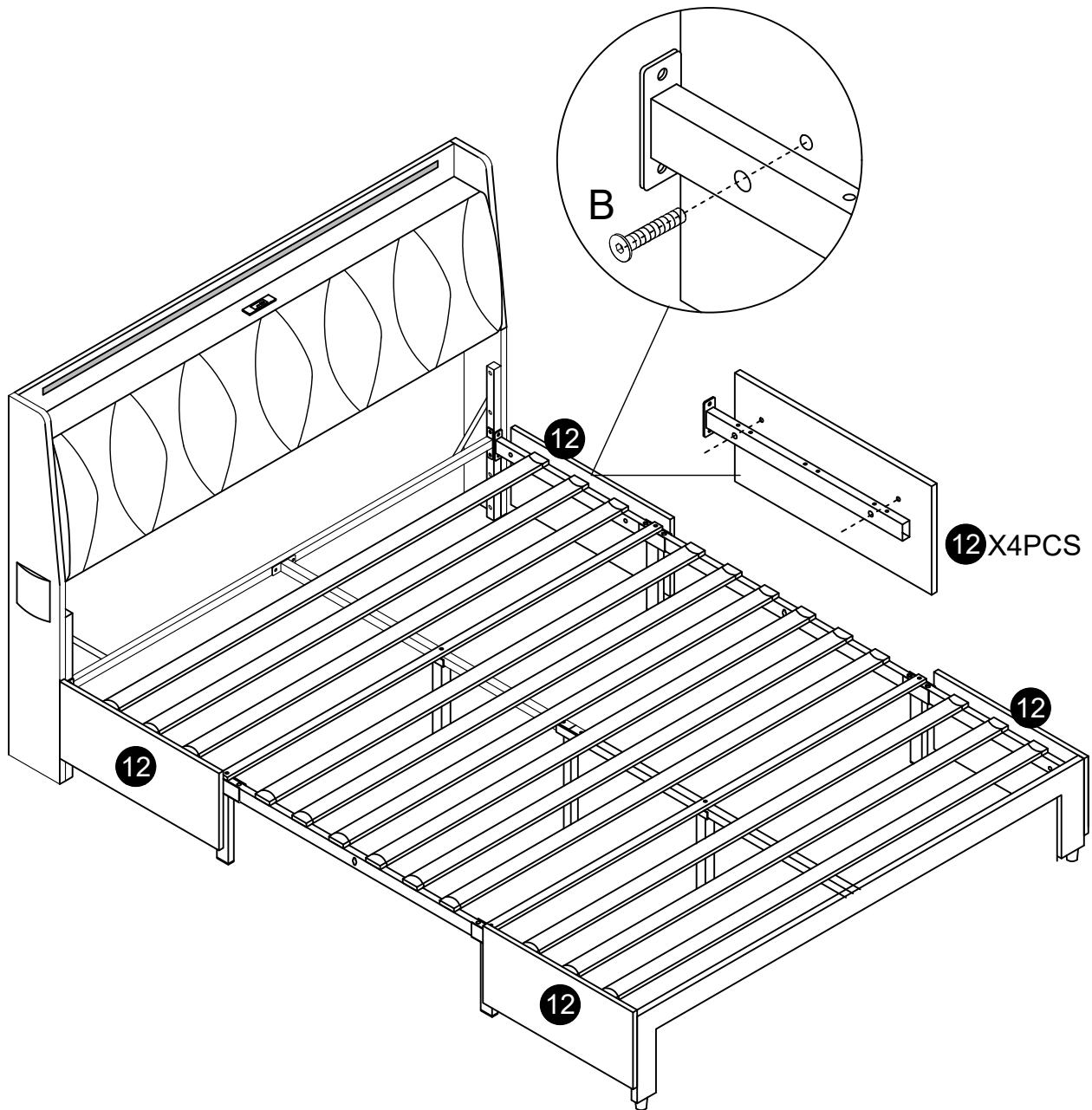
17



BED

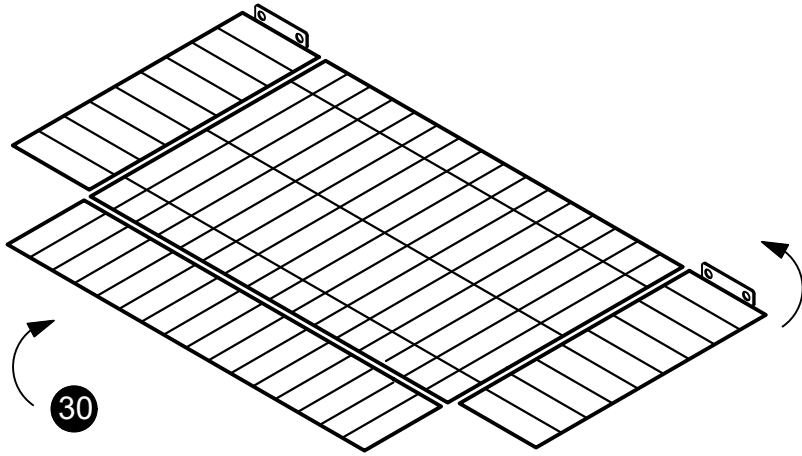
18

B M6*35



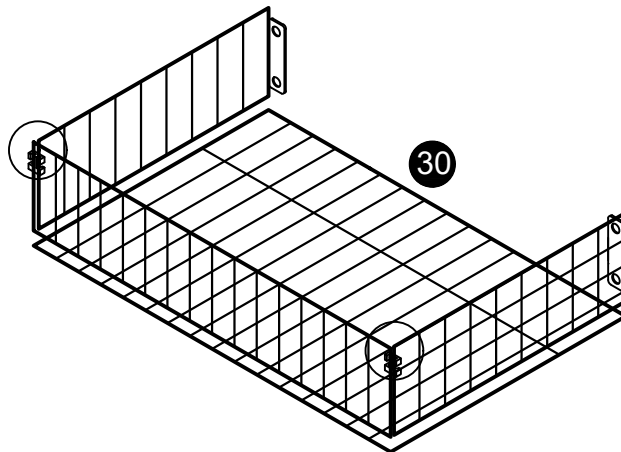
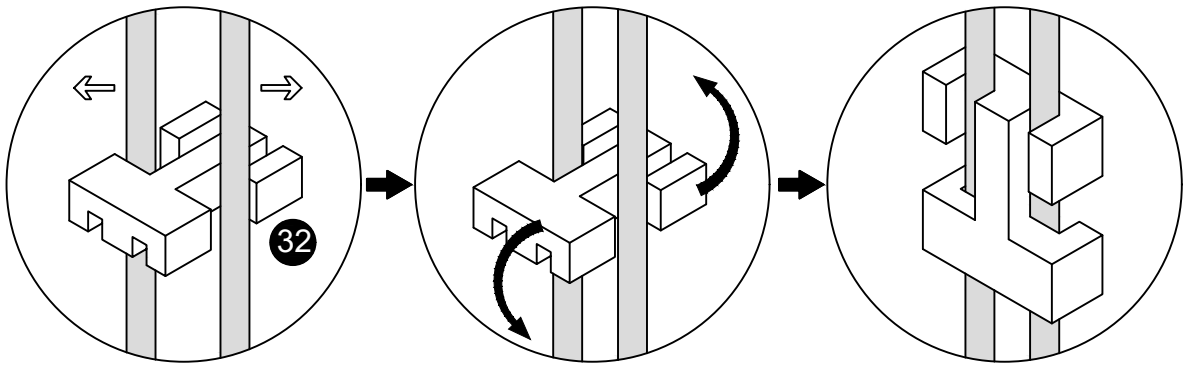
BED

19



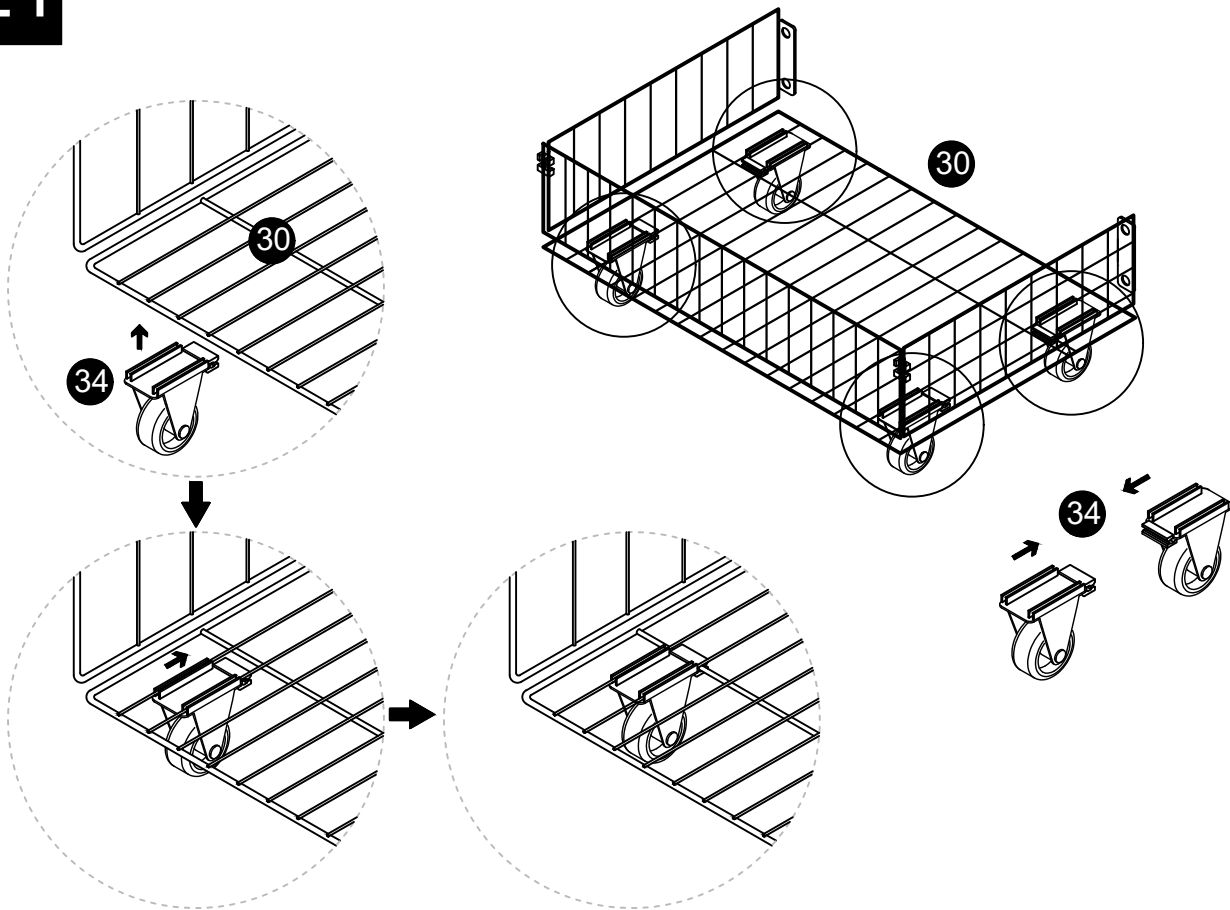
X2

20



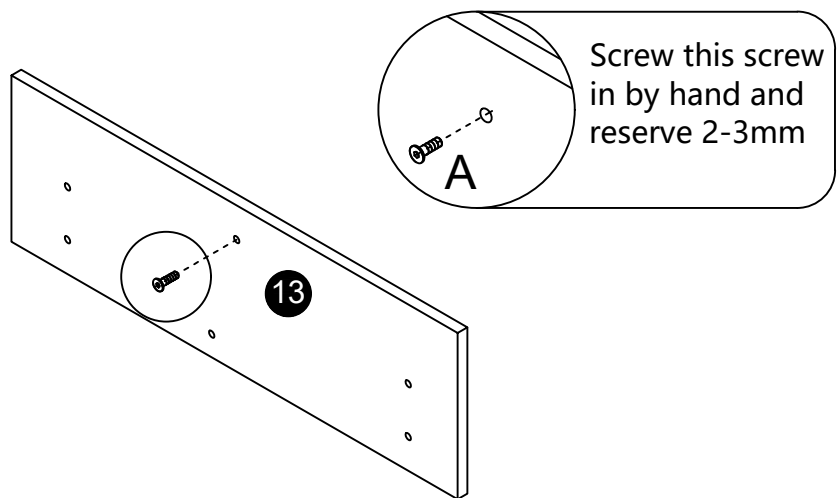
BED

21



22

A M6*15
X2

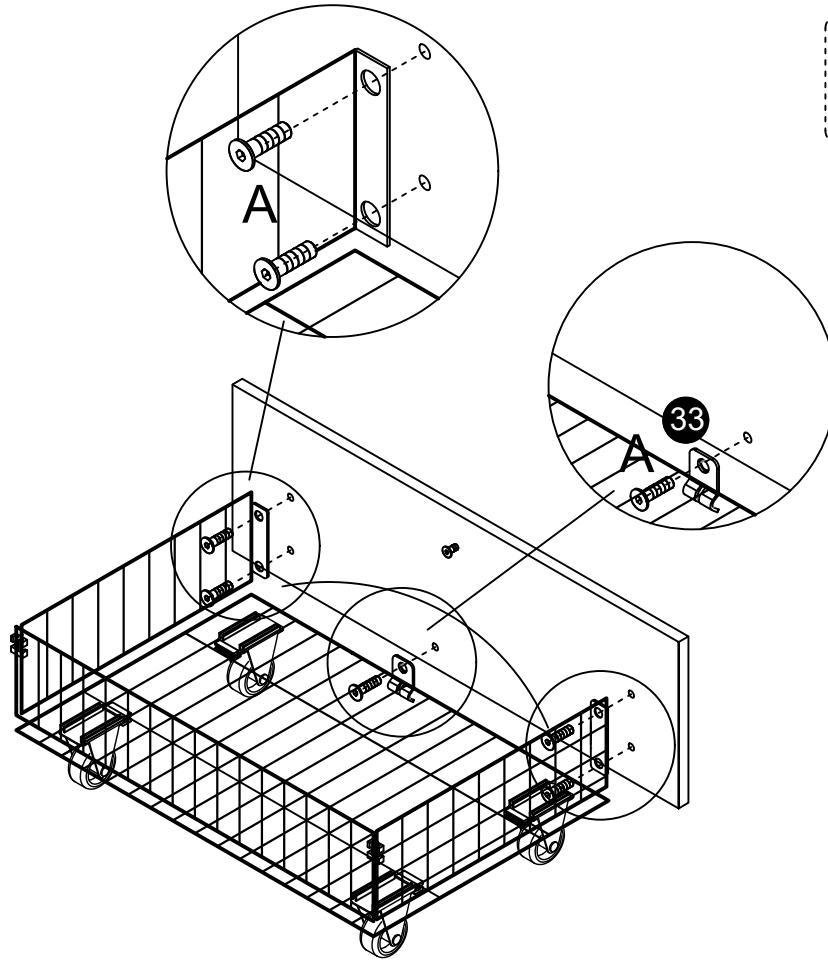


X2

BED

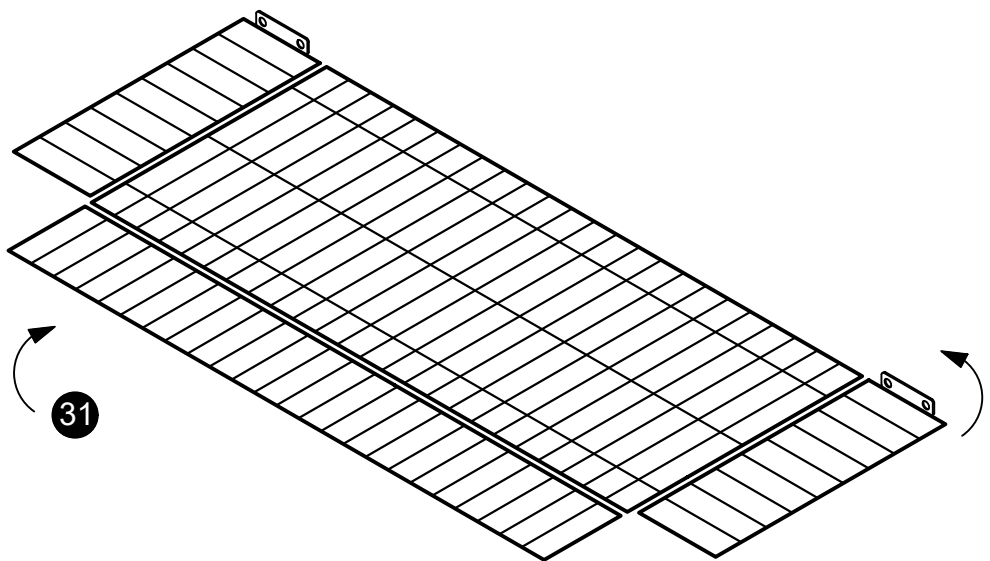
23

A M6*15
X10



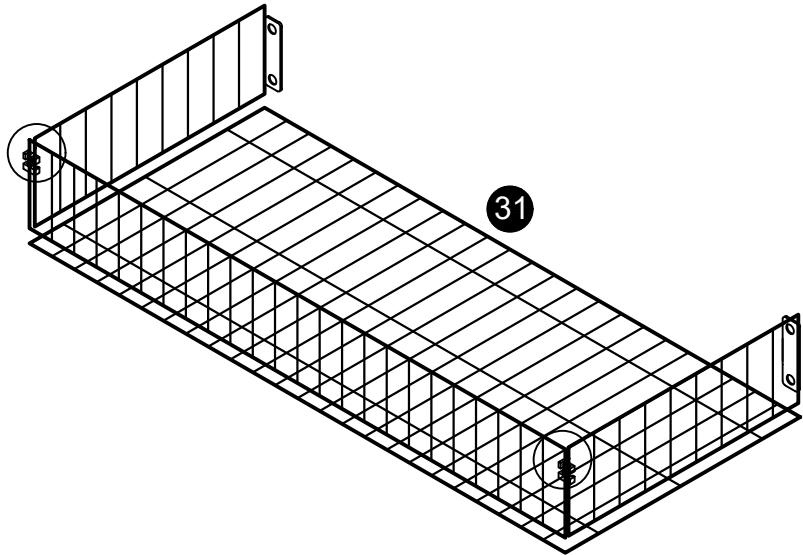
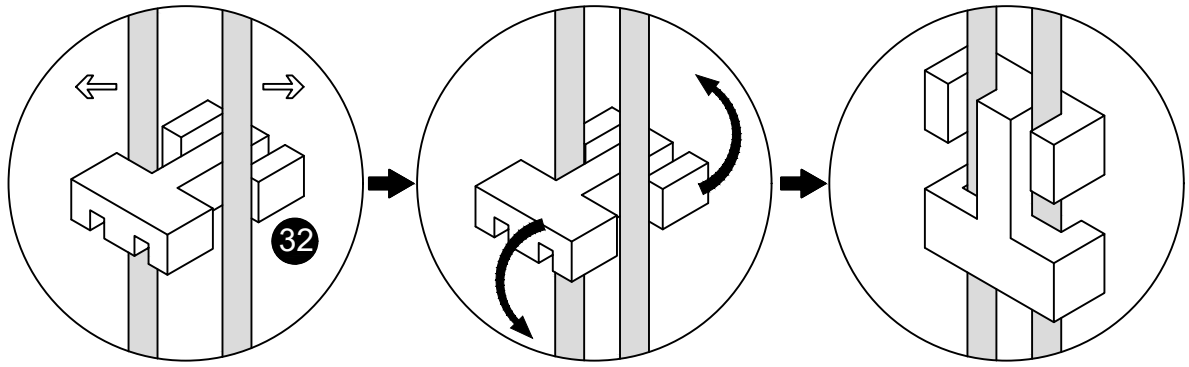
X2

24

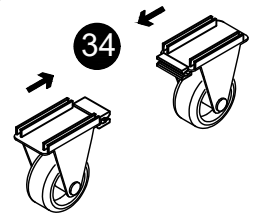
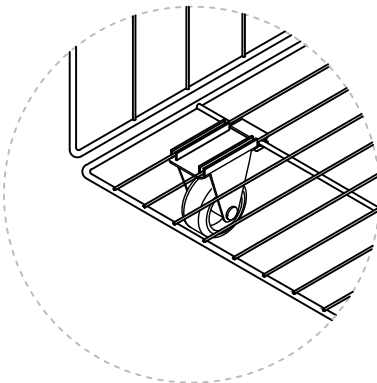
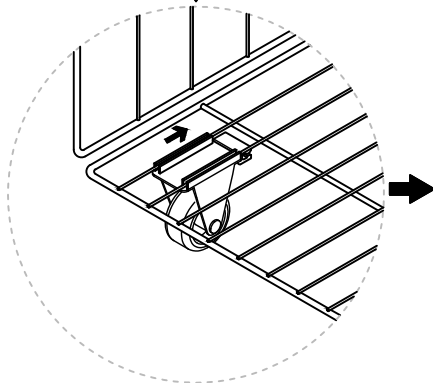
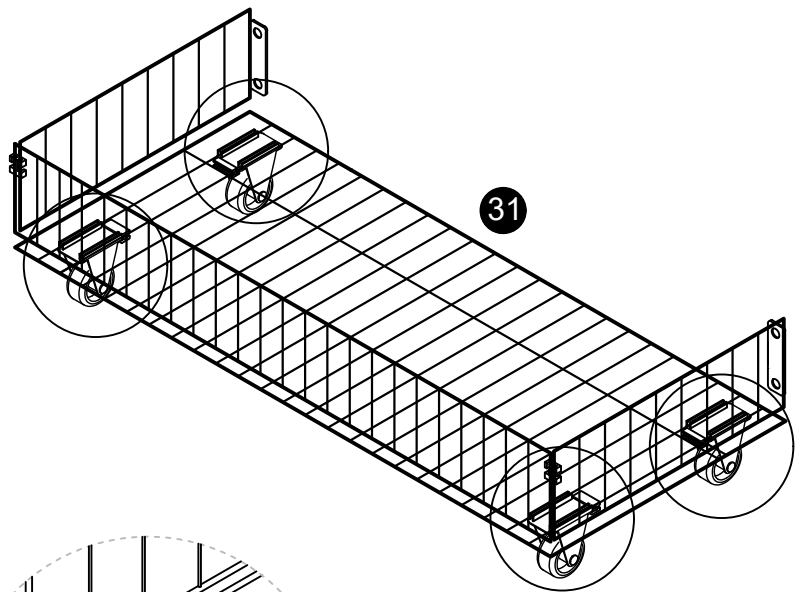
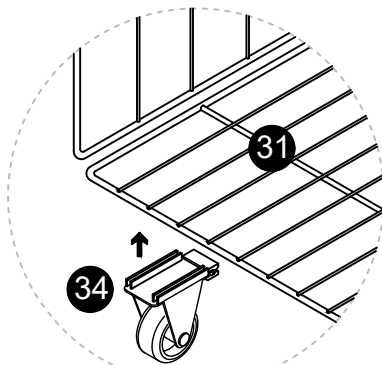


BED

25




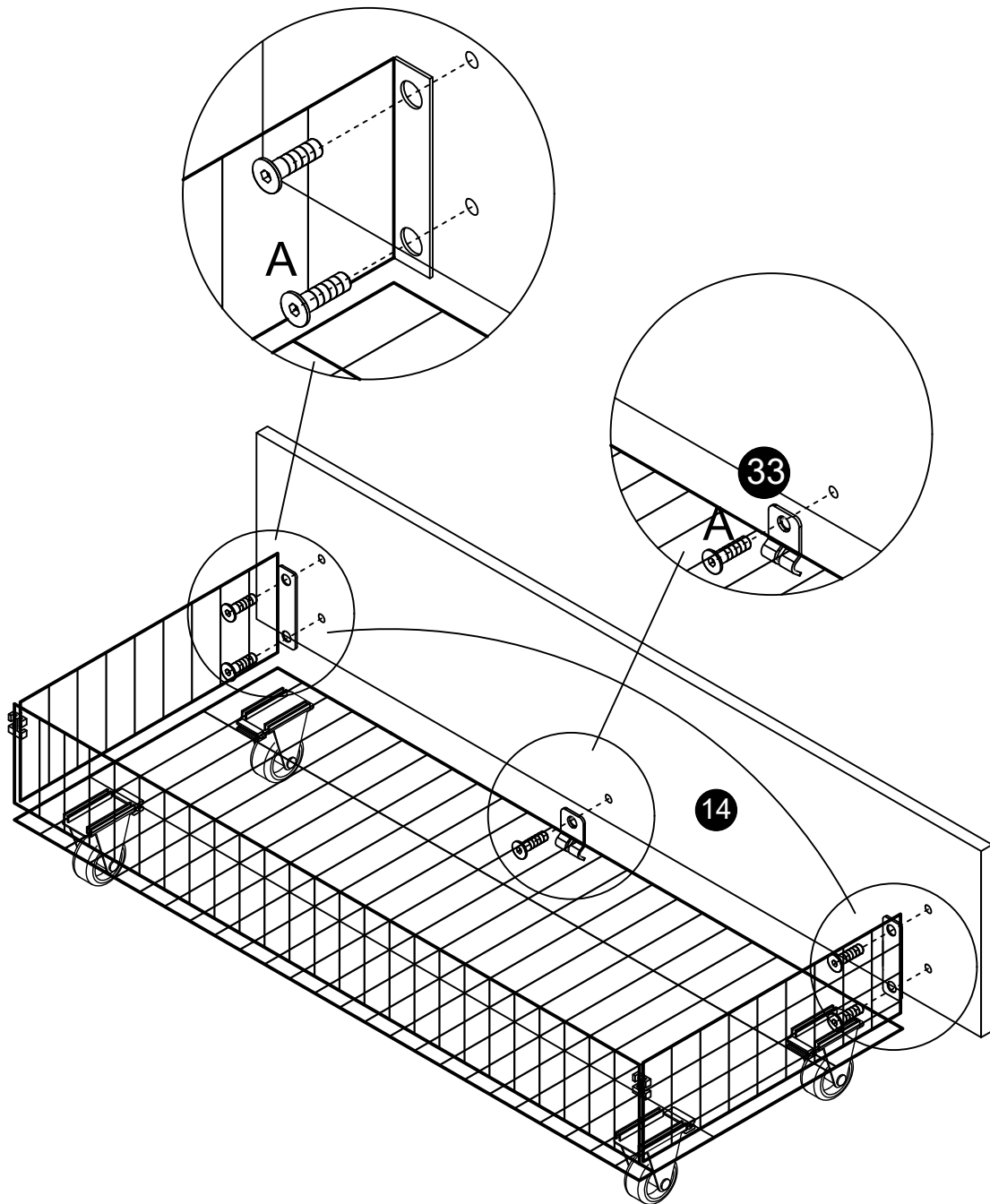
26



BED

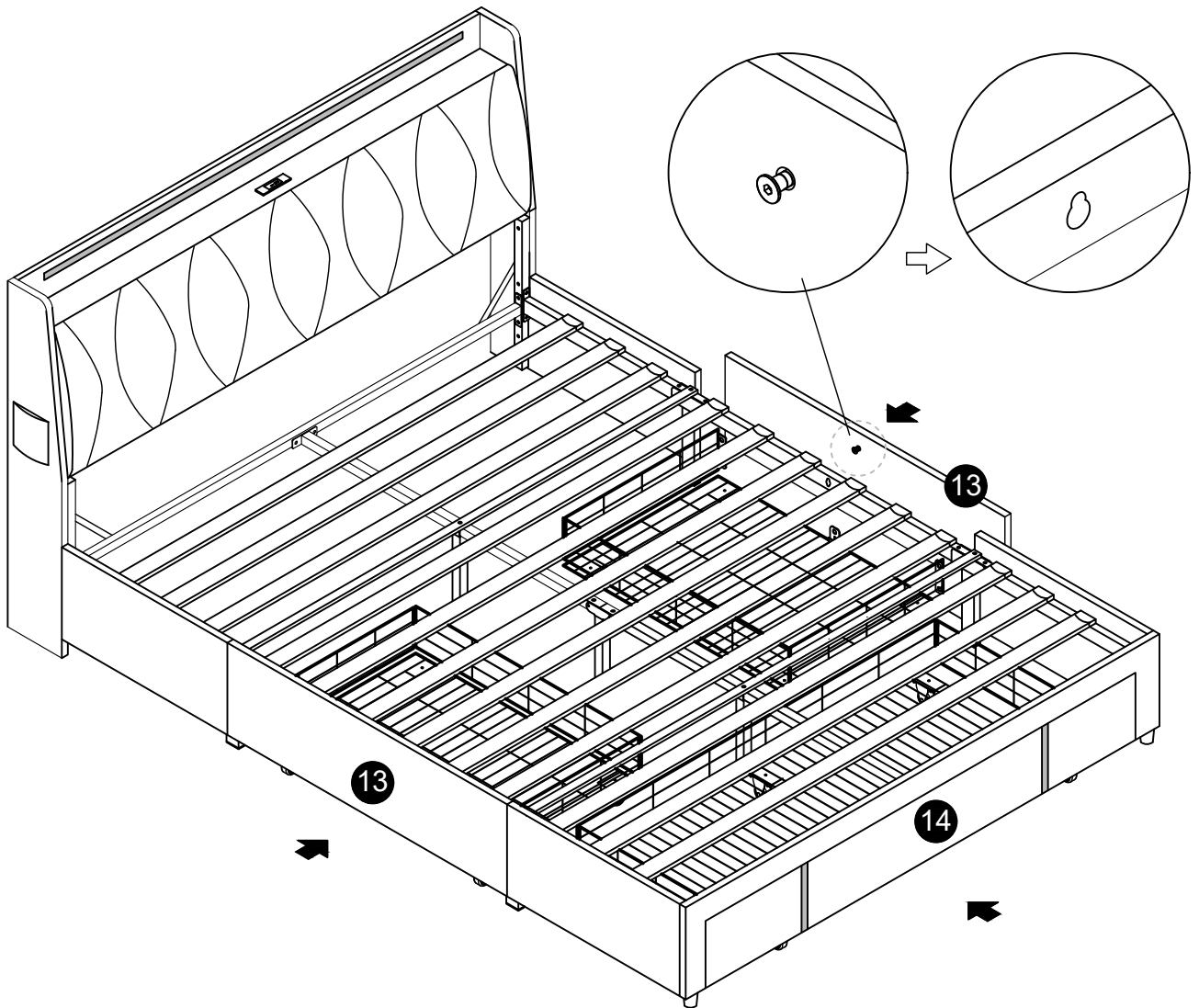
27

A M6*15
 X5



BED

28



Importer	COMHARBOR LIMITED	
Add	Unit C, Swift Point,Cosford Lane,Rugby,CV21 1PY,GB	
Emai/URL	harborcomhar@gmail.com	
Manufacturer	Shenzhen Pinchengxin Technology Co.,Ltd	
Add	3rd Floor,8th Building YuanlingIndustrial Zone,No.39 Yuanlingcun Road,Shiyan Street,Bao'an District,Shenzhen	
Emai/URL	Fosm11@foxmail.com	
Product identification	C757UVB20250520JQ	
Made in	Made in China	
	COMHARBOR LIMITED Unit C, Swift Point,Cosford Lane,Rugby, CV21 1PY,GBharborcomhar@gmail.com	
		Product Name:USB CHARGER Model: 5050 RGB Rated voltage: 5V Rated frequency:50/60HZ Power:5V2A ≤10W

Shenzhen ZKT Technology Co., Ltd.
1/F, No. 101, Building B, No. 6, Tangwei Community Industrial Avenue,
Fuhai Street, Bao'an District, Shenzhen, China



Certificate of Compliance

Certificate Number: ZKT-2405094943C

- Certificate' s Holder** : Shenzhen Pinchengxin Technology Co., Ltd
3rd Floor, 8th Building Yuanling Industrial Zone, No. 39
Yuanlingcun Road, Shiyan Street, Bao'an District,
Shenzhen
- Manufacturer** : Shenzhen Pinchengxin Technology Co., Ltd
3rd Floor, 8th Building Yuanling Industrial Zone, No. 39
Yuanlingcun Road, Shiyan Street, Bao'an District,
Shenzhen
- Trade Mark** : N/A
- Product** : 5050 RGB LED Strip Lights with Bluetooth App Controller
and 2.4G Remote
- Model(s)** : 5050 RGB LED Strip Lights
- Test Standard** : Art.3.1(a) Safety BS EN IEC 62368-1:2020+A11:2020
Art.3.1(a) Health BS EN IEC 62311:2020
BS EN 50665:2017
Art.3.1(b) EMC ETSI EN 301 489-1 V2.2.3 (2019-11)
ETSI EN 301 489-17 V3.2.4 (2020-09)
Art.3.2 Radio ETSI EN 300 328 V2.2.2 (2019-07)

This Attestation of Compliance is issued on a voluntary basis for electrical equipment below the voltage limits of Radio Equipment Directive (RED) SI 2017 No.1206. The essential requirements are fulfilled accordingly based on the technical specifications applicable at the time of issuance.



This Certificate of Conformity is based on single evaluation of the submitted sample(s) of the above mentioned product. It does not imply an assessment of the whole product and relevant Directives to be observed.

Attestation of Compliance



Attestation No. : LCSA08094161E
Approval Holder : Shenzhen Pinchengxin Technology Co., Ltd
Address : 3rd floor, 8 building Yuanling industrial zon, No. 39 Yuanlingcun road, Shiyan street, Bao'an district, Shenzhen
Manufacturer : Shenzhen Pinchengxin Technology Co., Ltd
Address : 3rd floor, 8 building Yuanling industrial zon, No. 39 Yuanlingcun road, Shiyan street, Bao'an district, Shenzhen
Brand Name : N/A
Product : 5050 RGB LED Strip Lights with Bluetooth App Controller
Type/Model Name : 5050 RGB
H/S Version : HW: 1.0
SW: 1.0

Attestation of the technical design of the radio equipment according to the following essential requirements set out in article 3 of the RED 2014/53/EU:

Article 3.1a): Health and Safety	Conform
Article 3.1b): Electromagnetic Compatibility	Conform
Article 3.2: Effective Use of the Radio Spectrum	Conform
CE-marking	

Marking Example (Class 1)



This attestation is issued in accordance with the Directive 2014/53/EU of the European Parliament and of the Council of 16 April 2014 on the harmonisation of the laws of the Member States relating to the making available on the market of radio equipment.

September 18, 2024

Date of issue



Manager

Shenzhen LCS Compliance Testing Laboratory Ltd.
Room 101, 201, Building A and Room 301, Building C, Juji Industrial Park, Yabianxueziwei, Shajing Street,
Bao'an District, Shenzhen, Guangdong, China
Tel: (86)0755-82591330 Fax: (86)0755-82591332
Http://www.lcs-cert.com Email: webmaster@lcs-cert.com



Shenzhen Pinchengxin Technology Co., Ltd

Federal Communications Commission
Authorization and Evaluation Division
Equipment Authorization Branch
7435 Oakland Mills Road
Columbia, MD 21046

9/2/2024

U.S. Agent Designation

Shenzhen Pinchengxin Technology Co., Ltd acknowledges their consent for the following contact located in the United States to act as their agent for service of process for the equipment for which authorization is sought (FCC ID: 2BKKLPCX-977):

Name and company of U.S. agent: FCC US Agent, LLC
Physical U.S. address of agent: 3722 Illinois Avenue, Saint Charles, IL, 60174, USA
FRN of U.S. agent: 0033402884
Email address of U.S. agent: Support@FCCUSAgent.com

FCC US Agent, LLC acknowledges their obligation to accept service of process on behalf of Shenzhen Pinchengxin Technology Co., Ltd.

Shenzhen Pinchengxin Technology Co., Ltd with the FRN 0035866896 accepts its obligation to maintain an agent for service of process in the United States for no less than one year after either the grantee has permanently terminated all marketing and importation of the applicable equipment within the U.S., or the conclusion of any Commission-related administrative or judicial proceeding involving the equipment, whichever is later.

By signing this form, we confirm the above and that we are aware of the application requirements listed under § 2.911(d)(7).

The information provided in this letter is based on the referenced rule parts of Title 47 of the CFR as well as KDB 986446 D01.

An expiration date for this letter does not exist. In case the U.S. agent changes, the grantee is obligated to notify the FCC within 30 days via the granting TCB.

Sincerely,

CHENG ZHANG

Signature
CHENG ZHANG
Manager
Shenzhen Pinchengxin Technology Co., Ltd

Tim
Tim Payne **Payne**
Digitally signed by Tim
Payne
DN: cn=Tim Payne, o=FCC
US Agent, LLC, ou=FCC US
Agent, LLC,
email=Support@fccusaagent
.com, c=US,
Date: 2024.09.02 20:14:06
-0500

Signature
Tim Payne
Manager
FCC US Agent, LLC