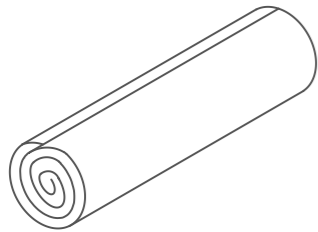


# ASSEMBLY INSTRUCTION

## HFSN-1217

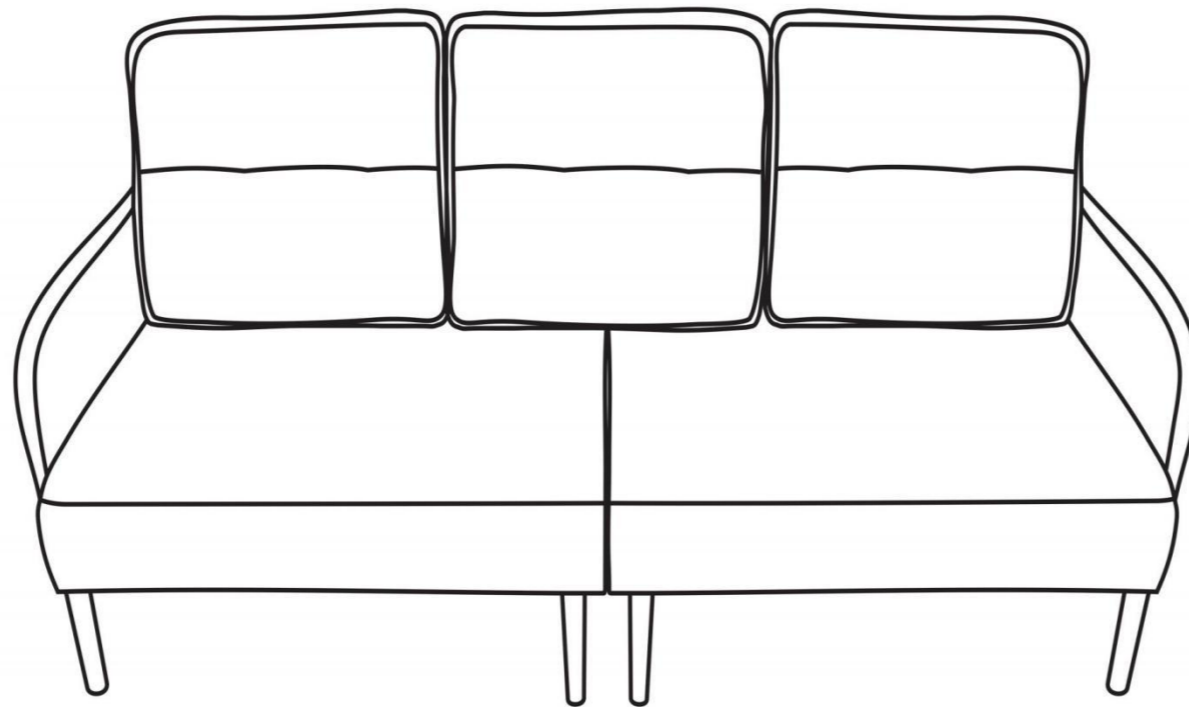


This product is a sponge product. After opening the compression bag, it should be left in place for 48~72 hours to allow the sponge to fully rebound.

Anti scratch cutting knife



Please use this cutting packaging bag  
Do not use a knife, as it may scratch the product



### PARTS LIST

NO	DESCRIPTION	SKETCH	QTY
A	Seat frame		2
B	Back cushion		1
C	Left armrest		1
D	Right armrest		1
E	Legs		4
F	Back frame		2
G	Backrest cover		2
H	Steel pipe		2

### HARDWARE

NO	DESCRIPTION	SKETCH	QTY
1	Washer		16
2	Gasket		4
3	Screws 8x65		4
4	Butterfly nut		4
5	Wrench		1
6	Screws 8x45		8

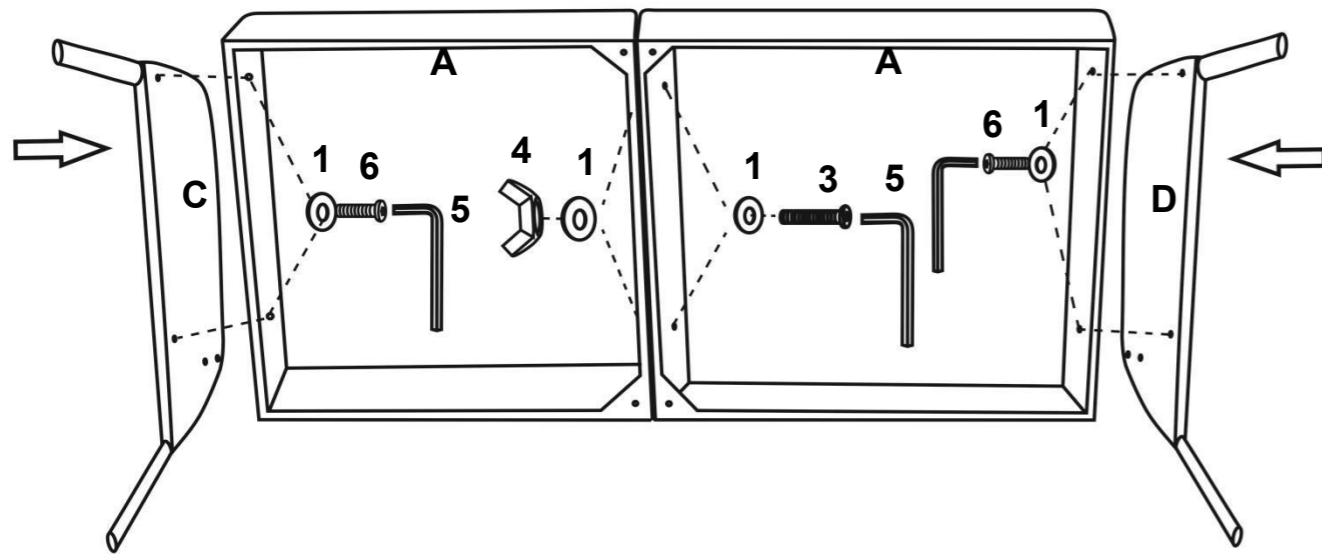
### IMPORTANT NOTE:

Do not tighten all screws/bolts until the furniture is completely assembled.

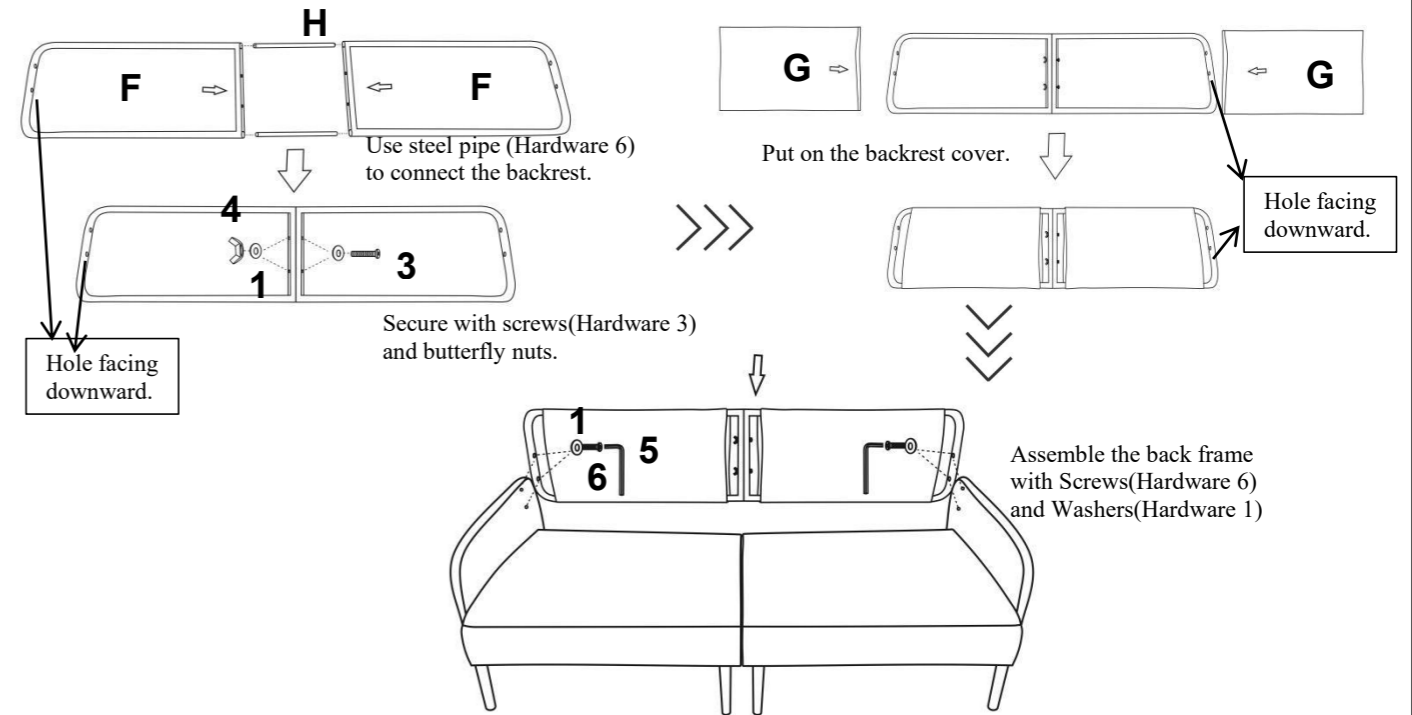
# ASSEMBLY INSTRUCTION

## DIAGRAM 1(Assemble the Seat frame and Armrest)

Assemble Seat Frame(Part A) with Butterfly Nuts(Hardware 4) ,Washers(Hardware 1) and Screws(Hardware 3). Then, assemble the Left and Right Armrests(Part C and Part D) to the Seat Frame with Washers(Hardware 1) and Screws(Hardware 6).

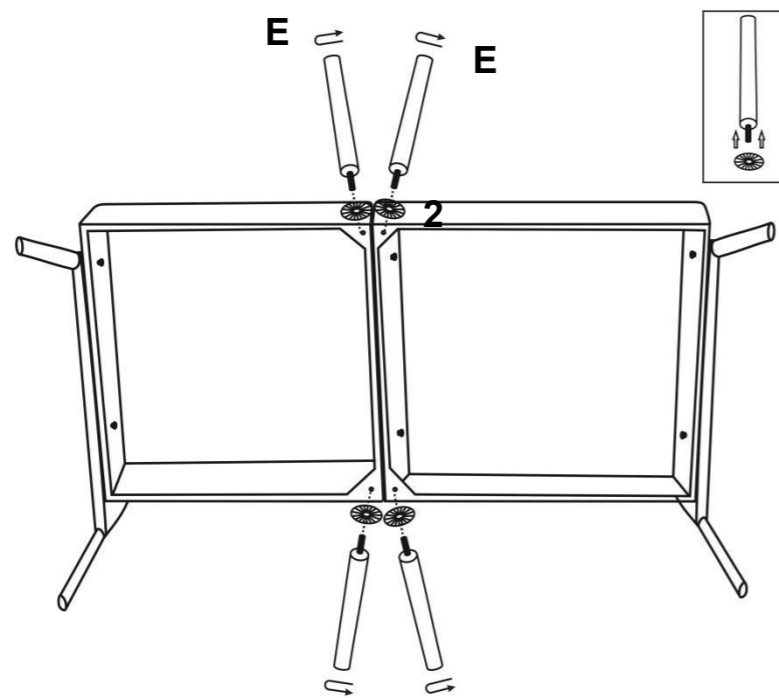


## DIAGRAM 3(Assemble the Back Frame)



## DIAGRAM 2(Assemble the Legs)

Assemble the Legs(Part E) on the sofa with Gaskets(Hardware 2)



## DIAGRAM 4(Assemble the Back Cushion)

Install the back cushion and secure it as shown in the picture.

