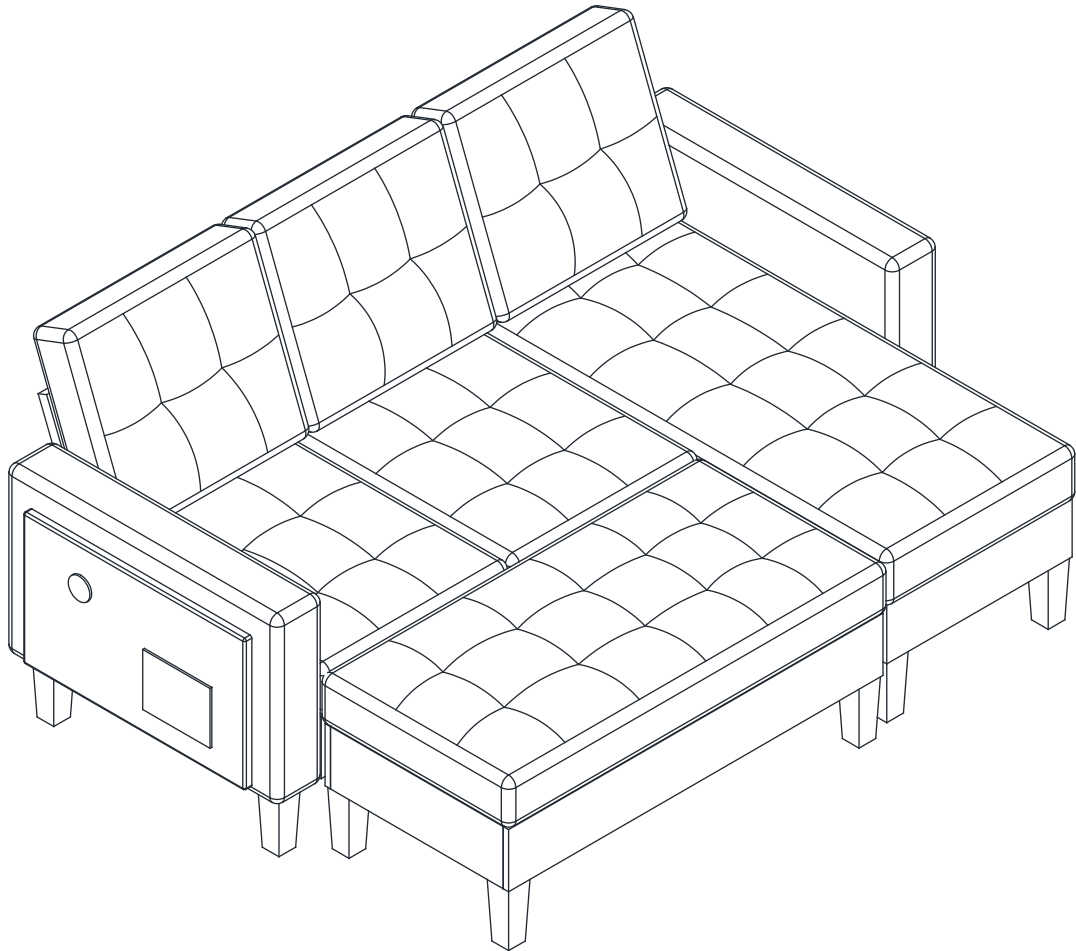


ASSEMBLY INSTRUCTION

ASSEMBLERBEFEHL

INSTRUCTIONS DE MONTAGE

ITEM#N621P322010
N621P322011
N621P322012




Unser Produkt wird Ihnen in 3 Paketen geliefert. Die Lieferzeiten dieser 3 Pakete können abweichen, bitte haben Sie etwas Geduld und vielen Dank für Ihr Verständnis.

Our product will be delivered to you in 3 packages. The delivery times of these 3 packages may differ, please be patient and thank you for your understanding.

Notre produit vous sera livré en 3 colis. Les délais de livraison de ces 3 colis peuvent différer, soyez patient et merci pour votre compréhension.



Importeur	Decobus Handel GmbH
Adresse	Innungsstraße 9, 21244 Buchholz, Deutschland
Email/URL	https://www.decobusgroup.de
Hersteller	Xiamen Crystal Integration Home Furnishing Co., LTD
Adresse	No.6788-5 Binhai West Avenue, Tongan District, Xiamen City, Fujian Province, China.
Email/URL	sale05@cherrishome.com
Partienummer	C616XCR20250508GL
Hergestellt in	China
	Decobus Handel GmbH Innungsstraße 9, 21244 Buchholz, Deutschland https://www.decobusgroup.de



[DE]

Warnung: Lesen Sie die Anleitung vor dem Zusammenbau bitte vollständig durch. Überprüfen Sie, ob Sie alle auf den Seiten aufgeführten Komponenten und Werkzeuge haben.

Warnung: Überprüfen Sie regelmäßig alle Beschläge und Befestigungen, um sicherzustellen, dass sie sicher sind und um Unfälle zu vermeiden.

Warnung: Stellen Sie Möbel nicht in die Nähe von Feuerquellen oder heißen Gegenständen, um Brandgefahr zu vermeiden.

Warnung: Erlauben Sie Kindern nicht, auf die Möbel zu klettern, da dies zum Umkippen und zu schweren Verletzungen führen kann. Bauen Sie die Möbel außerhalb der Reichweite von Kindern zusammen.

[EN]

Warning: Please read instructions fully before starting assembly. Check you have all the components and tools listed on pages.

Warning: Regularly check all fittings and fastenings to ensure they are secure and to prevent accidents.

Warning: Do not place furniture close to fire sources or high-temperature objects to avoid the risk of fire.

Warning: Do not allow children to climb on the furniture as this may result in tipping and serious personal injury. Assemble the furniture away from the reach of children.

[FR]

Avertissement : Veuillez lire entièrement les instructions avant de commencer l'assemblage. Vérifiez que vous disposez de tous les composants et outils répertoriés sur les pages.

Avertissement : Vérifiez régulièrement tous les accessoires et fixations pour vous assurer qu'ils sont bien fixés et pour éviter les accidents.

Avertissement : Ne placez pas les meubles à proximité de sources de feu ou d'objets à haute température pour éviter tout risque d'incendie.

Avertissement : Ne laissez pas les enfants grimper sur les meubles car cela pourrait entraîner un basculement et des blessures graves. Assemblez les meubles hors de portée des enfants.

[IT]

Attenzione: leggere attentamente le istruzioni prima di iniziare il montaggio. Verificare di avere tutti i componenti e gli utensili elencati nelle pagine.

Attenzione: controllare regolarmente tutti i raccordi e gli elementi di fissaggio per assicurarsi che siano sicuri e prevenire incidenti.

Attenzione: non posizionare i mobili vicino a fonti di fuoco o oggetti ad alta temperatura per evitare il rischio di incendio.

Attenzione: non consentire ai bambini di arrampicarsi sui mobili poiché ciò potrebbe causare ribaltamenti e gravi lesioni personali. Montare i mobili lontano dalla portata dei bambini.

[ES]

Advertencia: Lea las instrucciones completamente antes de comenzar el montaje. Compruebe que tiene todos los componentes y herramientas que se enumeran en las páginas.

Advertencia: Compruebe periódicamente todos los accesorios y sujeciones para asegurarse de que estén seguros y evitar accidentes.

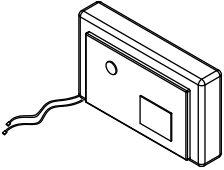
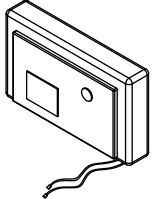
Advertencia: No coloque los muebles cerca de fuentes de fuego u objetos a alta temperatura para evitar el riesgo de incendio.

Advertencia: No permita que los niños se suban a los muebles, ya que esto puede provocar que vuelquen y lesiones personales graves. Monte los muebles fuera del alcance de los niños.

STÜCKLISTEN KASTEN 1:N621P322010

PART LISTS BOX 1:N621P322010

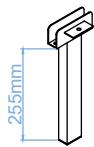
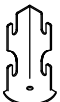

LISTES DE PIÈCES CASE 1:N621P322010

Teile-Nr. Part NO. N° de pièce	TeileImage Part Image Partie Image	QTY QTY QTÉ	Teile-Nr. Part NO. N° de pièce	TeileImage Part Image Partie Image	QTY QTY QTÉ
10		1			
11		1			

STÜCKLISTEN KASTEN 1:N621P322011

PART LISTS BOX 1:N621P322011

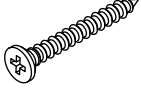
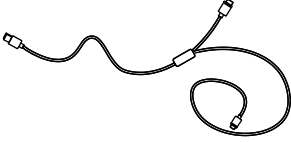
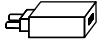
LISTES DE PIÈCES CASE 1:N621P322011

Teile-Nr. Part NO. N° de pièce	TeileImage Part Image Partie Image	QTY QTY QTÉ	Teile-Nr. Part NO. N° de pièce	TeileImage Part Image Partie Image	QTY QTY QTÉ
7		2	B	 M8*40	4
8		8	C	 M8*50	4
9		12	D	 M8*65	1
12		3	E	 M8*35	14
13		1	F	 M8	1
14		2	G	 M8	1
20		1	H	 M8	1
A	 M8*18	40	I	 M8*25	2

STÜCKLISTEN KASTEN 1:N621P322011

PART LISTS BOX 1:N621P322011

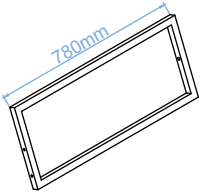
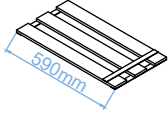
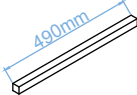
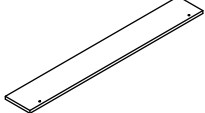
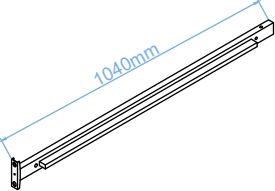
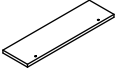
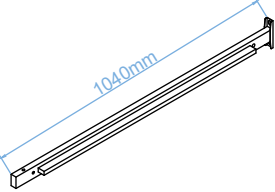
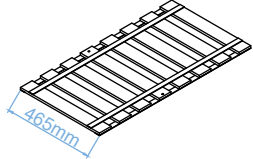
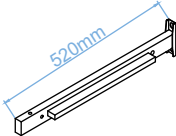
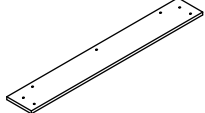
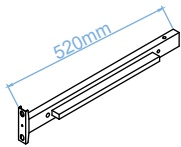
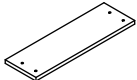
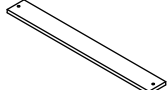
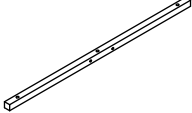
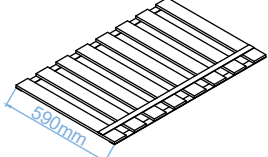
LISTES DE PIÈCES CASE 1:N621P322011

Teile-Nr. Part NO. N° de pièce	TeileImage Part Image Partie Image	QTY QTY QTÉ	Teile-Nr. Part NO. N° de pièce	TeileImage Part Image Partie Image	QTY QTY QTÉ
J	 M4*30	4			
K		1			
L		1			

STÜCKLISTEN KASTEN 1:N621P322012

PART LISTS BOX 1:N621P322012

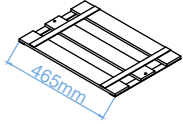
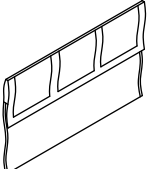
LISTES DE PIÈCES CASE 1:N621P322012

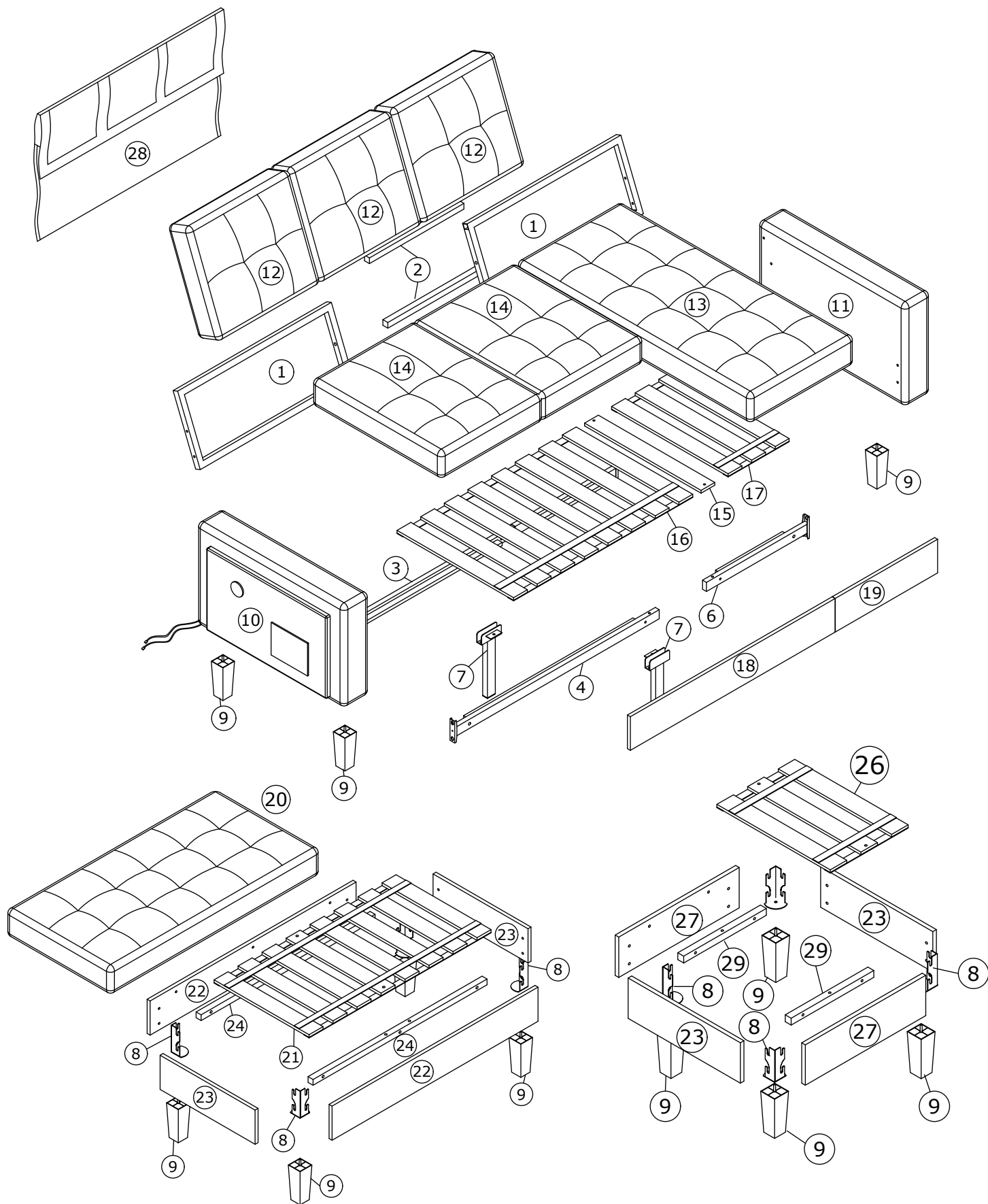
Teile-Nr. Part NO. N° de pièce	TeileImage Part Image Partie Image	QTY QTY QTÉ	Teile-Nr. Part NO. N° de pièce	TeileImage Part Image Partie Image	QTY QTY QTÉ
1		2	17		1
2		2	18		1
3		1	19		1
4		1	21		1
5		1	22		2
6		1	23		4
15		1	24		2
16		1			

STÜCKLISTEN KASTEN 1:N621P322012

PART LISTS BOX 1:N621P322012

LISTES DE PIÈCES CASE 1:N621P322012

Teile-Nr. Part NO. N° de pièce	TeileImage Part Image Partie Image	QTY QTY QTÉ	Teile-Nr. Part NO. N° de pièce	TeileImage Part Image Partie Image	QTY QTY QTÉ
26		1			
27		2			
28		1			
29		2			

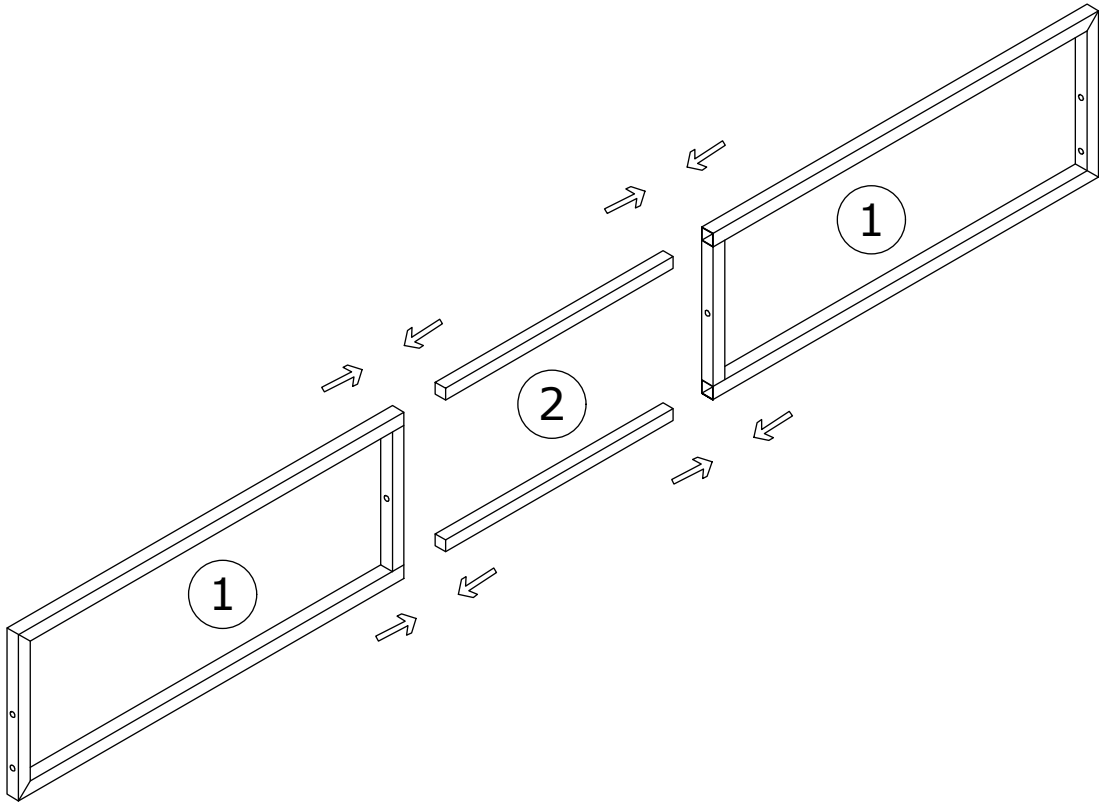


Sofa Overall Assembly Drawing

Sofa Gesamtmontagezeichnung

Dessin d'assemblage global du canapé

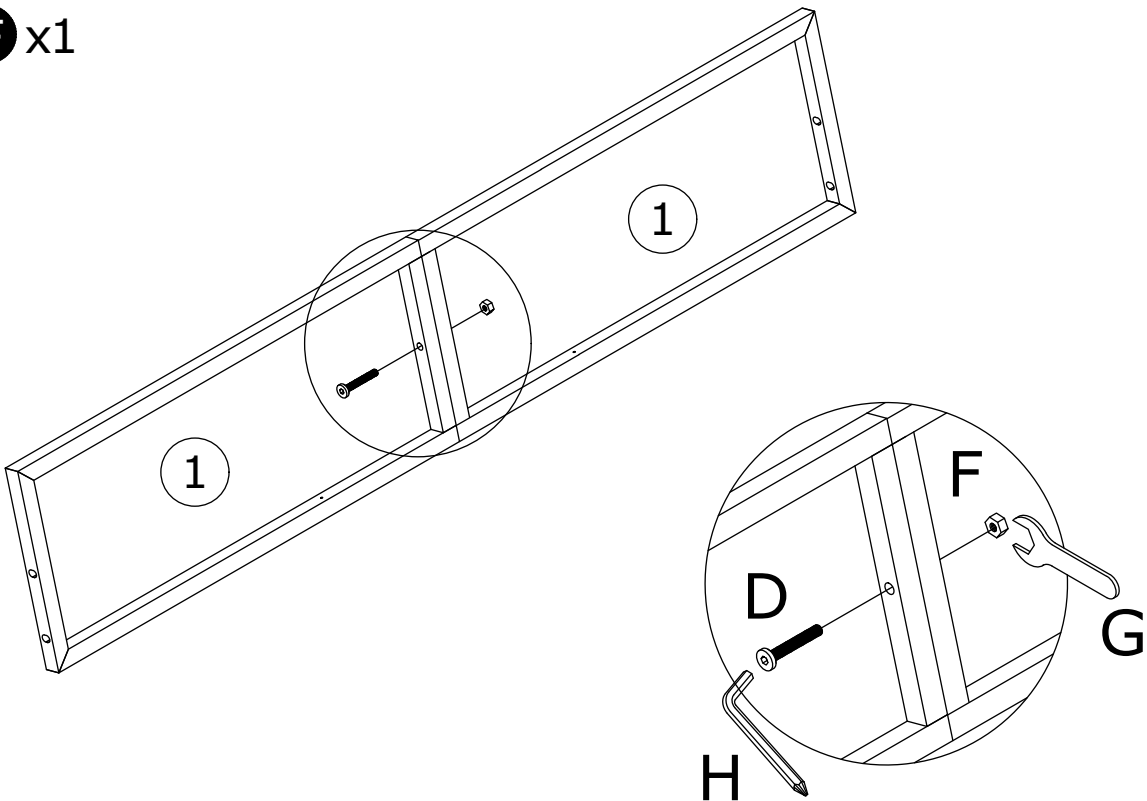
1



2

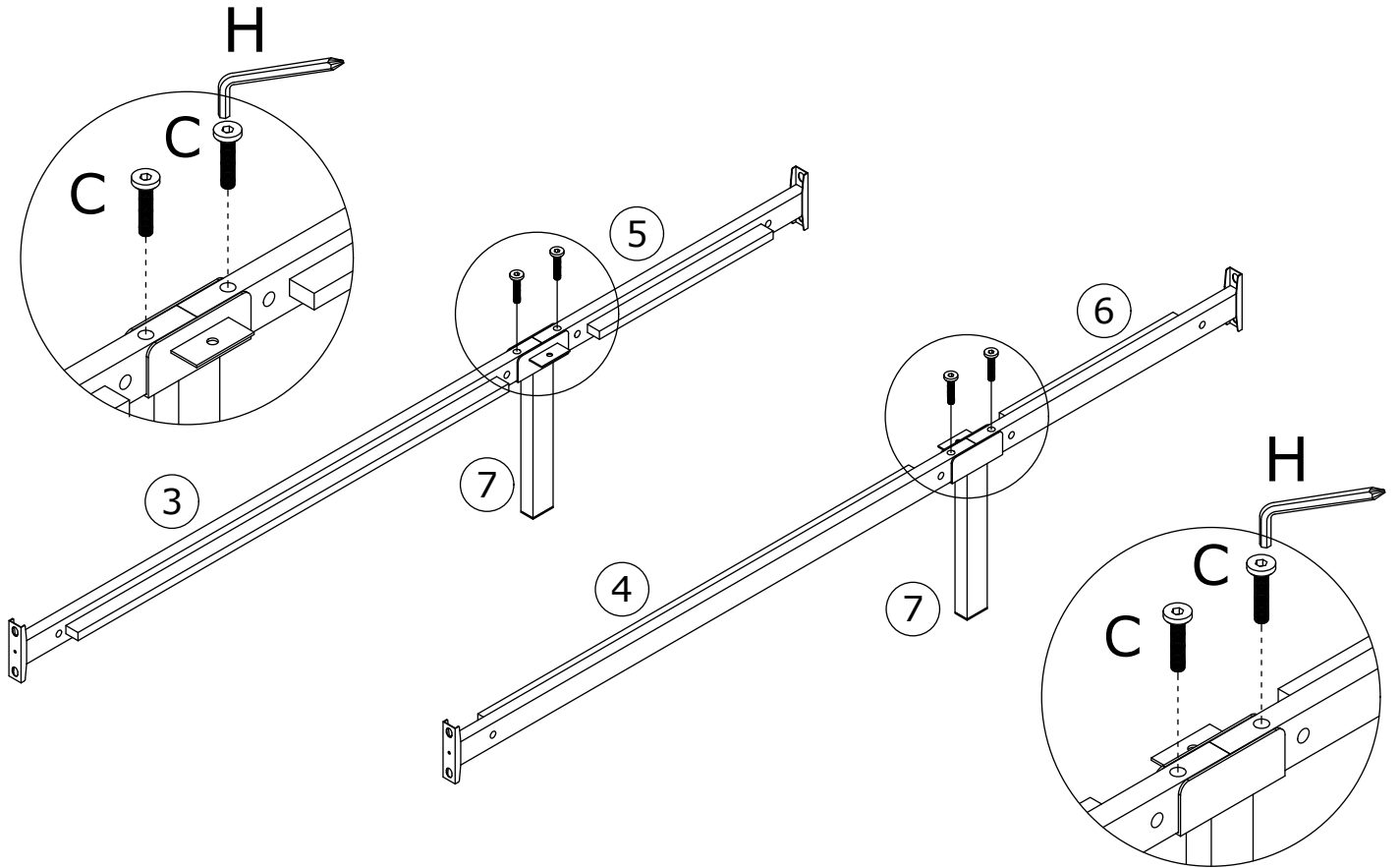
 M8*65 **D** x1

 M8 **F** x1



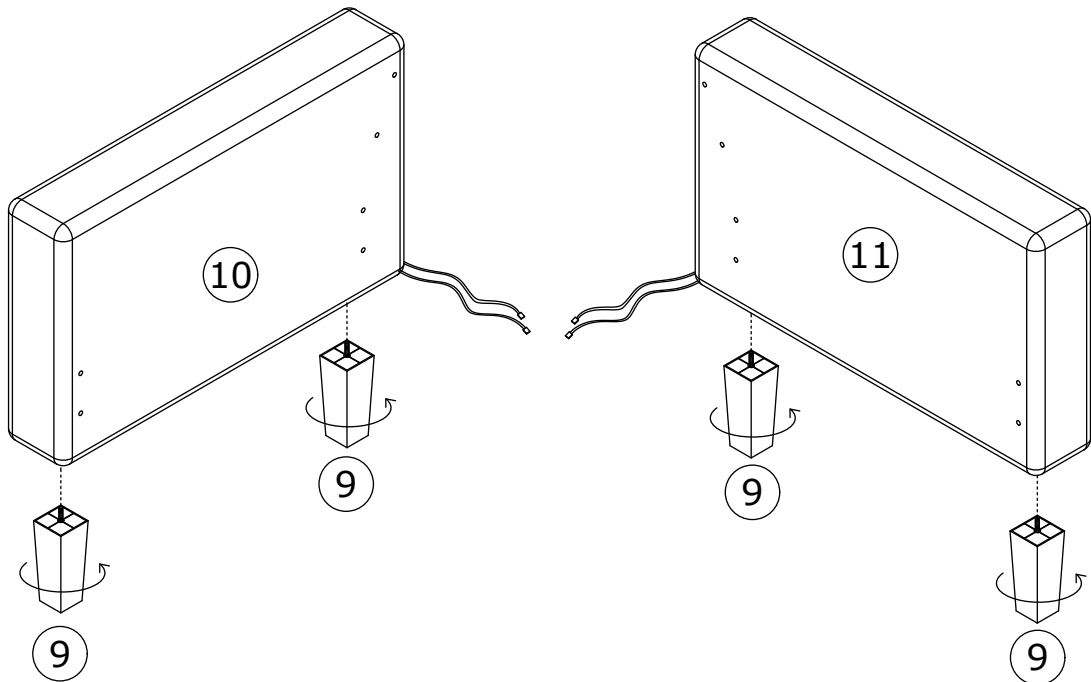
3

M8*50 **C** x4



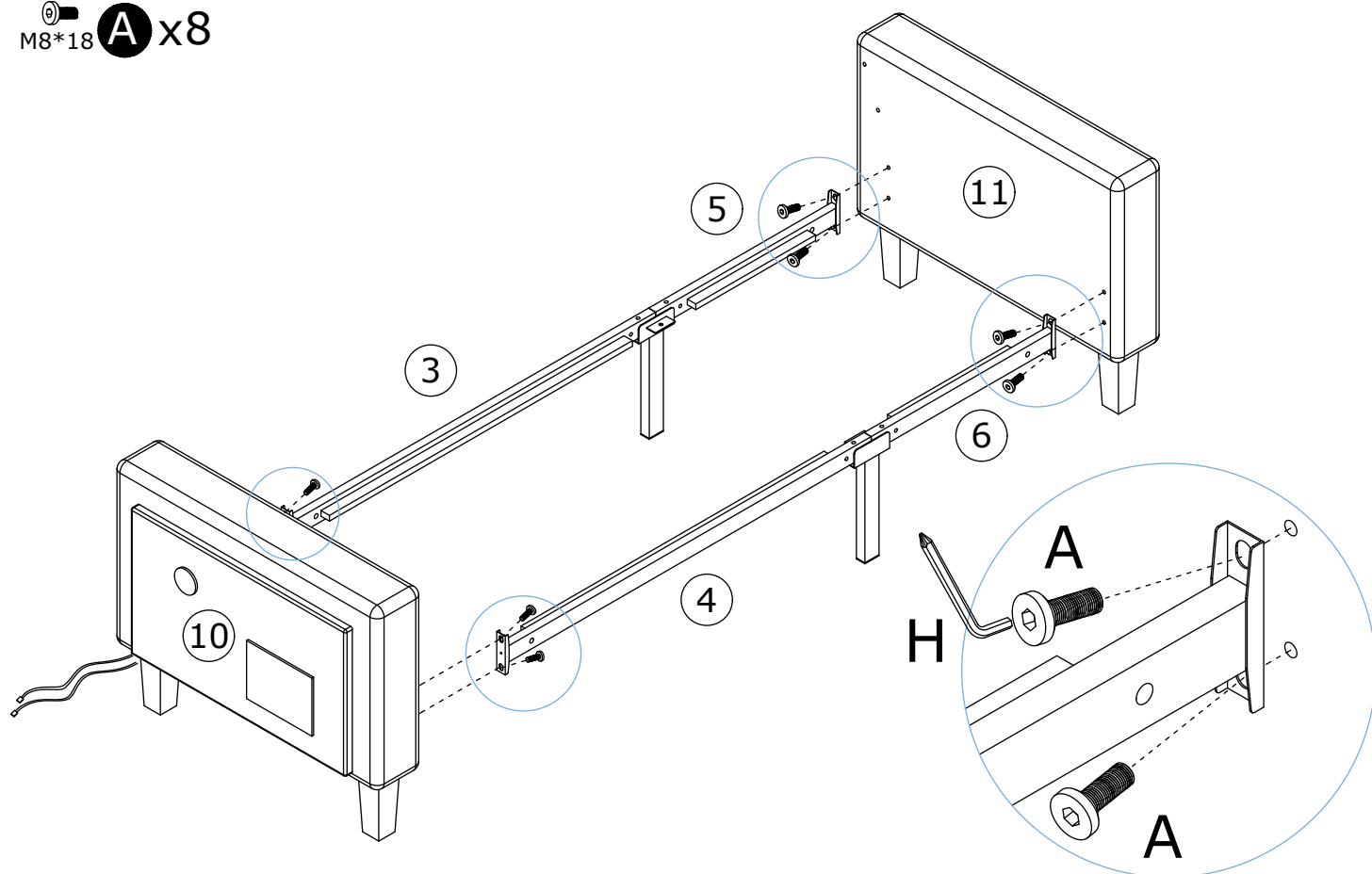
4

9 x4



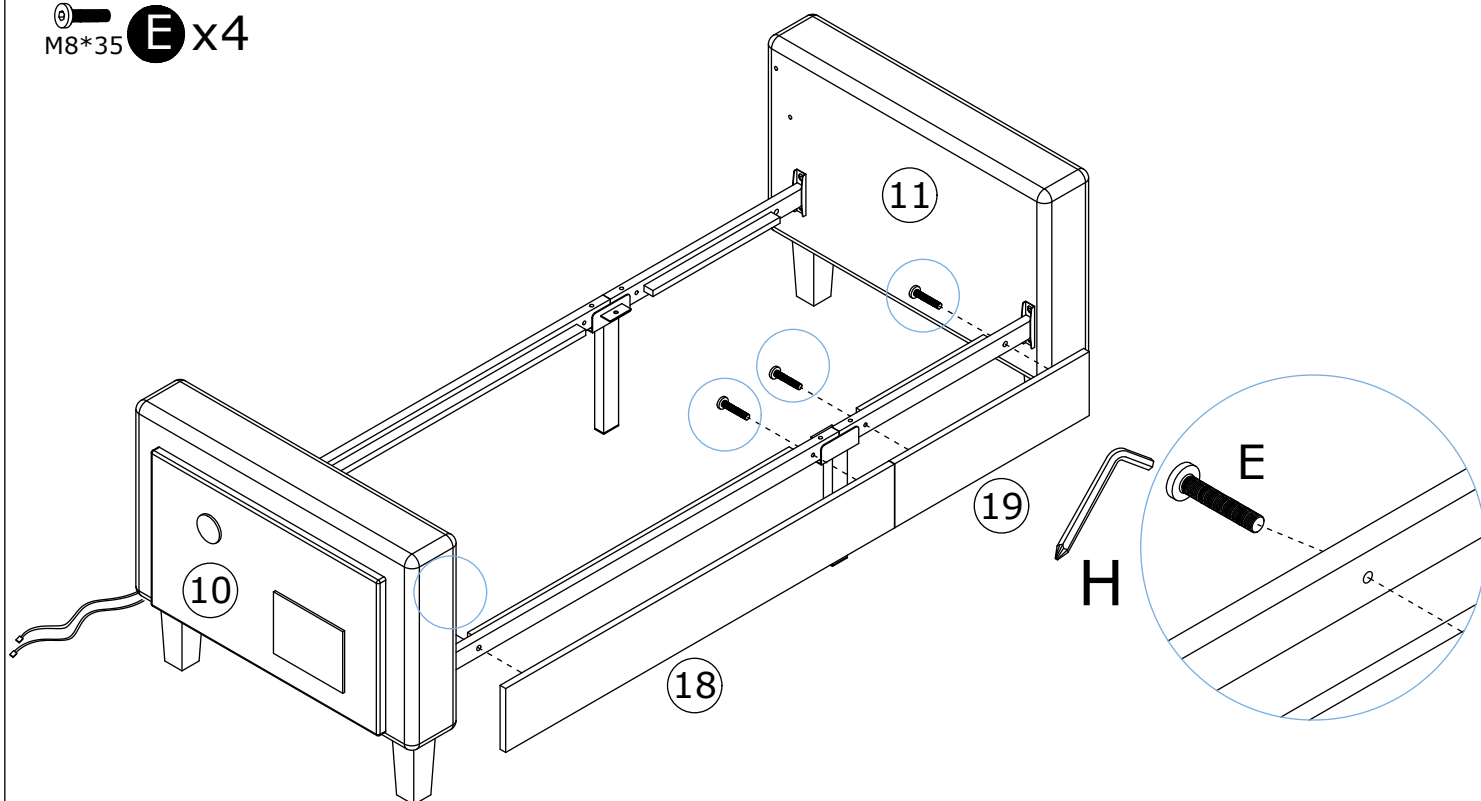
5

M8*18 **A** x8



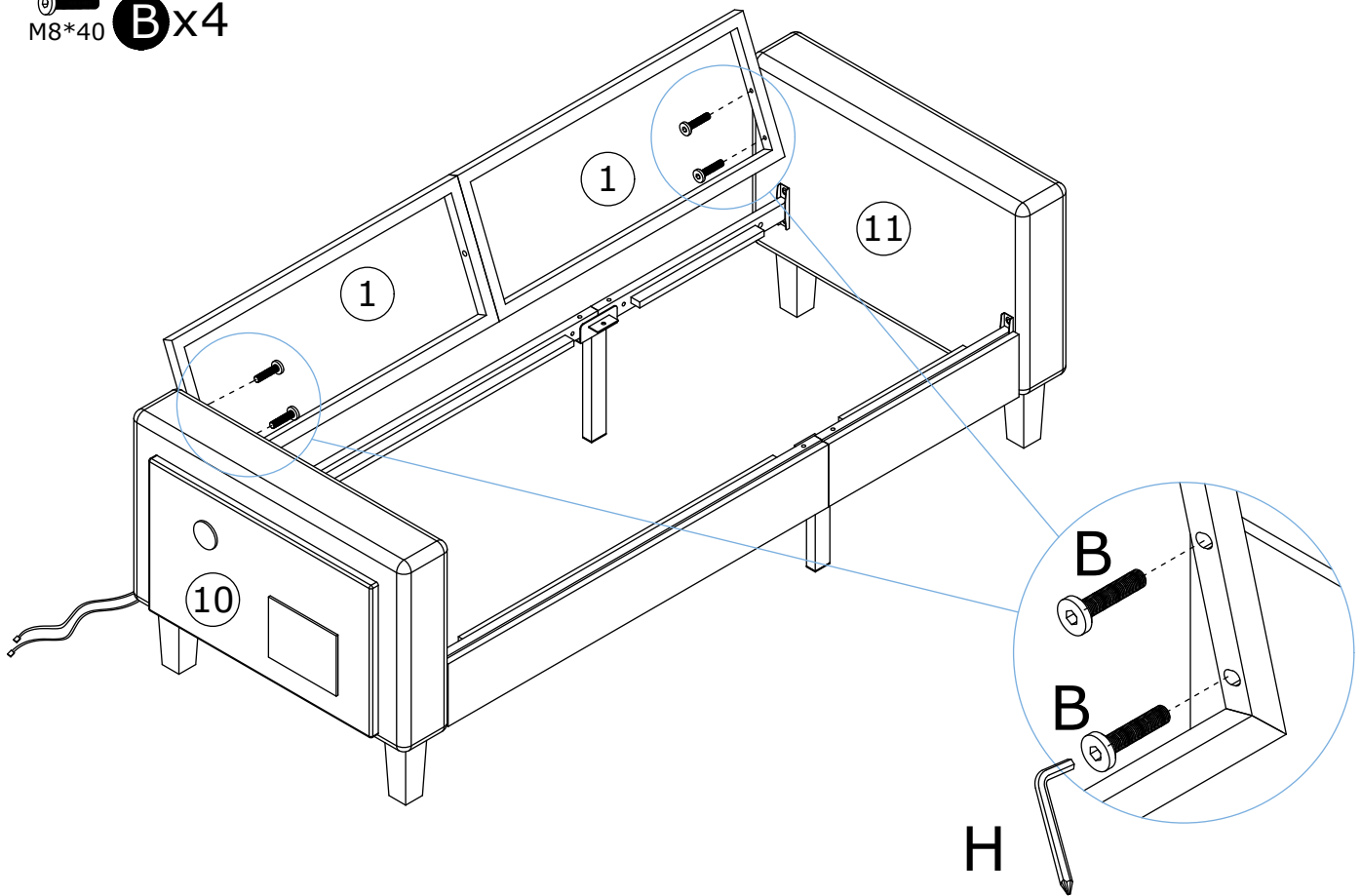
6

M8*35 **E** x4



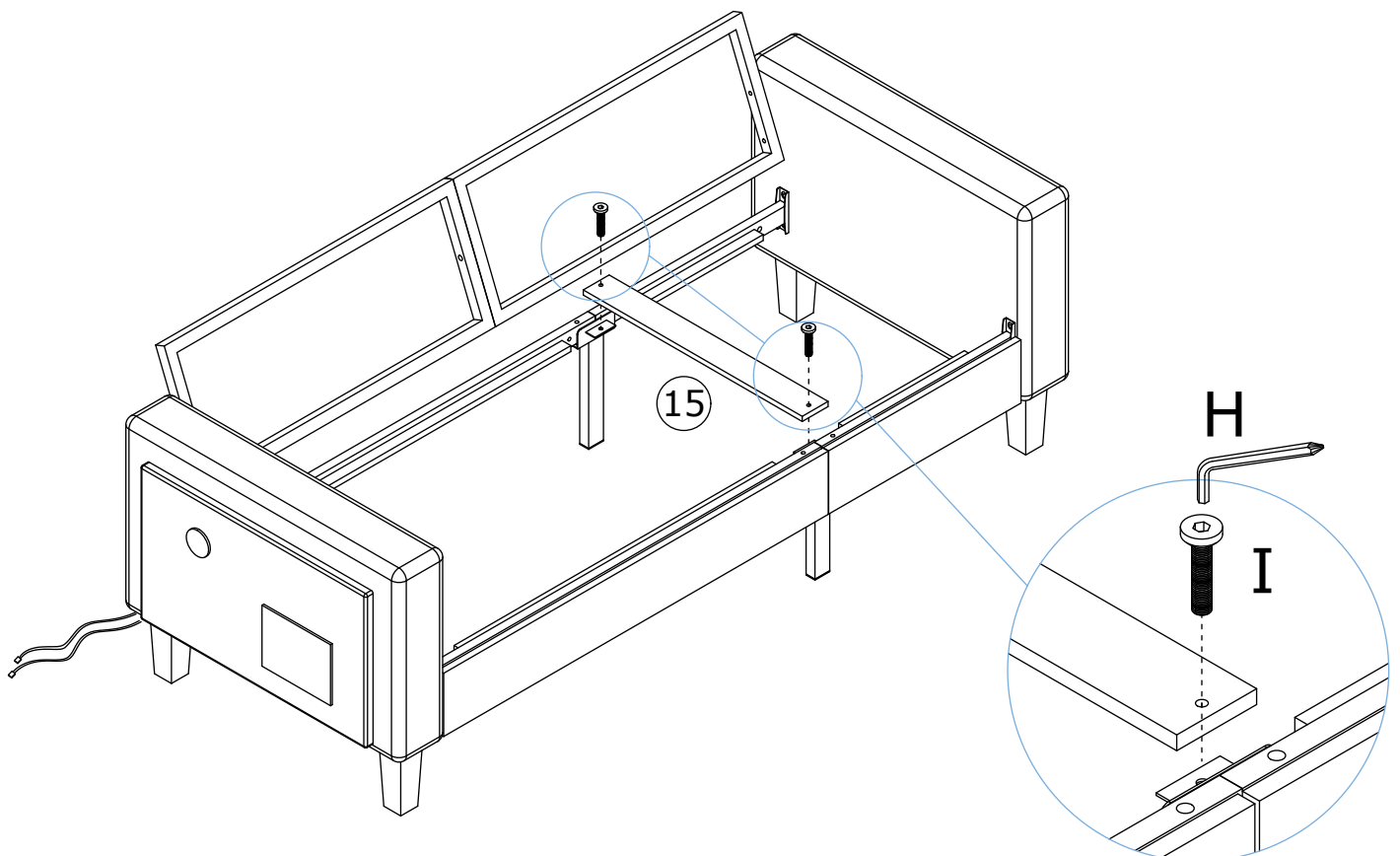
7

M8*40 **B** x4

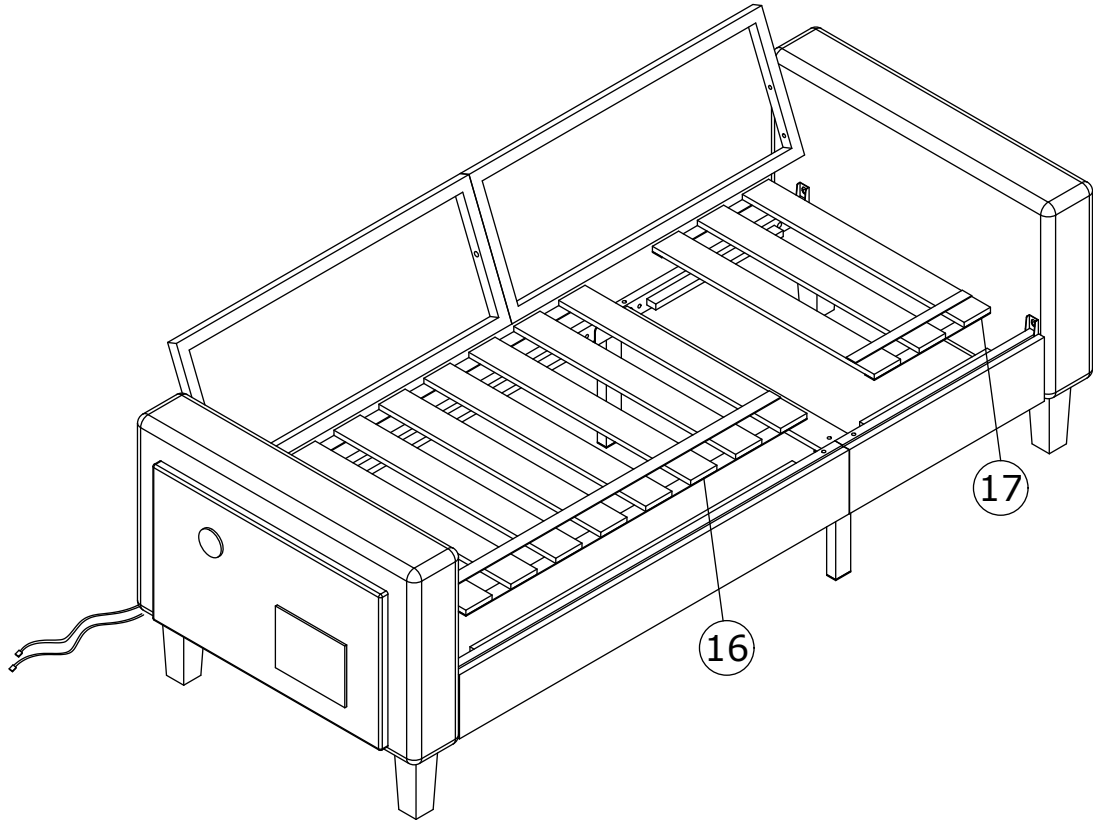


8

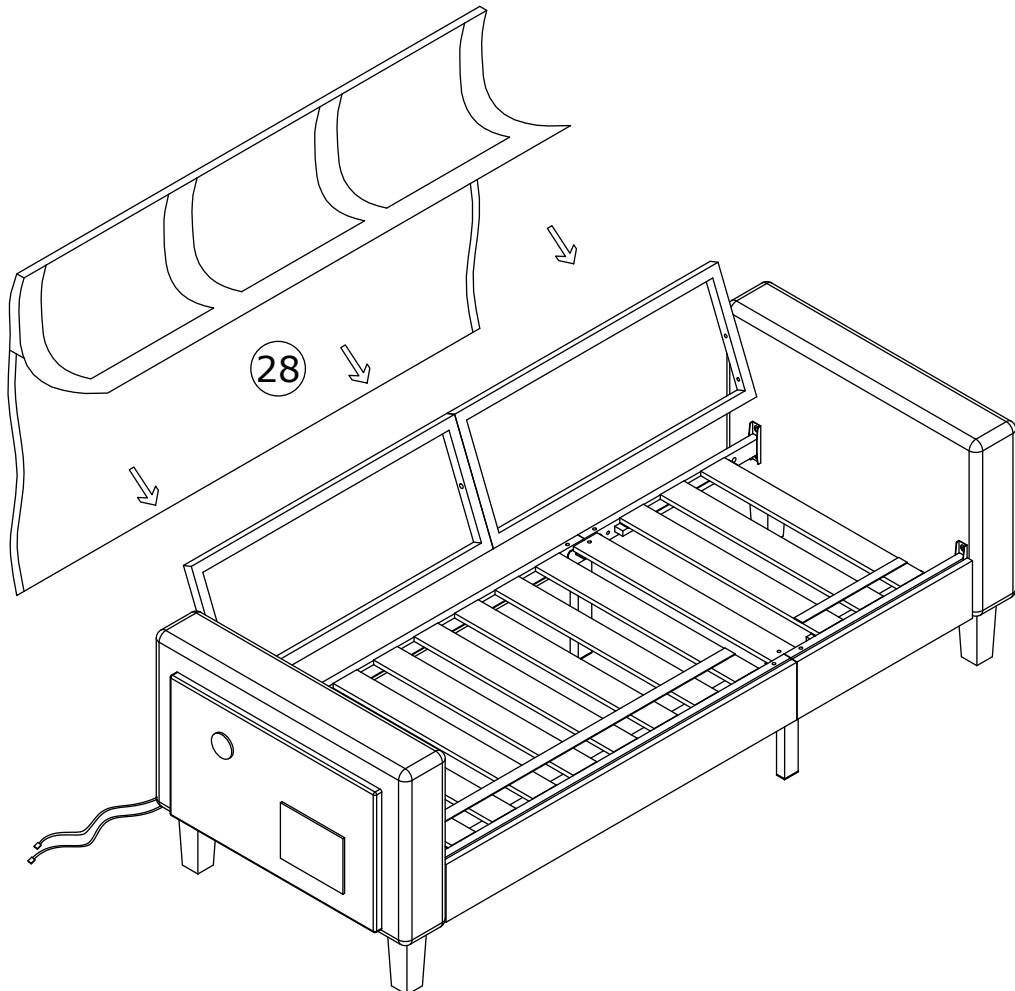
M8*25 **I** x2



9



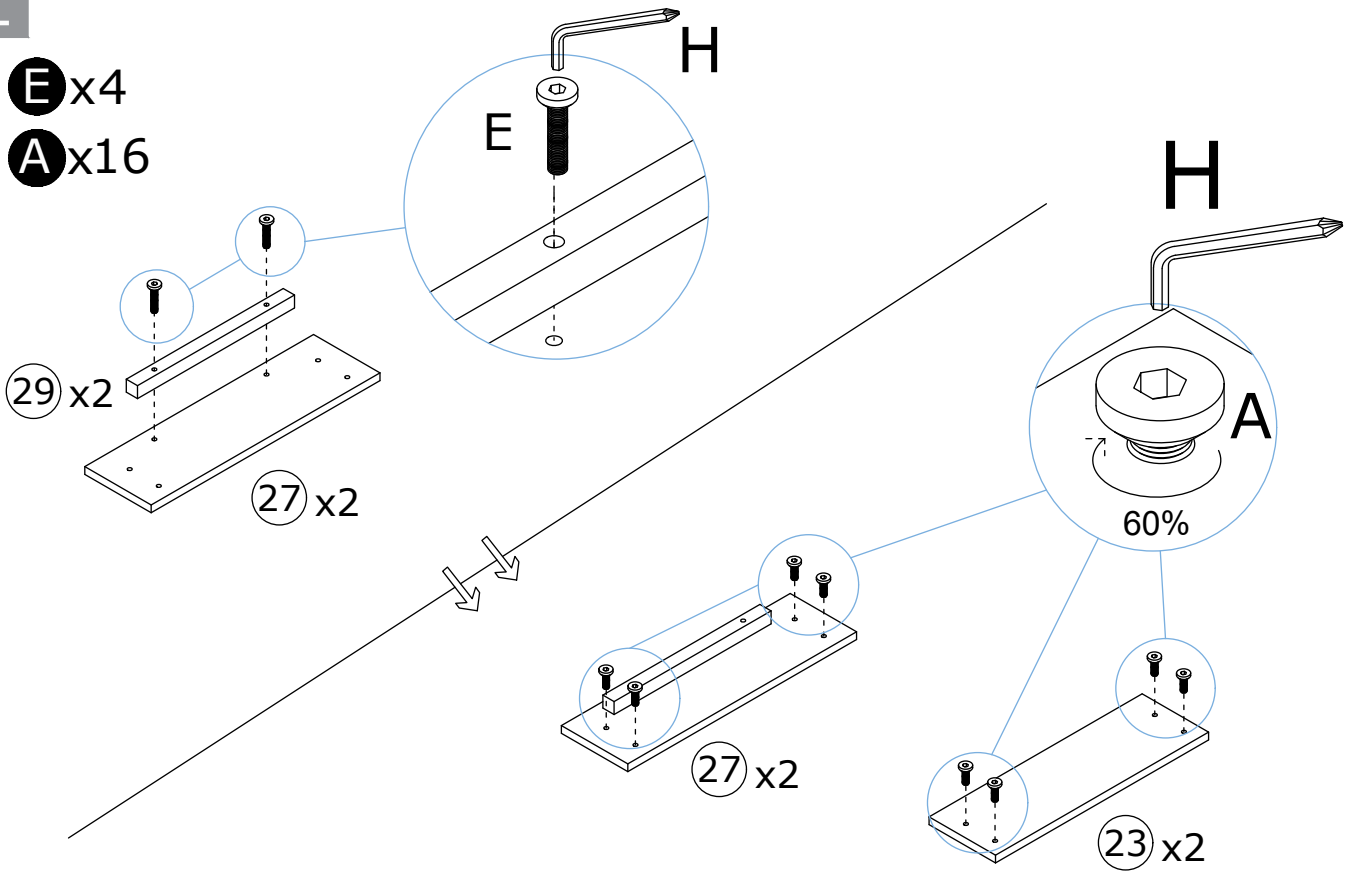
10



11

M8*35 **E** x4

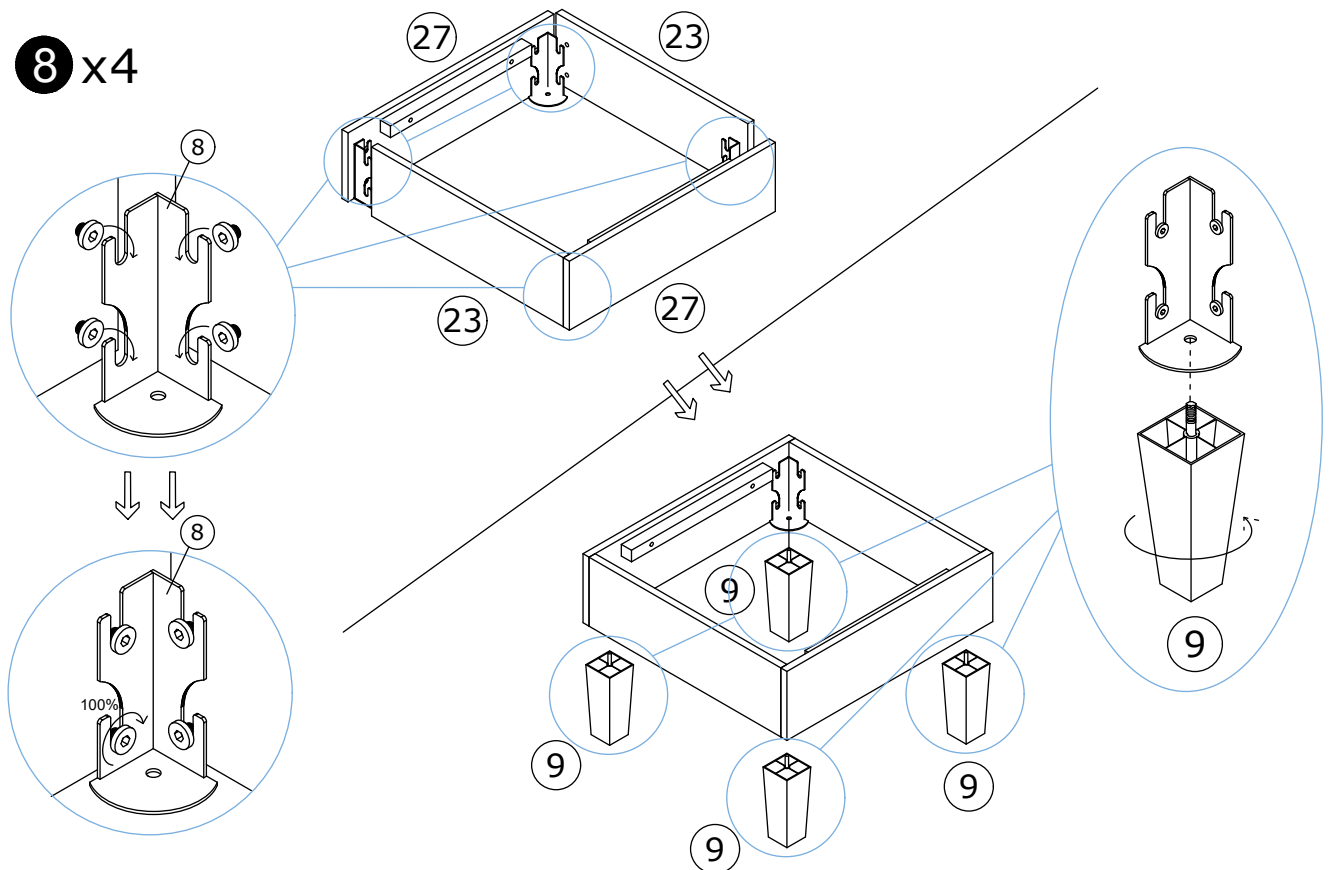
M8*18 **A** x16



12

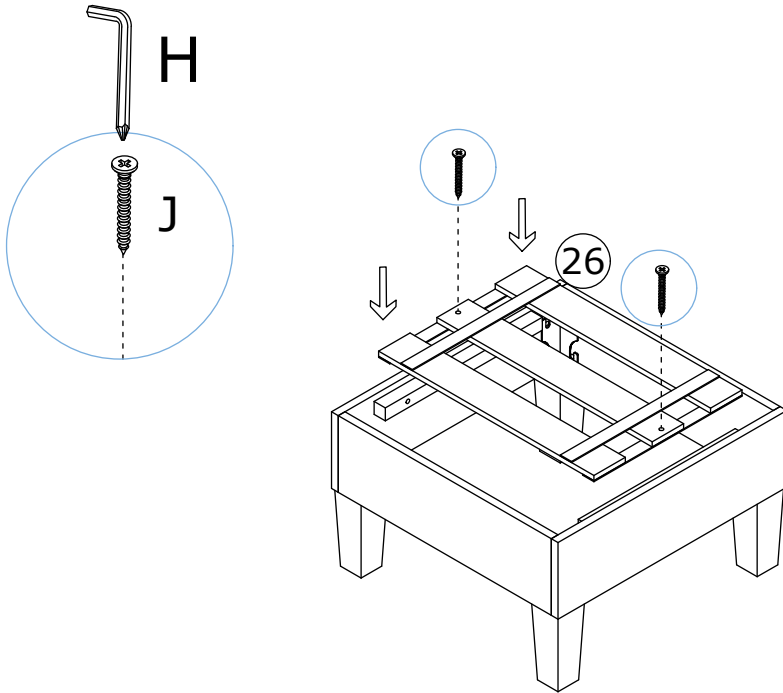
9 x4

8 x4

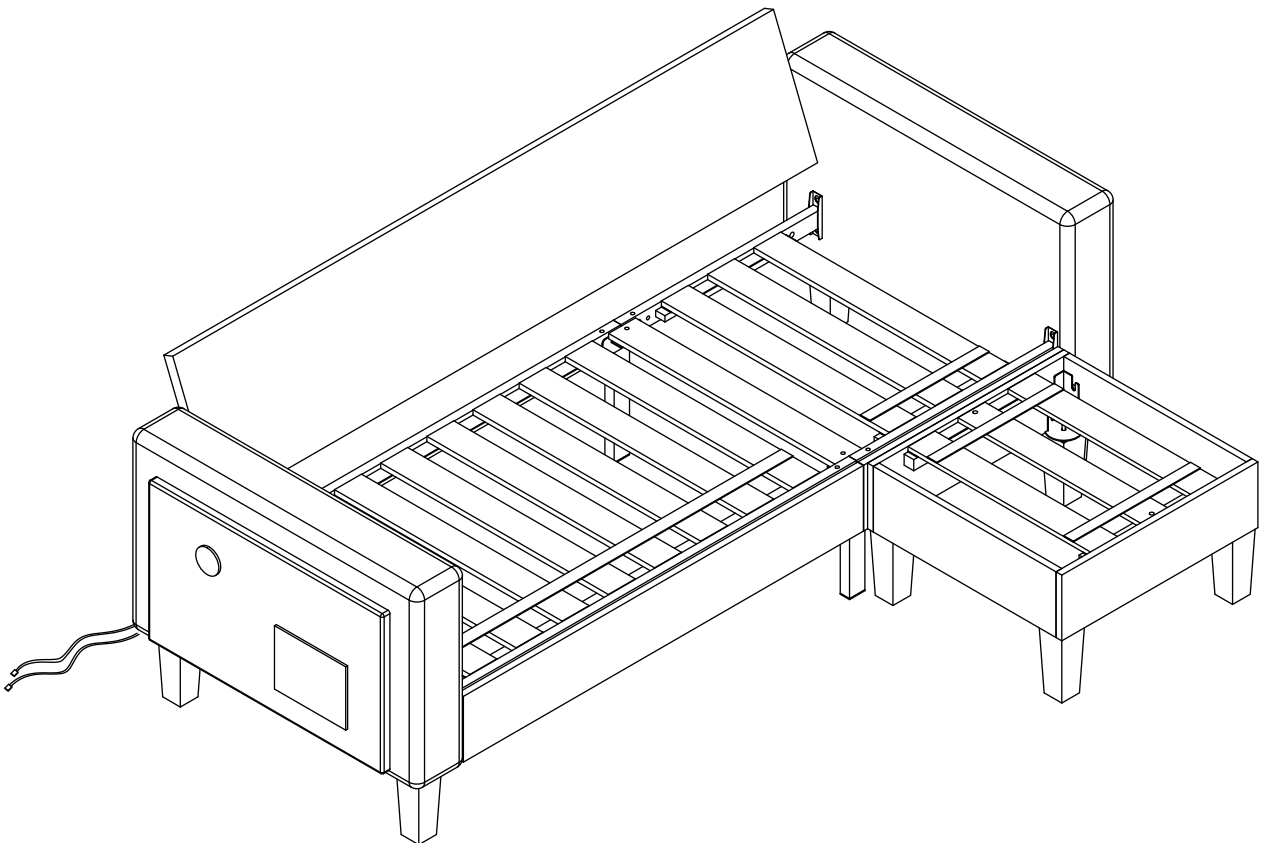


13

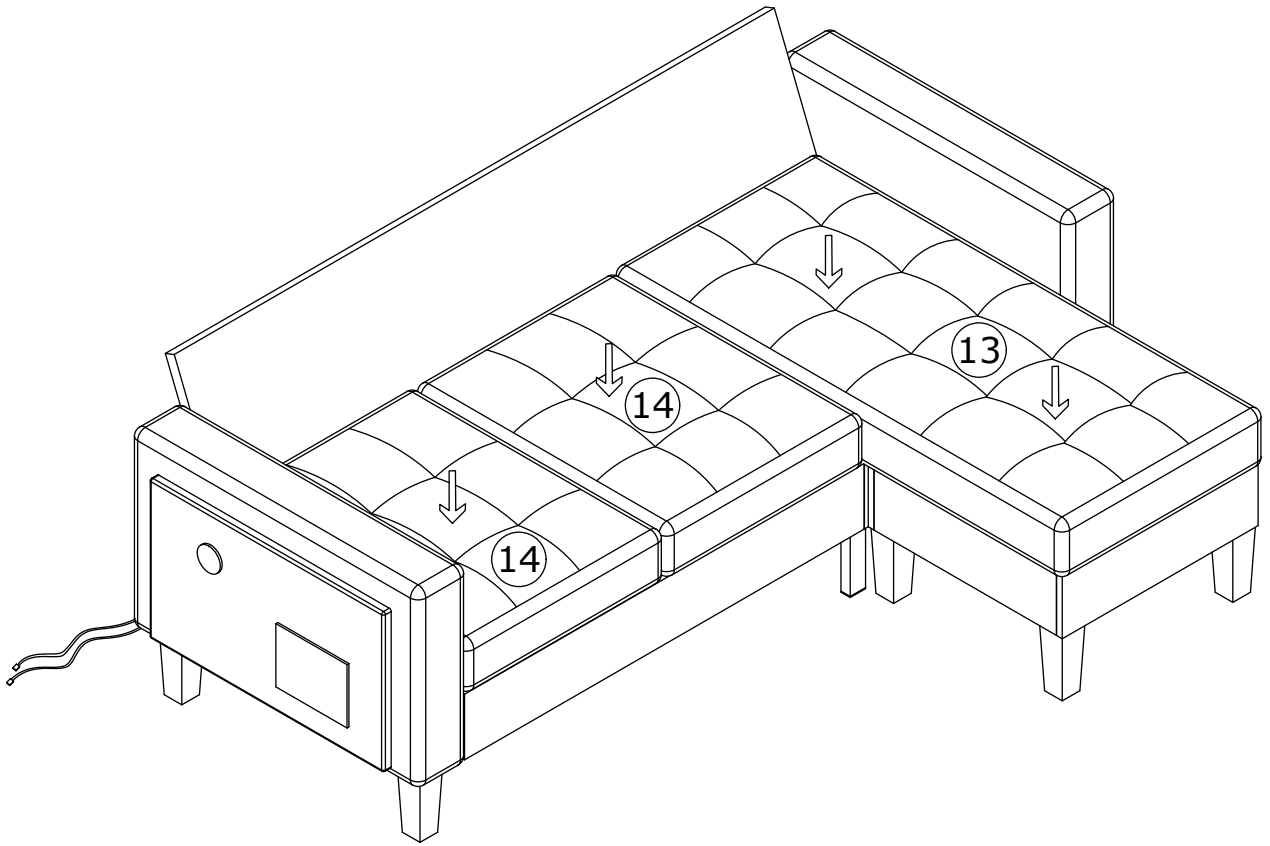
M4*30 **J** x2



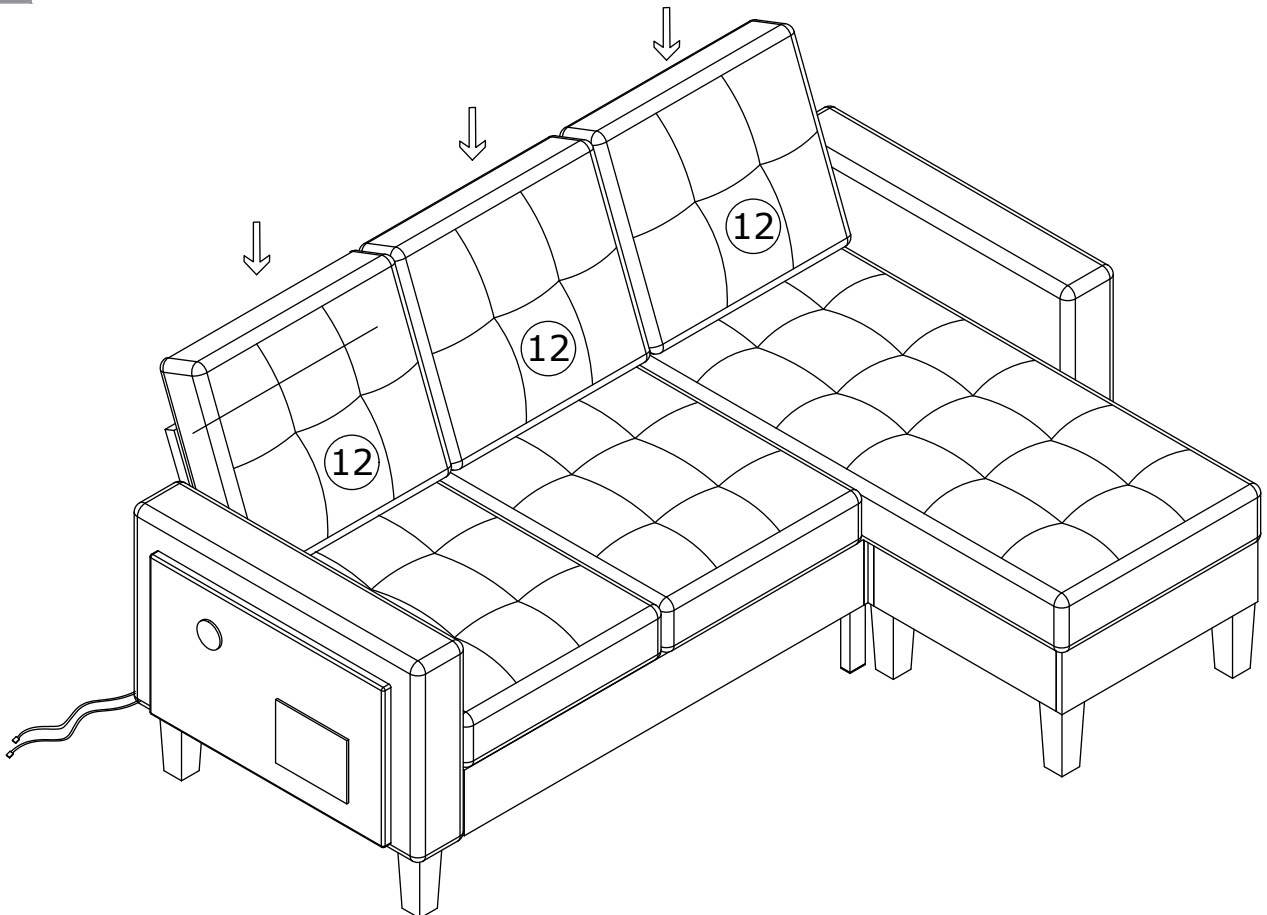
14



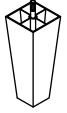
15



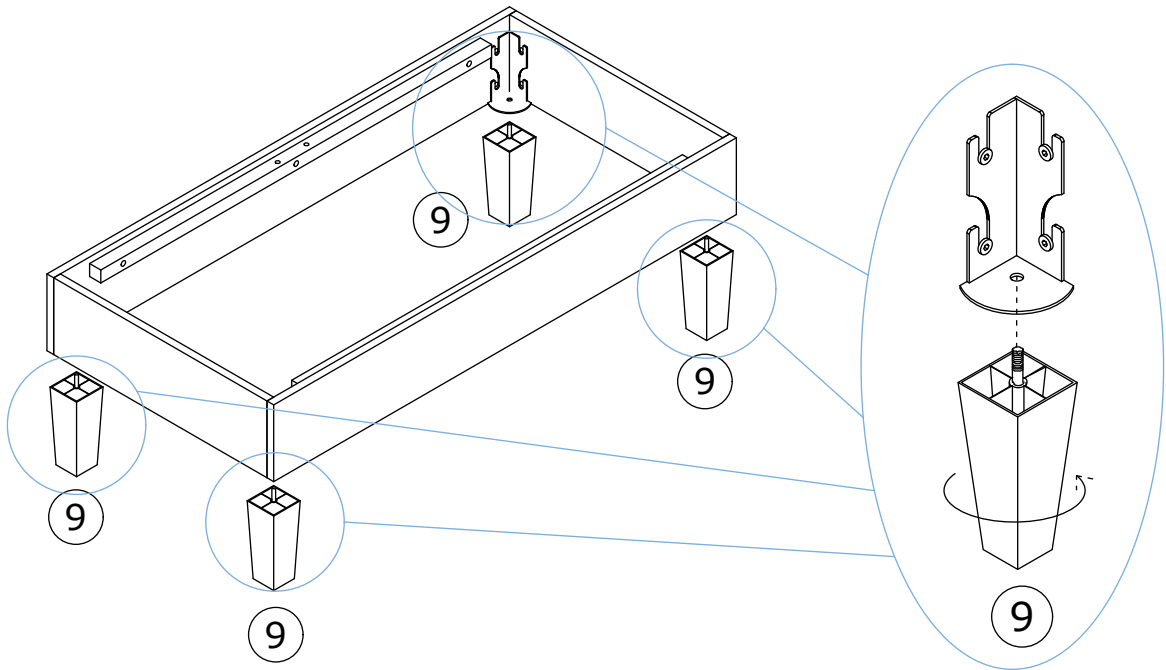
16



19

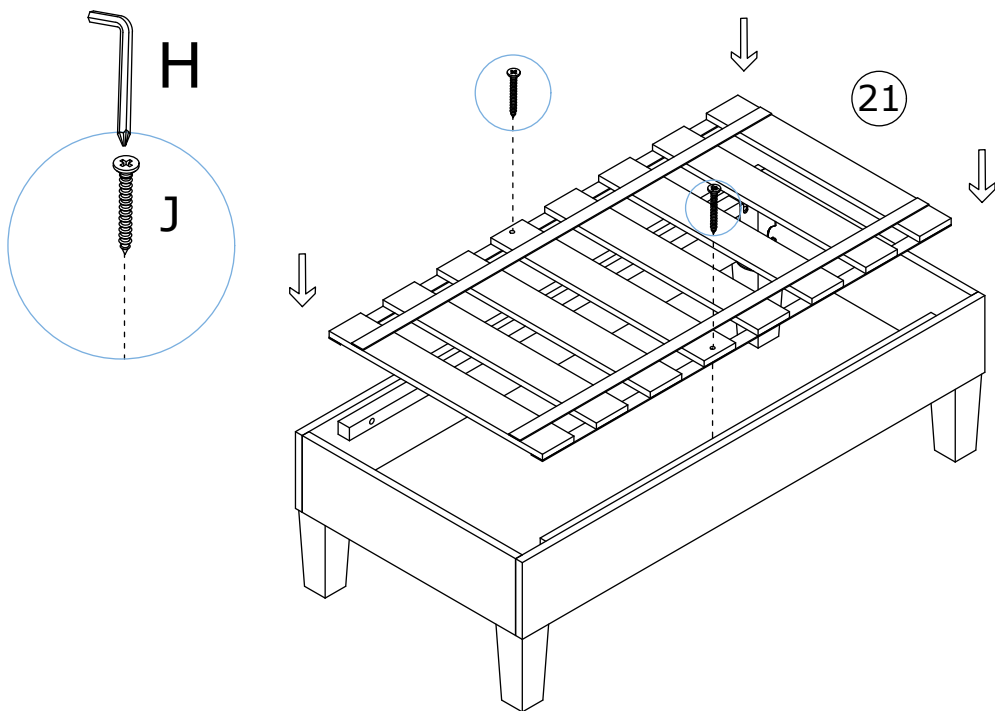


9 x4

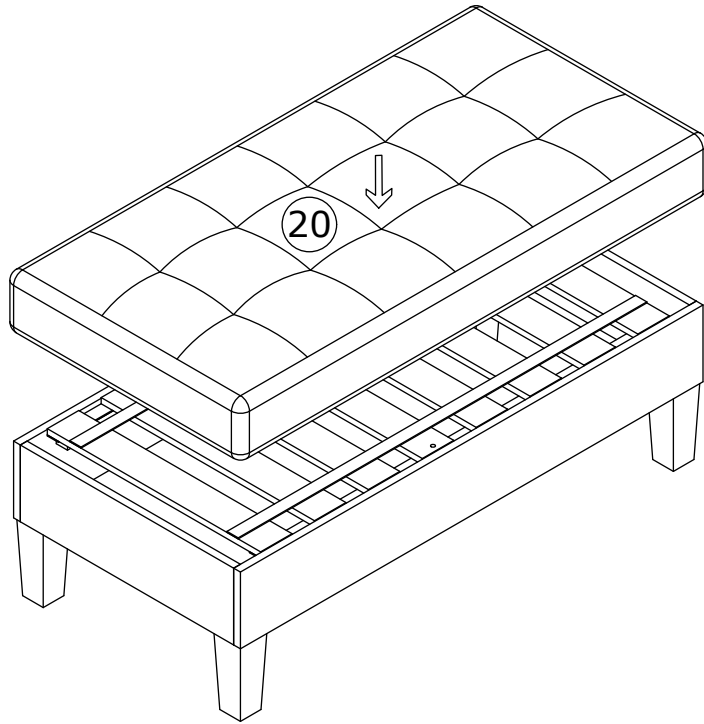


20



M4*30 **J** x2

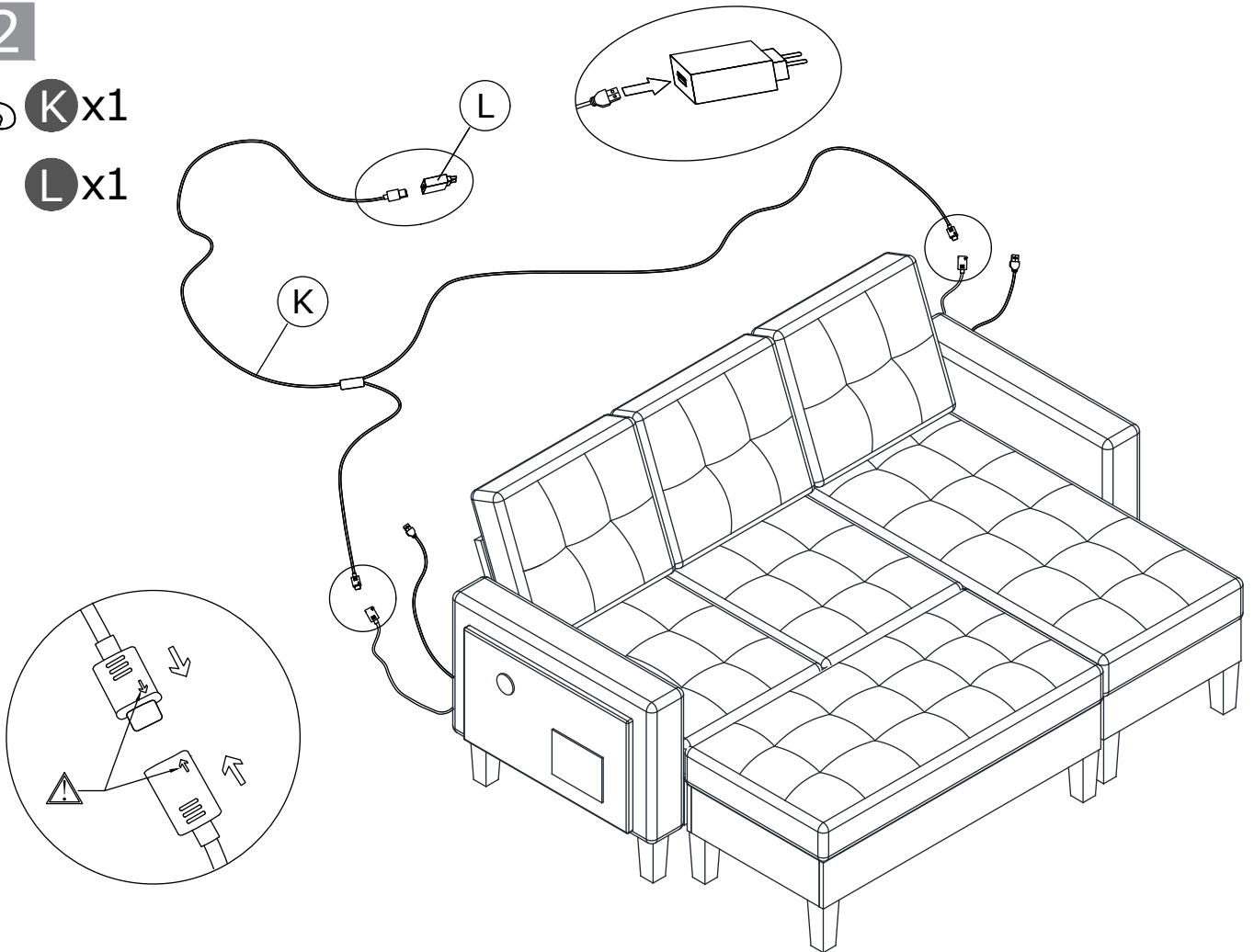


21



22

-  **K** x1
-  **L** x1



APP mode

APP name is "duoCo Strip"

Please search for and install the app in the QR code on the back of the controller .

APP name is "duoCo Strip"

Please search for and install the app in the QR code on the back of the controller .



DECLARATION OF CONFORMITY

Issued to: SHENZHEN LEDMY CO., LTD.
Address: Room 1503-1505, Block 2 Excellence City Zhongkang Road, Futian District
Shenzhen, Guangdong Province, China

Product: LED Strip
Trade mark: N/A
Type/Model: Series name: Fabxxcd-Py-GzYYefghhpVi###\$jkkLn%mmzztunn (See LVD report for details)
Ratings: DC 24V; 4.2A Max.; 100W Max.; ta:40℃; Class III. (For more details see report)

Manufactured by: Jiangmen Ledmy Co., LTD.
Address: Building 1, 3, 4, 5, No. 3, Huahui Road, Waihai Street, Jianghai District, Jiangmen
City, Guangdong Province

Requirements: EN 60598-2-21:2015
EN IEC 60598-1:2021 + A11:2022
EN 62471:2008
EN 62493:2015+A1:2022

This declaration is granted on account of an examination by DE, the results of which are laid down in a Report No. DER0776230239045


This declaration implies that the examined types are in accordance with the standards designated under Annex I of the Low Voltage Directive (LVD) 2014/35/EU.

The examination has been carried out on representative specimen of the product, submitted by the manufacturer. The declaration does not include an assessment of the manufacturer's production. Conformity of his production with the specimen tested by DE is not the responsibility of DE.

Shenzhen, May. 22, 2024

Number: DEC0776230239045

Shenzhen DE Certification Lab co., Ltd.


Tony Lin
Certification Manager



Note: This declaration of conformity is part of the full report and should be read in conjunction with it.



CERTIFICATE OF CONFORMITY

Electromagnetic Compatibility (EMC) Directive 2014/30/EU

This Certificate of Conformity is hereby issued to the product designated below:

Certificate No...... : 23EP06164E01
Report No...... : EP2306164E01
Date Issue...... : 2023-10-23
Applicant's name : SHENZHEN SUNSHINE TECHNOLOGICAL CO., LTD
Address : Room 101, Unit 3, No. 15, Dinghou Road, Dongfang Community,
Songgang Street, Baoan District, Shenzhen, China.
Manufacturer's name : Same as applicant
Address : Same as applicant
Product Description..... : AC/DC ADAPTER, Switching Power Supply
Model(s)/Type References : XSC-aaabbbbxyyz (aaa, bbbb, x, yy and z are variables, details see table
A for appendix)
Parameters..... : Input: 100-240Vac, 50/60Hz, 0.4A Max
Output: Details see table B for appendix
Standard(s) : EN 55032:2015+A11:2020+A1:2020
EN 55035:2017+A11:2020
EN IEC 61000-3-2:2019+A1:2021
EN 61000-3-3:2013+A1:2019+A2:2021

On the basis of the referenced test report(s), sample(s) tested of the above product have been found to comply with the standards harmonized with the directives listed on this verification at the time the tests were carried out. Other standards and Directives may be relevant to the product. This verification is part of the full test report(s) and should be read in conjunction with it(them).

Once compliance with all product relevant CE mark directives are verified, including any relevant e.g. risk assessment and production control, the manufacturer may indicate compliance by signing a Declaration of Conformity themselves and applying the mark to products identical to the tested sample(s).

Approved By


Eric Liu
Director of engineering department

Dongguan Pubiao Testing Technology Co., Ltd

No. 3, 1/F., Building A, No.30, Minghua Road, Juzhou, Shijie, Dongguan, Guangdong, China

Tel: +86 769 81813516 E-mail: service@pubiaotest.com Web: www.pubiaotest.com



CERTIFICATE OF CONFORMITY

Electromagnetic Compatibility (EMC) Directive 2014/30/EU

Appendix of Certificate No.: 23EP06164E01

Table A: Definition of variables

Variable	Range of variable	Content
aaa	030-240	3 digits code indicate output voltage range from 3.0-24.0VDC, the rising step is 0.1V, e.g.: 030=3.0VDC, 240=24.0VDC.
bbbb	0010-2100	4 digits code indicate output current range from 0.01A-2.1A, the rising step is 0.01A, e.g.: 0010=0.01A, 2100=2.1A.
x	N, A, B, L, D	N denotes direct plug-in horizontal enclosure A denotes direct inserted large shell B denotes direct inserted small shell L denotes Lateral insertion plug-in enclosure D denotes with detachable enclosure
yy	EU, UK, EX	EU means Europe plug; UK means Britain plug; EX means Detachable plug for different countries
z	U, C or Blank	U represent output interface type is USB; C represent output interface type is TYPE-C; Blank represent output interface type is DC wire for N & L & D enclosure.

Table B: Model list and output rating

Model	Output voltage (Vdc)	Output current (A)	Max Power (W)	Transformer
XSC-aaabbbxxyz	3.0-5.0	0.001-2.100	10.5	T01
	5.1-12.0	0.001-2.000	12	
	12.1-24.0	0.001-1.000	12	



Dongguan Pubiao Testing Technology Co., Ltd

No. 3, 1/F., Building A, No.30, Minghua Road, Juzhou, Shijie, Dongguan, Guangdong, China

Tel: +86 769 81813516 E-mail: service@pubiaotest.com Web: www.pubiaotest.com