
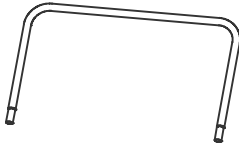



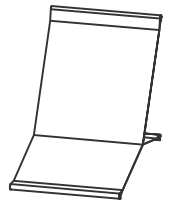
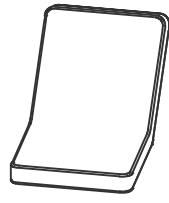







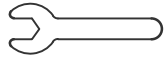

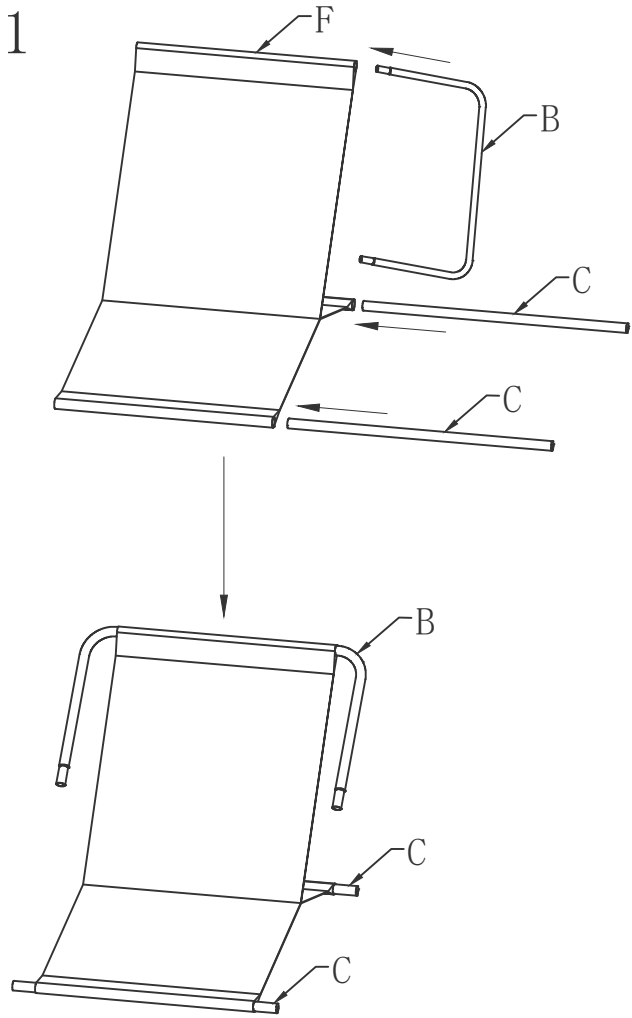
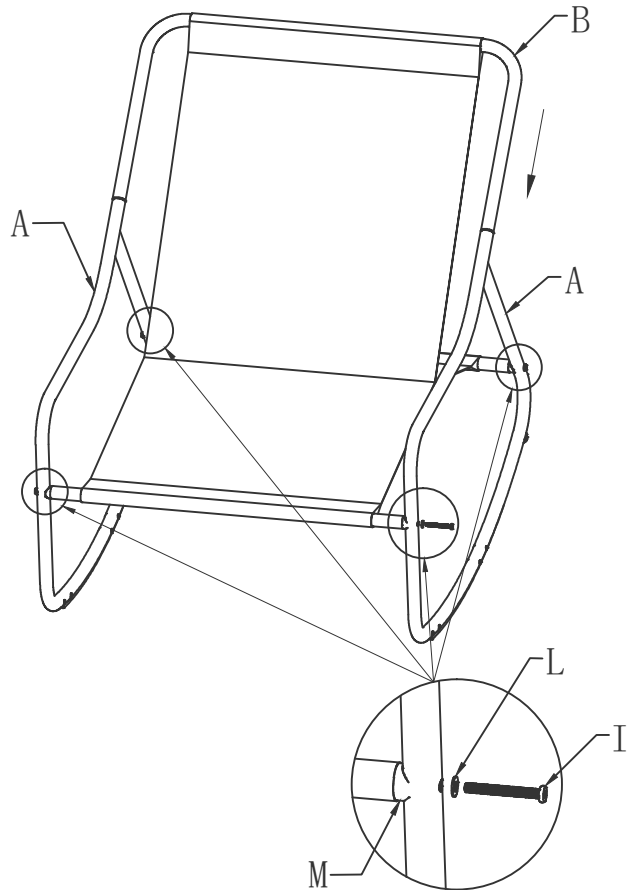


A		2
B		1
C		2
D		1
E		1
F		1
G		1
H	 M6*40	4
I	 M6*50	4
J	 M6*65	4
K		8
L		20
M		4
N		8
O		1
P		1

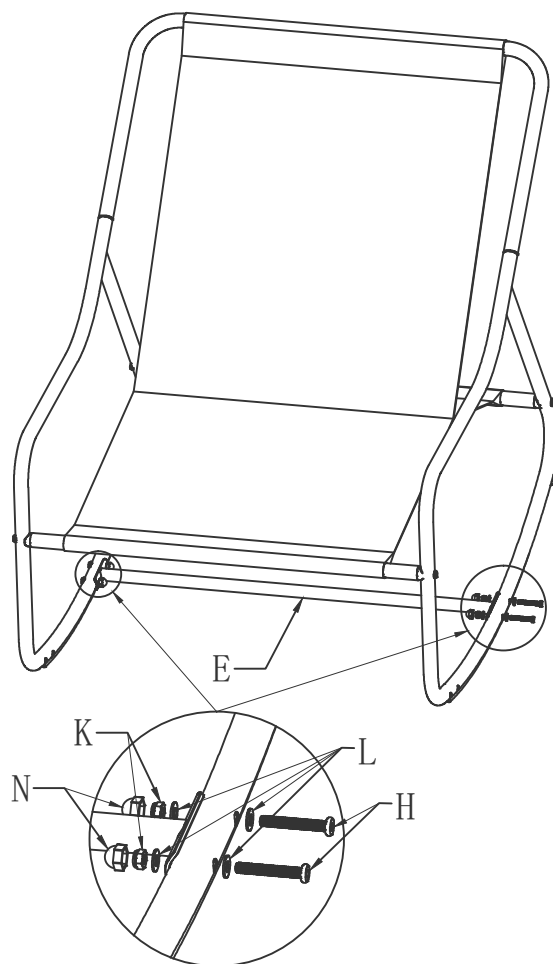
Step 1



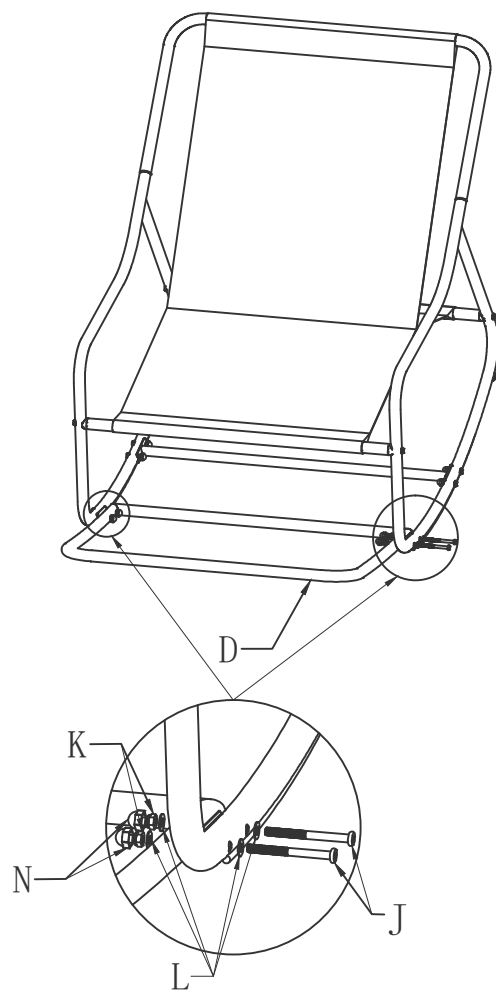
Step 2



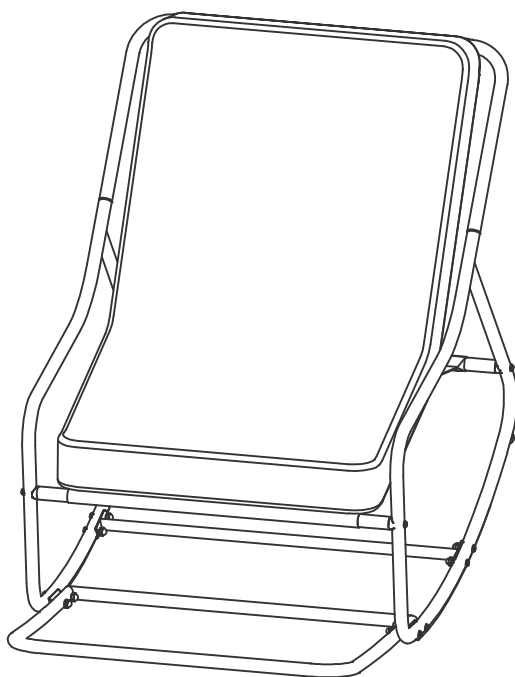
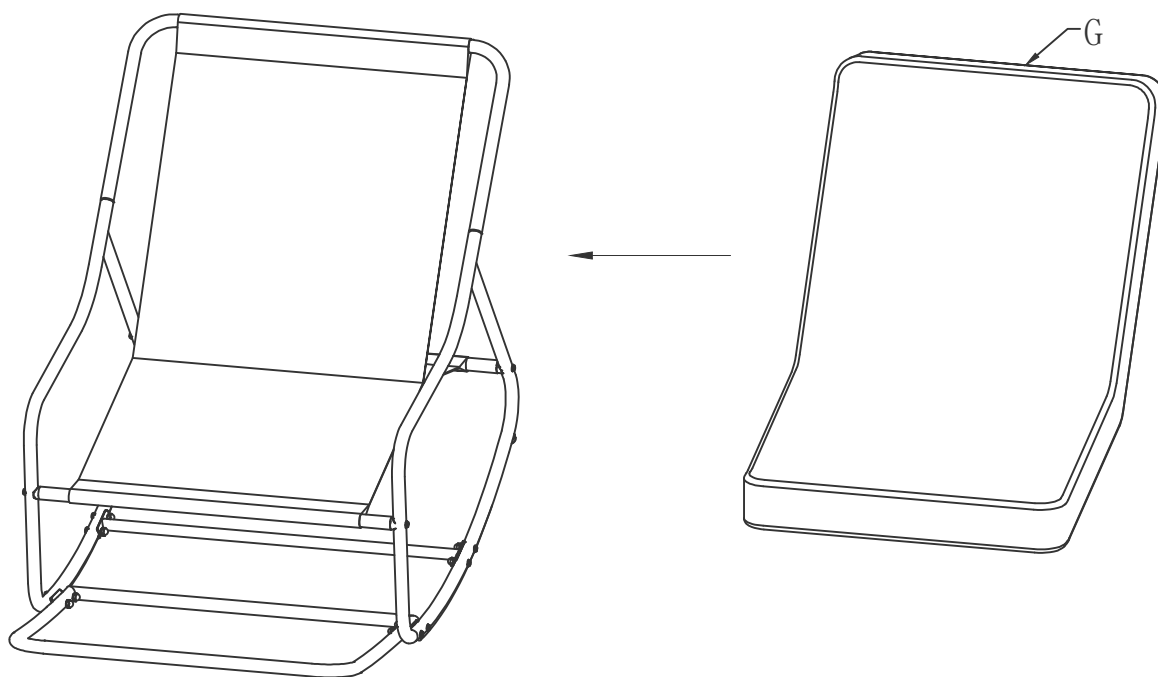
Step 3


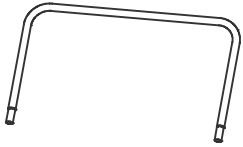



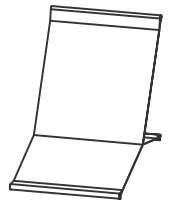
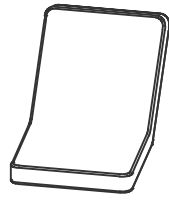







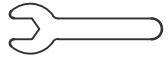



Step 4

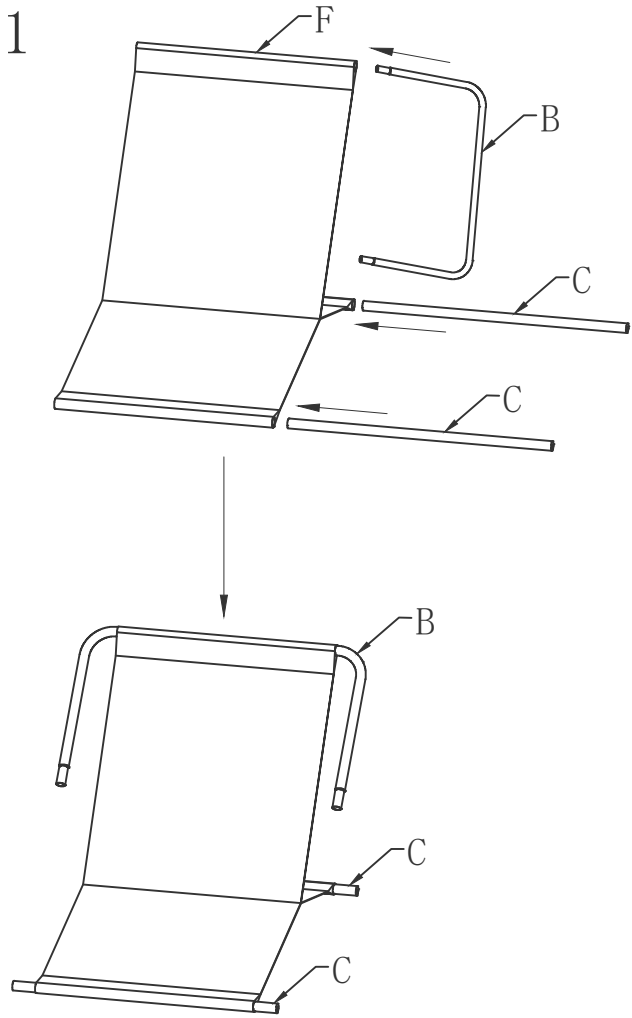


Step 5

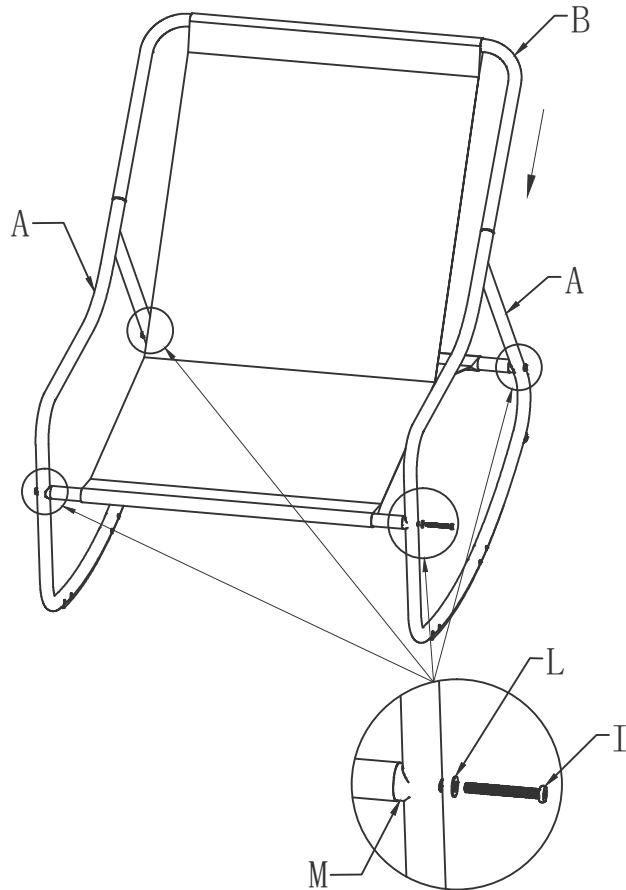


A		2
B		1
C		2
D		1
E		1
F		1
G		1
H	 M6*40	4
I	 M6*50	4
J	 M6*65	4
K		8
L		20
M		4
N		8
O		1
P		1

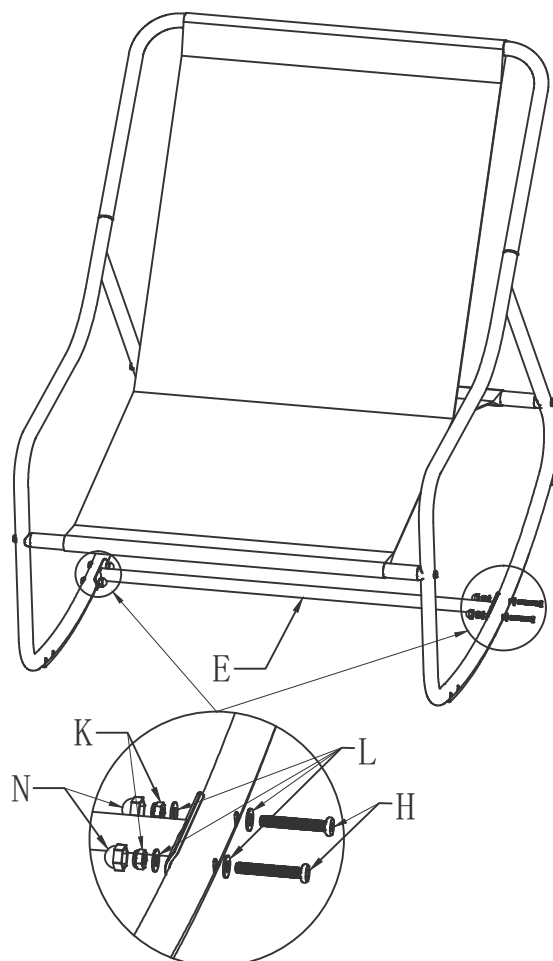
Step 1



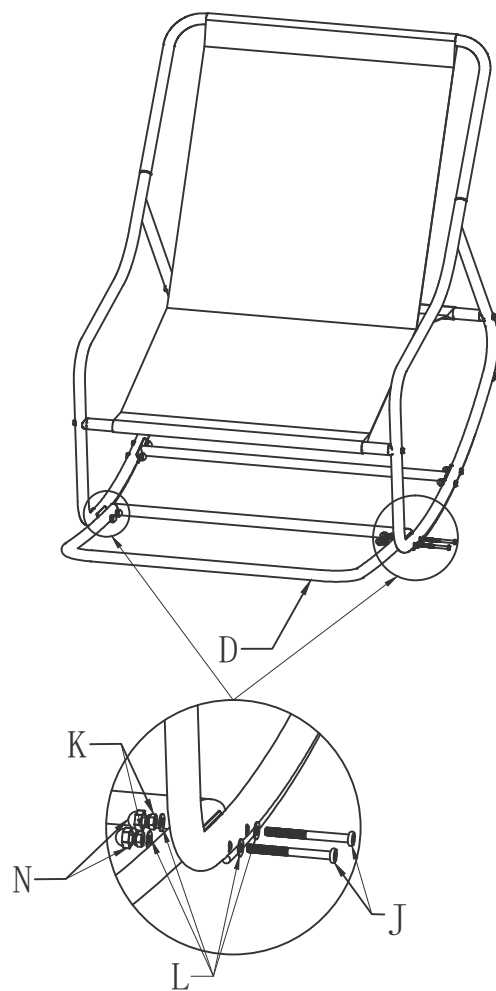
Step 2



Step 3



Step 4



Step 5

