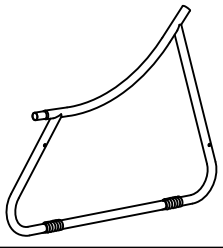
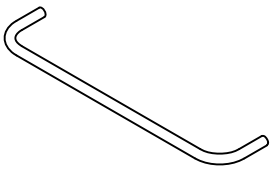
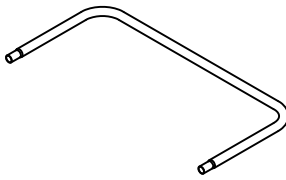
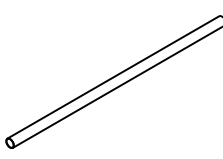
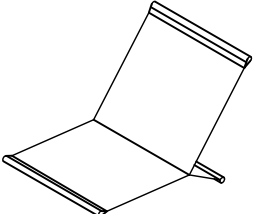
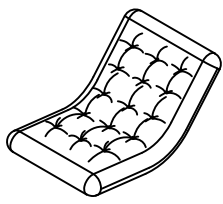




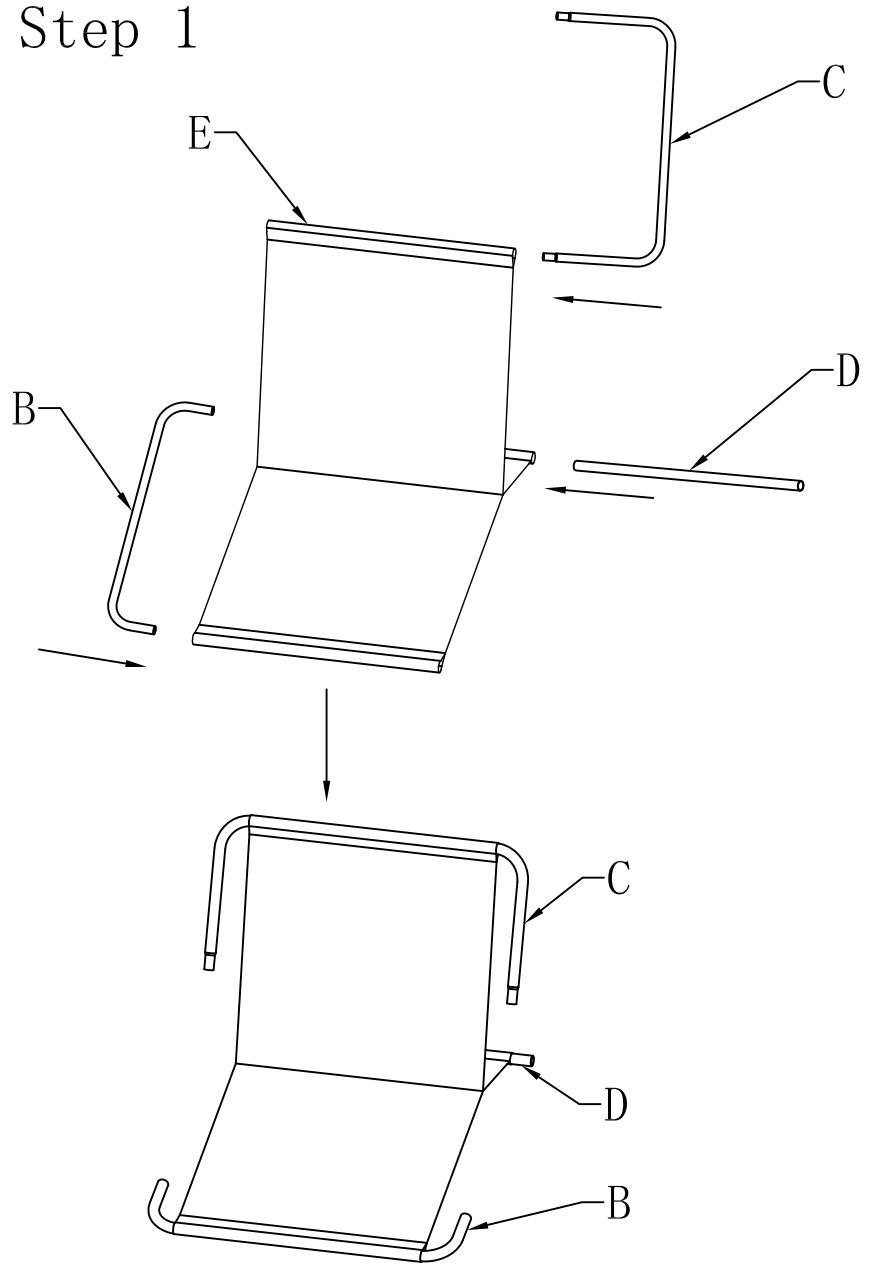


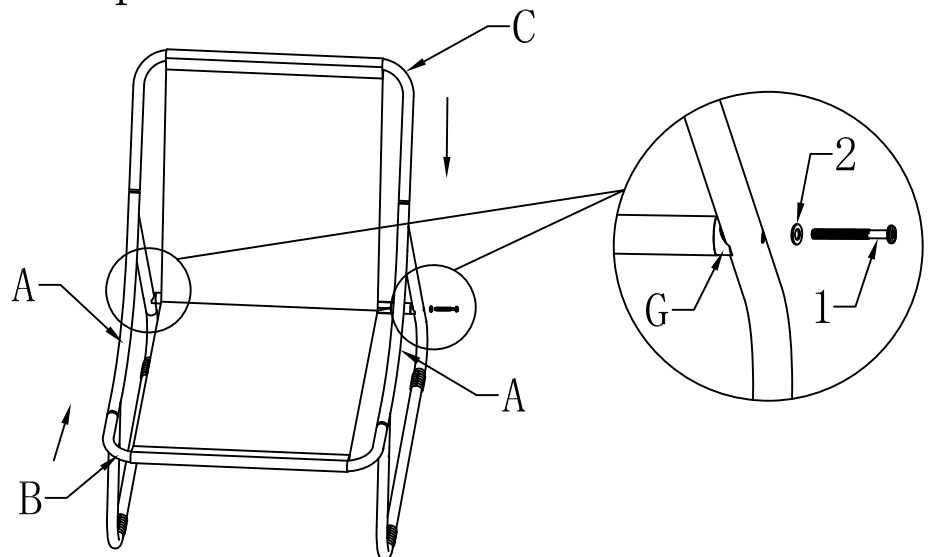


| | | |
|---|---|---|
| A |  | 2 |
| B |  | 1 |
| C |  | 1 |
| D |  | 2 |
| E |  | 1 |
| F |  | 1 |
| G |  | 4 |
| 1 |  M6*50 | 4 |
| 2 |  | 4 |
| 3 |  | 1 |

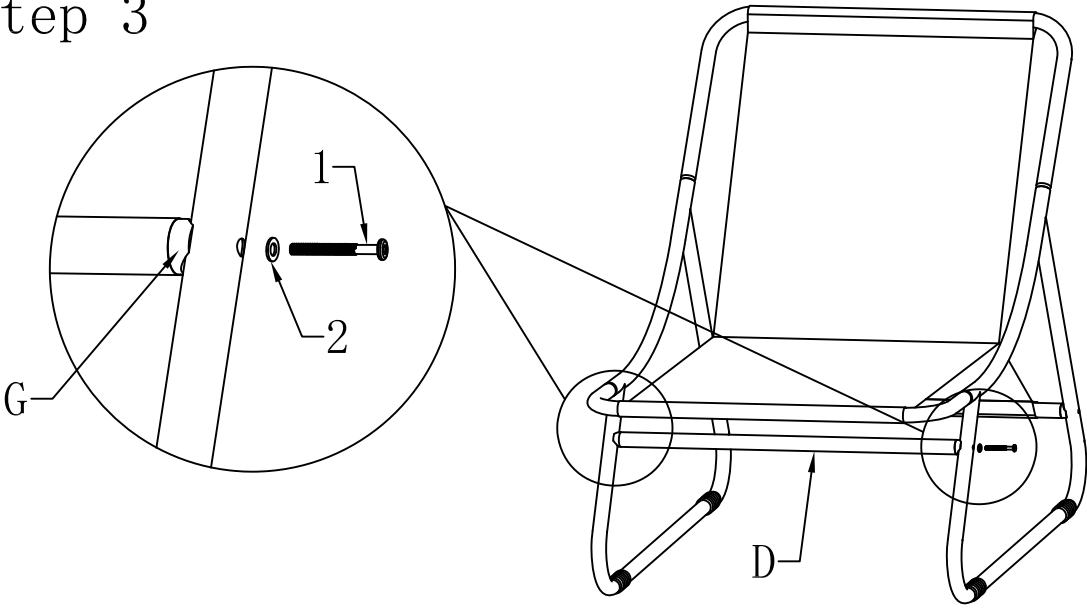
Step 1



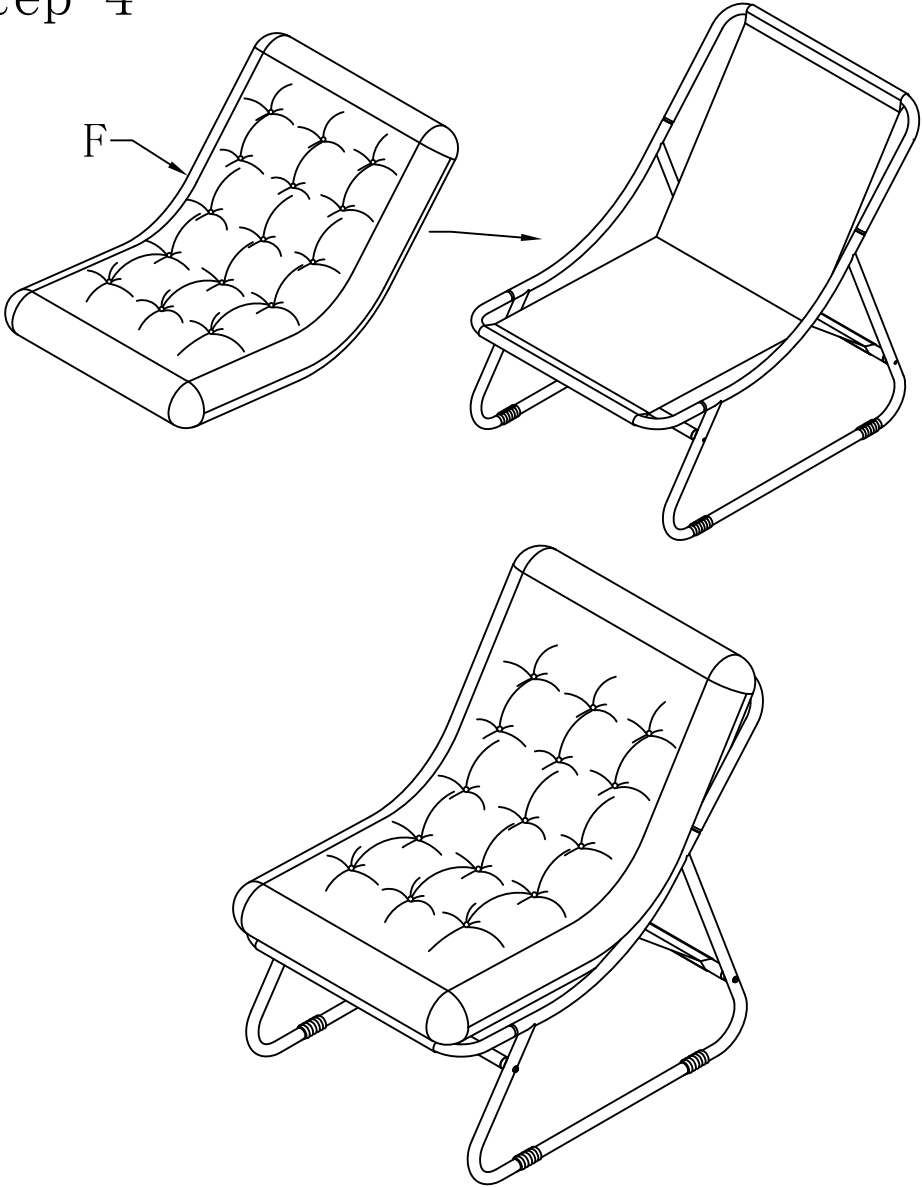
Step 2

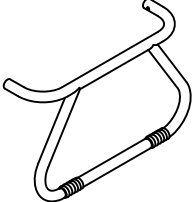
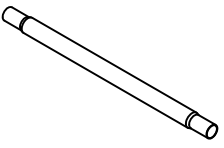
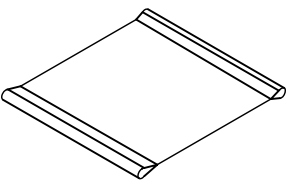
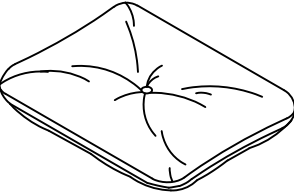


Step 3

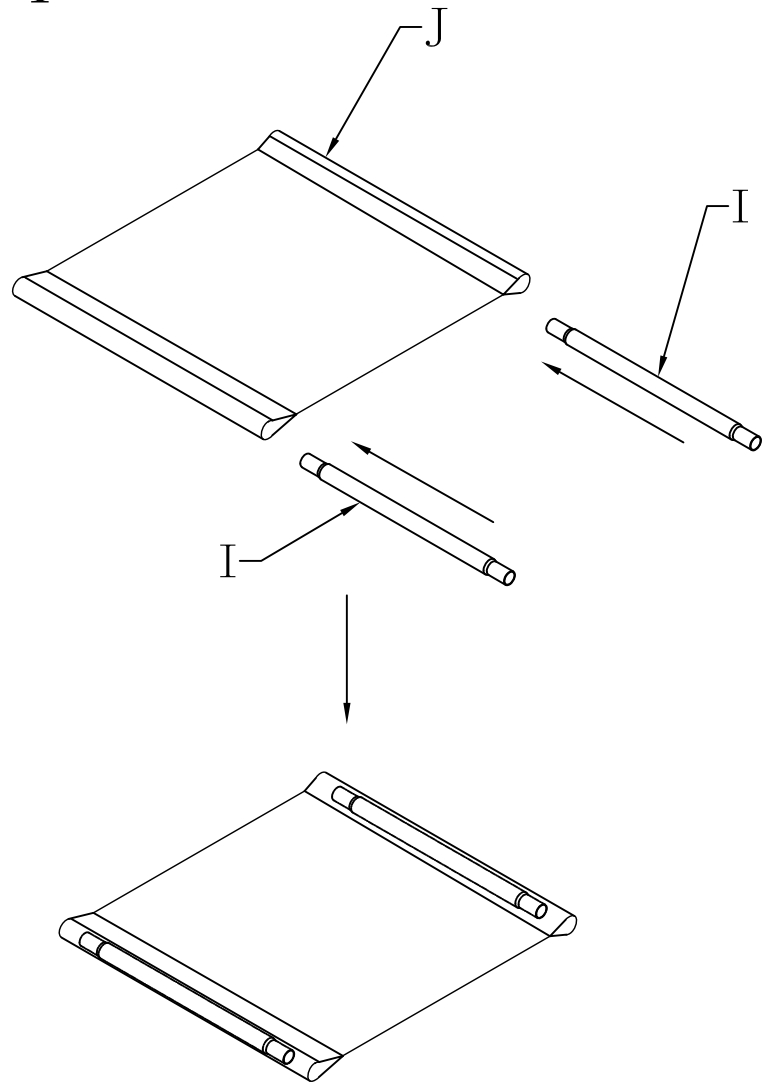


Step 4

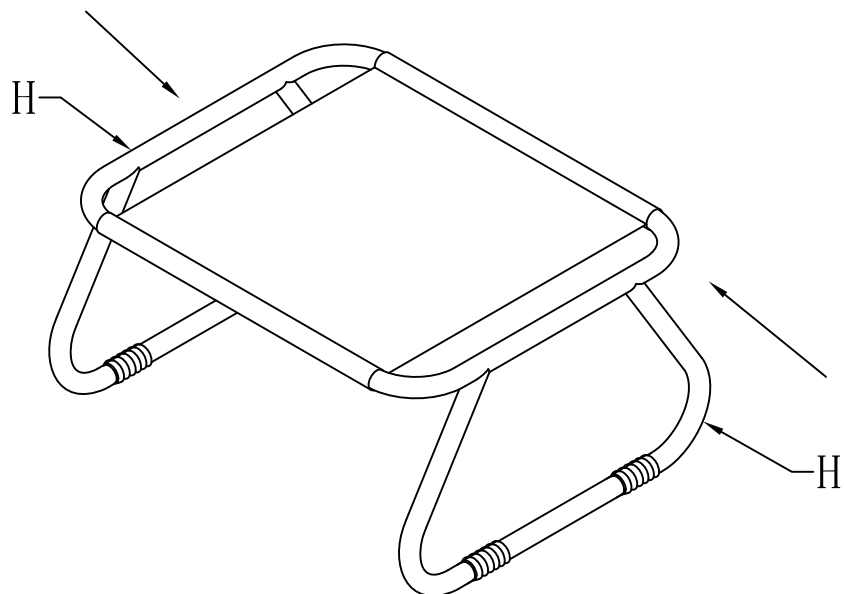


| | | |
|---|---|---|
| H |  | 2 |
| I |  | 2 |
| J |  | 1 |
| K |  | 1 |

Step 1



Step 2



Step 3

