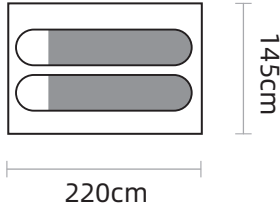


# INSTRUCTIONS

## INFLATABLE ROOFTOP TENT

### SIZE



### ACCESSORY



Tent \*1



Inflatable cushion\*1



2.5m Wind rope \*2



15m Wind rope \*1



Storage bag \*1



Steel Nail \*10



Glass fiber rod \*2



Rope+Pothook \*4



Pressure limiting pump\*1

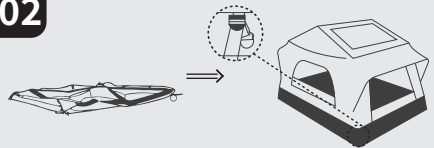
### INSTALLATION STEPS

01



Unroll the inflatable mat and lay it flat on the floor. Find the inflation port and connect it to the air pump or electric pump for inflation.

02



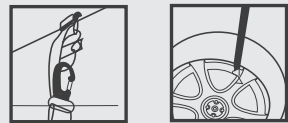
Unfold the tent, find the vent hole and inflate it. Once inflation is complete, place the tent on the inflatable cushion. Secure the tent and inflatable cushion together with straps.

03



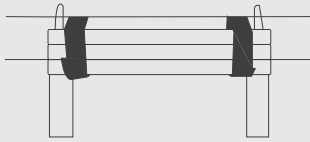
Suggest two or more people lift the tent above the vehicle equipped with a roof rack.

04



4 hook ropes are provided to secure the inflatable cushion and tire. If needed, use the other 2 hook ropes to be more stable.

05



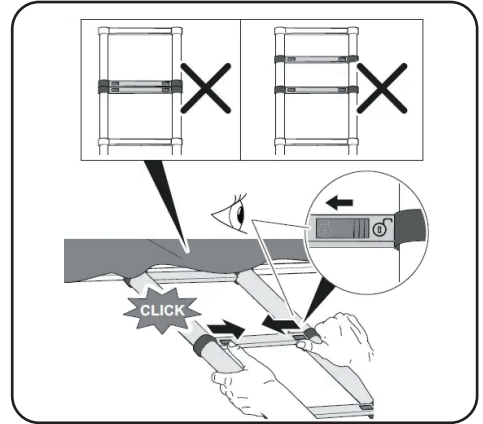
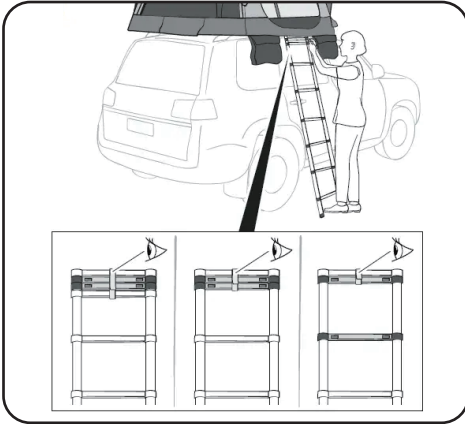
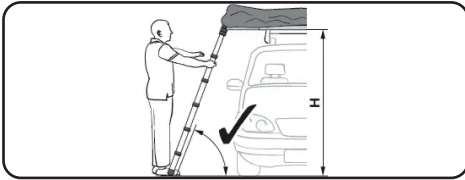
Place the telescoping ladder against the side of the tent and use velcro to secure the tent and ladder.

06



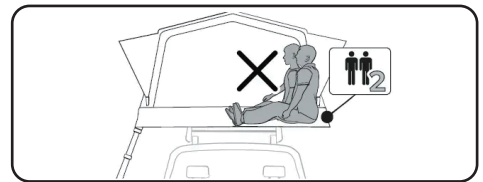
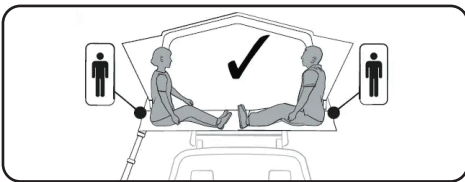
Complete the tent installation on the roof of the car and check that the tether is all fastened. This product can also be used on land alone with the canopy.

## PRECAUTIONS FOR USING LADDERS



After installing a telescoping ladder, use velcro to secure the remaining part of the ladder to prevent it from unfolding suddenly.

When opening the ladder, fully extend each section until you hear a click, indicating the ladder is fully extended.



**\*When retracting the ladder, do not place your hands underneath the descending ladder to avoid injury.**