

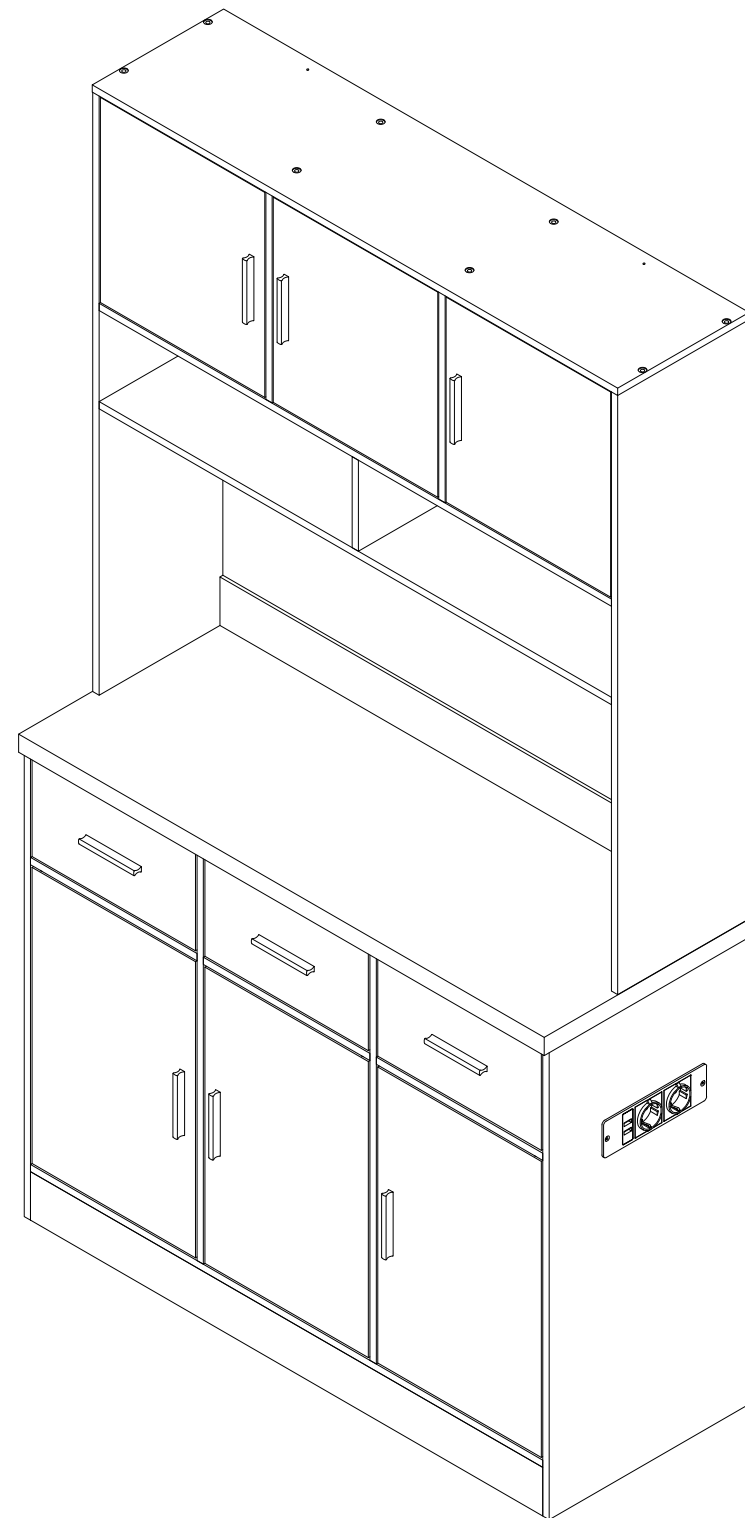
**SKU N635P215147+N635P215148**

Microwave cabinet wird mit 2 Kartons geliefert. Wir empfehlen, das Set nach Erhalt aller Kartons zusammenzustellen.

Importeur	Decobus Handel GmbH
Adresse	Innungsstraße 9, 21244 Buchholz, Deutschland
URL	<a href="https://www.decobusgroup.de">https://www.decobusgroup.de</a>
Hersteller	ZHANGZHOU XINZUOBIAO INDUSTRY & TRADE CO., LTD.
Adresse	Beidou Industrial Zone, Zhangzhou City, Fujian Province, China
Email/URL	2092167066@qq.com
<b>EC REP</b>	Decobus Handel GmbH Innungsstraße 9, 21244 Buchholz, Deutschland <a href="https://www.decobusgroup.de">https://www.decobusgroup.de</a>

Importeur	Decobus Handel GmbH
Adresse	Innungsstraße 9, 21244 Buchholz, Deutschland
URL	<a href="https://www.decobusgroup.de">https://www.decobusgroup.de</a>
Hersteller	JENSON ENTERPRISE CO., LTD
Adresse	Old Guanchang Road, Ailingkan Village, Dalingshan Town DONGGUAN Guangdong
Email/URL	22495239@qq.com
Partienummer	20250625113
Hergestellt in	CHINA
<b>EC REP</b>	Decobus Handel GmbH Innungsstraße 9, 21244 Buchholz, Deutschland <a href="https://www.decobusgroup.de">https://www.decobusgroup.de</a>

Importeur	Decobus Handel GmbH
Adresse	Innungsstraße 9, 21244 Buchholz, Deutschland
URL	<a href="https://www.decobusgroup.de">https://www.decobusgroup.de</a>
Hersteller	Shenzhen Pinchengxin Technology Co., Ltd
Adresse	3rd floor, 8 building Yuanling industrial zone, No. 39 Yuanlingcun road, Shiyan street
Email/URL	fosm11@foxmail.com
Partienummer	20250620009
Hergestellt in	CHINA
<b>EC REP</b>	Decobus Handel GmbH Innungsstraße 9, 21244 Buchholz, Deutschland <a href="https://www.decobusgroup.de">https://www.decobusgroup.de</a>



**FR**

**Cet appareil, ses cordons, et batterie se recyclent**

**À DÉPOSER EN MAGASIN**

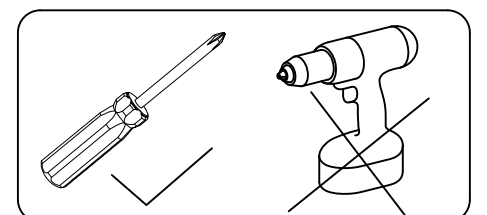
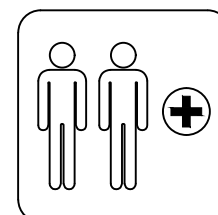


OU

**À DÉPOSER EN DÉCHÈTERIE**



**Points de collecte sur [www.quefairedemesdechets.fr](http://www.quefairedemesdechets.fr)  
Privilégiez la réparation ou le don de votre appareil !**



**EN\_IMPORTANT, RETAIN FOR FUTURE REFERENCE; READ CAREFULLY.**

**FR\_IMPORTANT: A LIRE ATTENTIVEMENT ET A CONSERVER POUR CONSULTATION ULTERIEURE.**

**ES\_IMPORTANTE, LEA Y GUARDE PARA FUTURAS REFERENCIAS.**

**DE\_„WICHTIG! SORGEALTIG LESEN UND FÜR SPÄTER NACHSCHLAGEN AUFBEWAHREN.“**

**IT\_IMPORTANTE! CONSERVARE IL PRESENTE MANUALE PER FUTURO RIFERIMENTO E LEGGERLO ATTENTAMENTE.**

**EN**

Dear customer,  
Thank you for purchasing this product. So that your appliance serves you well, please read all the instructions in this user's manual. If you have any questions, please contact our customer care center.

**FR**

Cher client,  
Nous vous remercions d'avoir acheté ce produit. Afin que vous puissiez profiter pleinement de votre appareil, veuillez lire toutes les instructions de ce manuel d'utilisation. Si vous avez la moindre question, veuillez contacter notre centre d'assistance à la clientèle.

**DE**

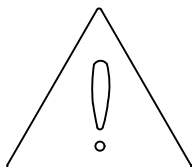
Sehr geehrter Kunde,  
Vielen Dank, dass Sie dieses Produkt erworben haben. Damit Ihr Gerät Ihnen gute Dienste leistet, lesen Sie bitte alle Hinweise in diesem Benutzerhandbuch. Wenn Sie Fragen haben, wenden Sie sich bitte an unser Kundendienstzentrum.

**ES**

Queridos clientes,  
Gracias por comprar este producto. Para que su electrodoméstico le sirva mejor, lea todas las instrucciones de este manual del usuario. Si tiene alguna pregunta, comuníquese con nuestro Centro de Atención al Cliente.

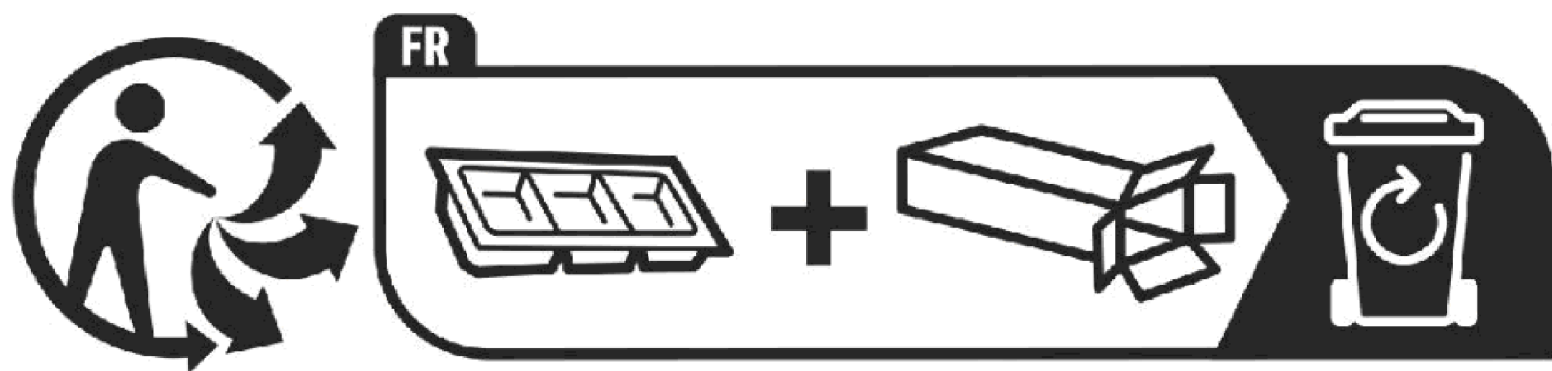
**IT**

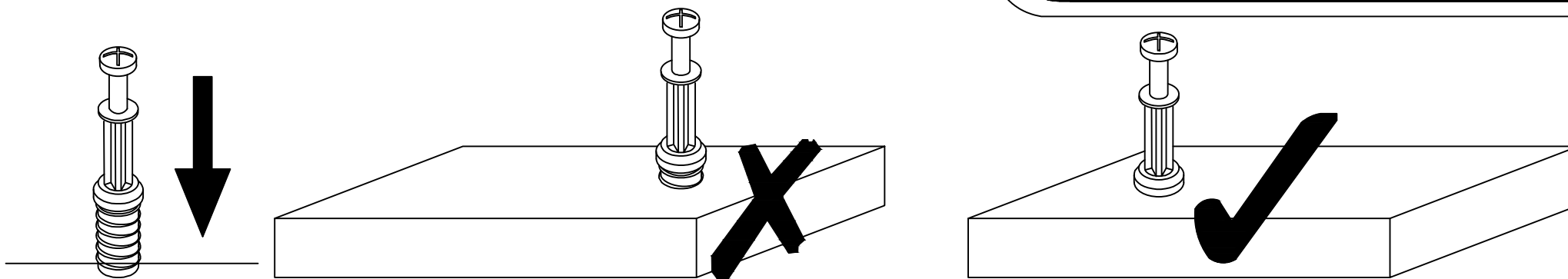
Caro Cliente,  
Grazie per aver acquistato questo prodotto. Per servirti meglio con questo apparecchio ti prego di leggere tutte le istruzioni in presente manuale utente. In caso di dubbio, si prega di contattare il nostro centro assistenza clienti.



Our product will be delivered to you in 2 packages. The delivery times of these 2 packages may differ, please be patient and thank you for your understanding.

Unser Produkt wird Ihnen in 2 Paketen geliefert. Die Lieferzeiten dieser 2 Pakete können abweichen, bitte haben Sie etwas Geduld und vielen Dank für Ihr Verständnis.





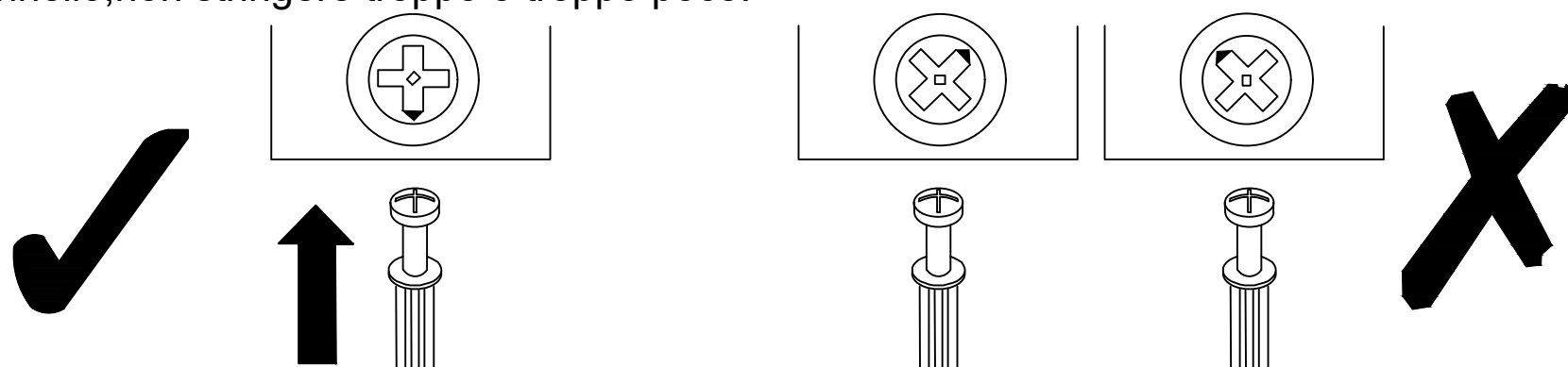
EN\_QUICKFIT:Tighten quickfit until shoulder is flush with panel.Do not overtighten or undertighten.

FR\_RACCORD RAPIDE:Faites serrer le raccord rapide jusqu'a ce que l'epaulement soit parfaitement encstre dans le panneau.Il ne faut ni trop serrer ni insuffisamment serrer.

ES\_QUICKFIT:Apriete quickfit hasta que el hombro se descargue con el panel.NO lo sobreapriete ni lo apriete poco.

DE\_QUICKFIT:Ziehen Sie den quickfit fest,bis die Schulter mit der Platte bundig ist. Bitte nicht zu fest oder zu schwach anziehen.

IT\_MONTAGGIO RAPIDO:Stringere il montaggio rapido fino aquando la spalla e a filo con il pannello,non stringere troppo o troppo poco.



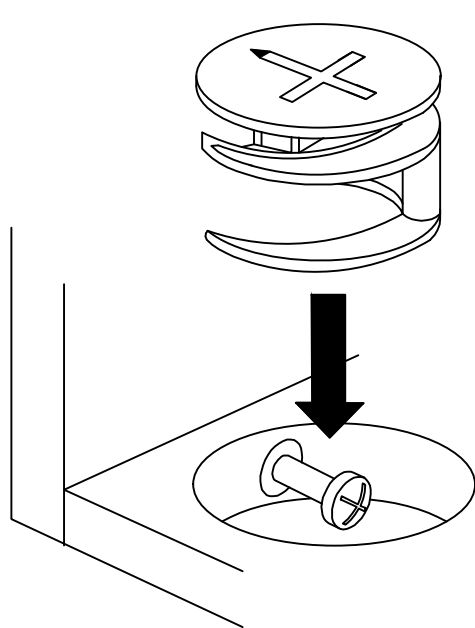
EN\_CAM LOCK:When fitting cam lock,ensure starting position is correct before you insert connecting quickfit.

FR\_SERRURE BATTEUSE:Avant d'insérer la serrure batteuse,veillez a la bonne orientation avant d'insérer le raccord rapide,

ES\_CIERRE DE LA CAMARA:Cuando instale el cierre de la camara,asegurese de que la posicion de inicio es correcta antes de que inserte el quickfit conector,

De\_CAM-LOCK:Achten Sie bei der Montage des Cam-locks auf die richtige Ausgangsposition,bevor Sie den Quickfit einsetzen.

IT\_BLOCCAGGIO A CAMMA:Quando si monta il bloccaggio a camma,assicurarsi che la posizione iniziale sia corretta prima di inserire il montaggio rapido di collegamento.



EN\_Quickfit head should be in the centre of the cam lock when the two panels are joined.

Cam lock should be inserted before quickfit.

FR\_Lorsque les deux panneaux sont assembles,la tete du raccord rapide doit reposer au centre de la serrure batteuse.

Il faut inserer la serrure batteuse avant le raccord rapide.

ES\_EL cabezal del quickfit debe estar en el centro del cierre de la camara cuando se unan los dos paneles.

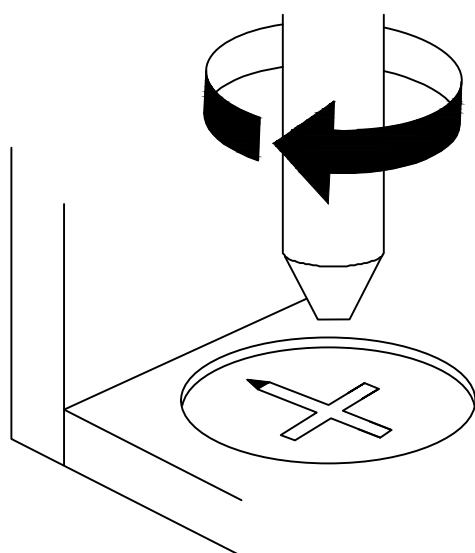
Se debe insertar el cierre de la camara antes que el quickfit.

DE\_Der Quickfit-Kopf sollte sich in der Mitte des Cam-locks befinden,wenn die beiden Platten zusammengefügt sind.

Der Cam-lock sollte vor dem Quickfit eingesetzt werden.

IT\_La testa del montaggio rapido deve trova rsi al centro del bloccaggio a camma quando i due pannelli sono uniti.

Il Bloccaggio a Camma deve essere inserito prima del montaggio rapido.



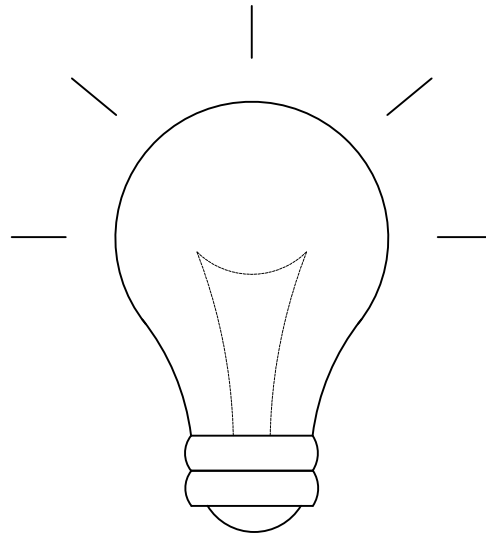
EN\_Turn cam lock clockwise to tighten.

FR\_Faites tourner la serrure batteuse dans le sens des aiguilles d'une montre pour la resserrer.

ES\_Gire el cierre de la camara en sentido horario para apretarlo.

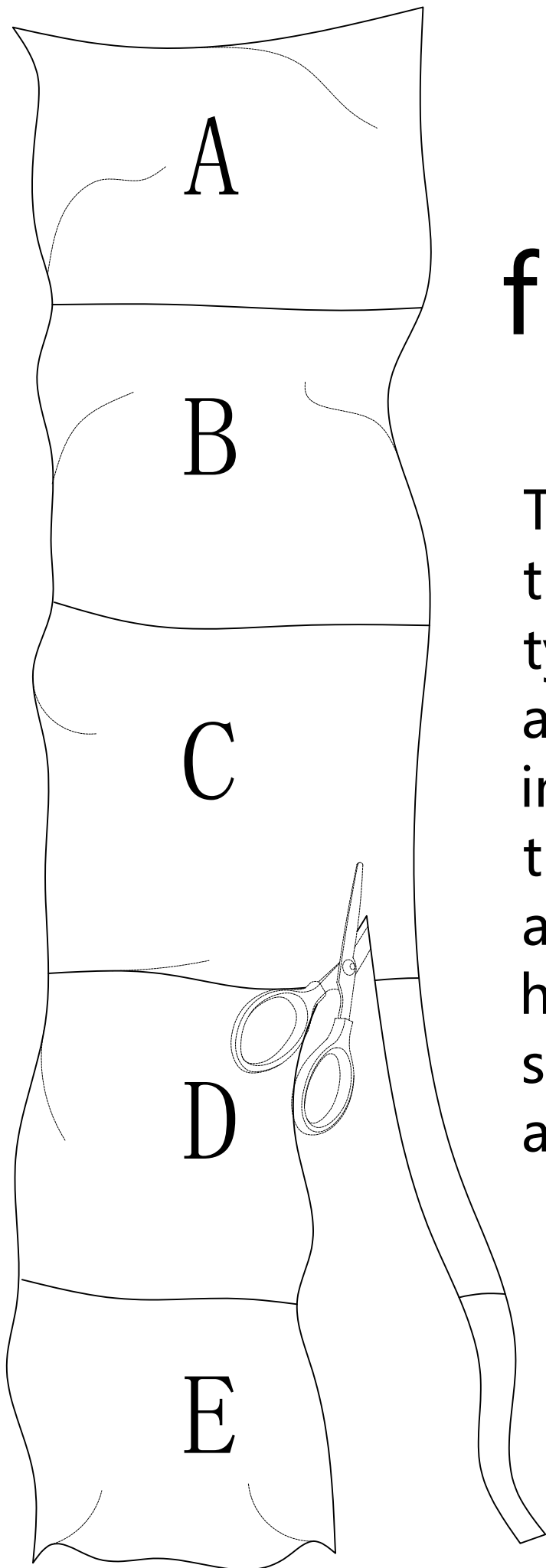
DE\_Drehen Sie den Cam-Lock im Uhrzeigersinn,um ihn festzuziehen.

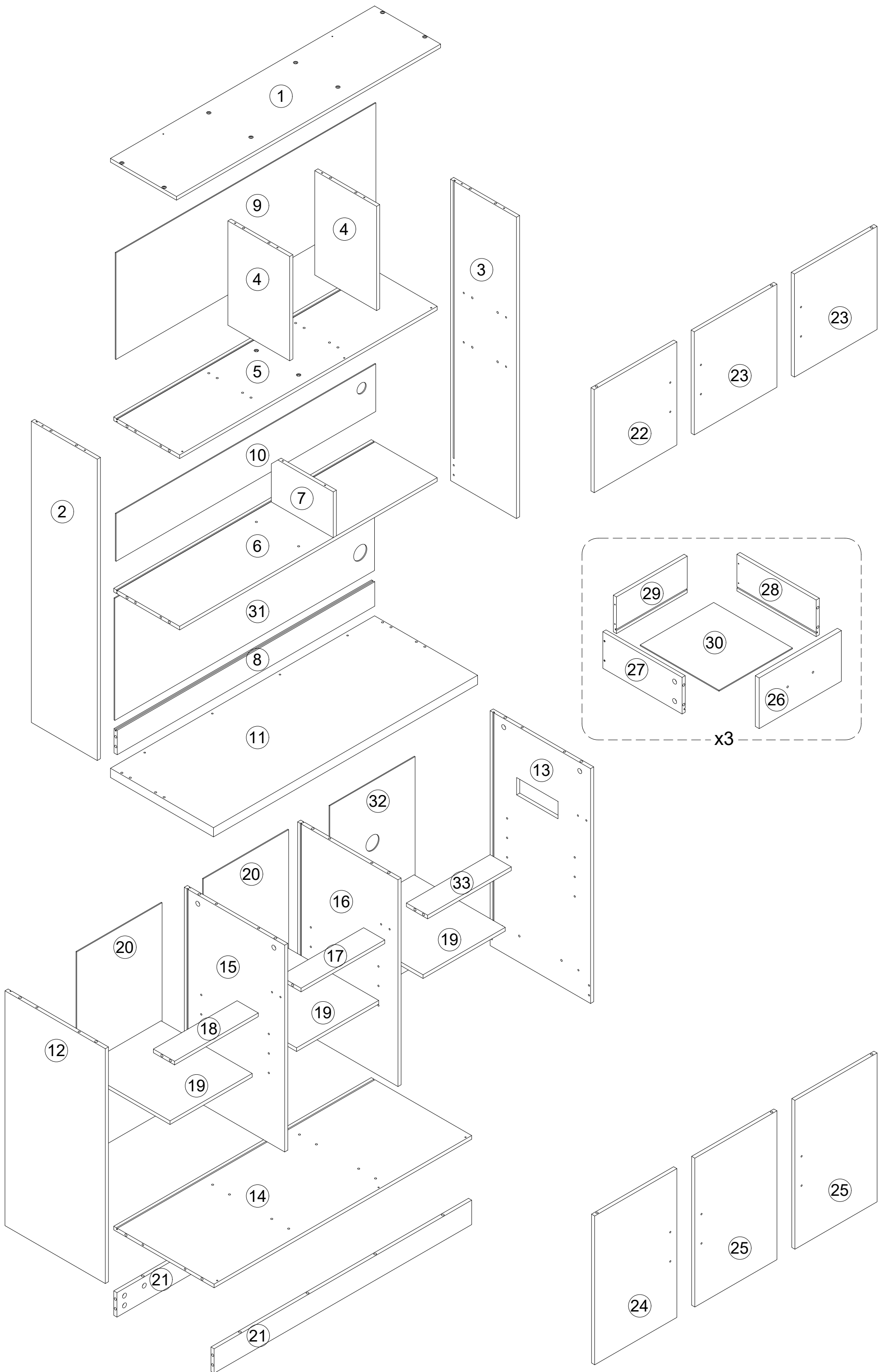
IT\_Rutotare il bloccaggio a camma in senso oragio per stringere.



## friendly reminder

To avoid errors and confusion during the installation of accessories, use the type and quantity of hardware accessories according to the installation procedure described in the instructions. First, unroll the accessories bag and lay out the hardware accessories, cut holes in the side, and take out the hardware accessories





**BOX-2/2 SKU N635P215147**

NO.	PARTS	QTY
①		x1
②		x1
③		x1
⑤		x1
⑥		x1
⑧		x1
⑨		x1
⑩		x1
⑪		x1
⑭		x1

**BOX-2/2 SKU N635P215147**

NO.	PARTS	QTY
⑰		x1
⑱		x1
⑳		x2
㉓		x3
㉔		x3
㉕		x3
㉗		x1
㉙		x1

**BOX-1/2 SKU N635P215148**

NO.	PARTS	QTY
④		x2
⑦		x1
⑫		x1
⑬		x1
⑮		x1
⑯		x1
⑲		x3
㉑		x2
㉒		x1
㉖		x2

BOX-1/2 SKU N635P215148

BOX-1/2 SKU N635P215148

BOX-1/2 SKU N635P215148

NO.	PARTS	QTY
24		x1
25		x2

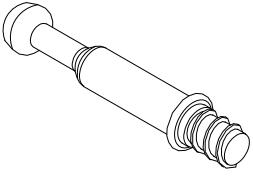
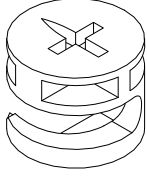
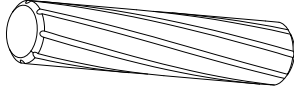
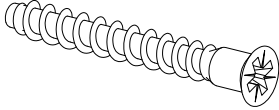
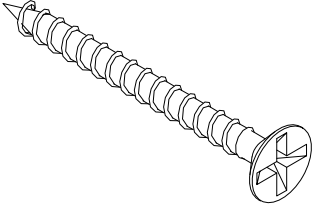

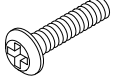
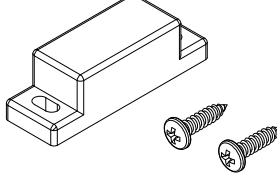

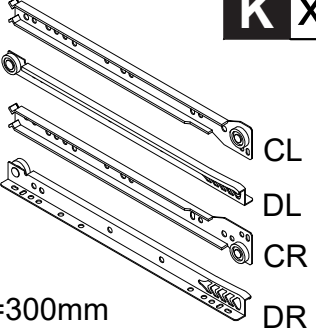
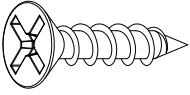
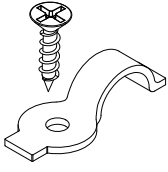
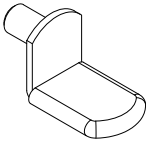

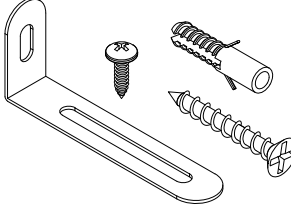
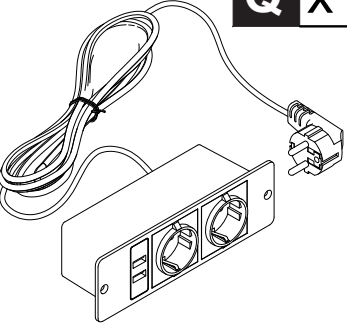
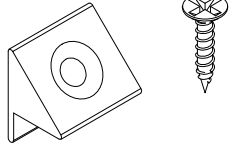
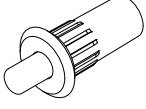
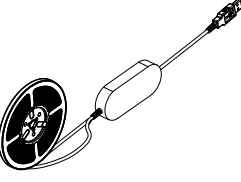
NO.	PARTS	QTY
26		x3
30		x3

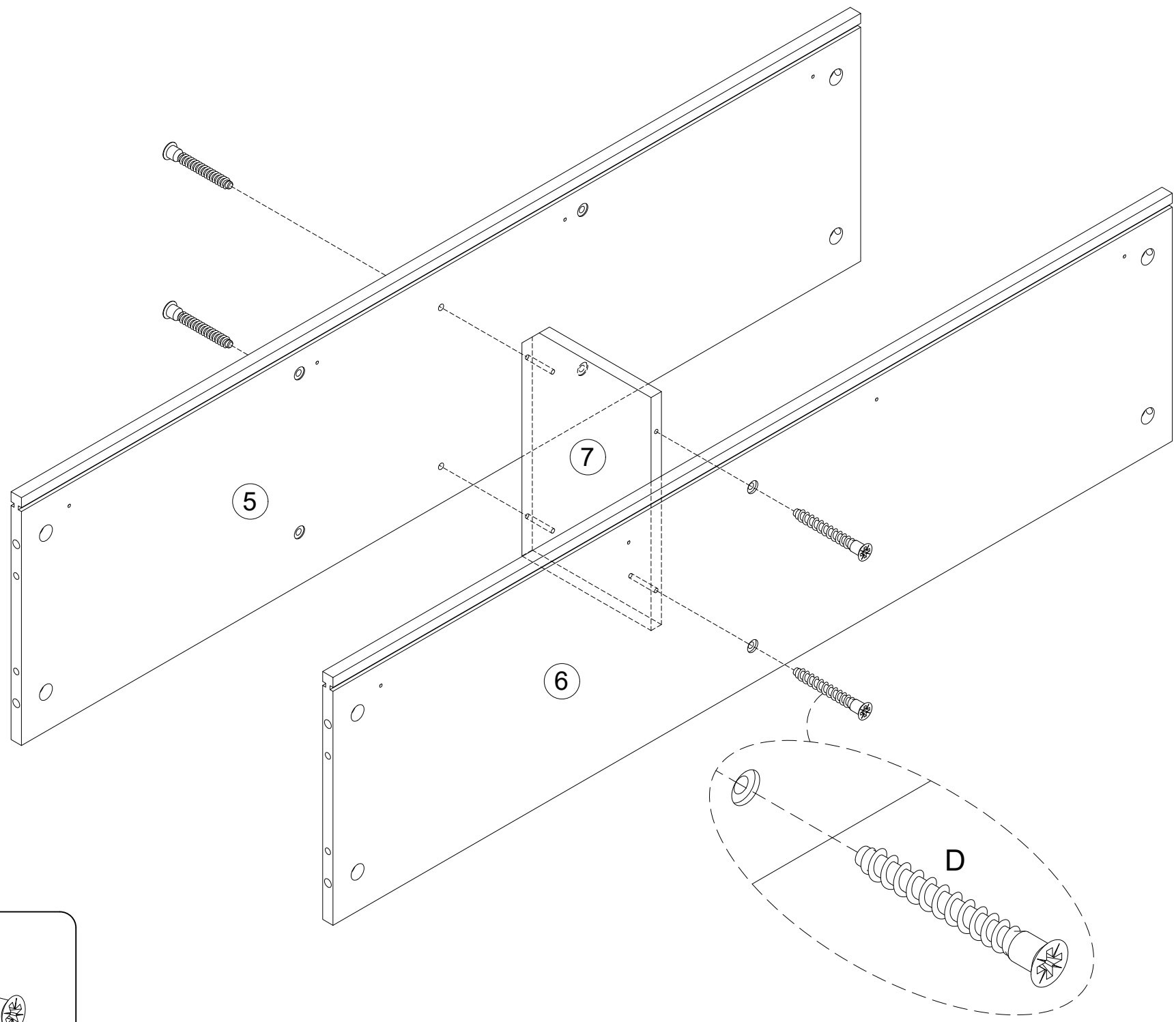
NO.	PARTS	QTY
32		x1
HARDWARE BOX		x1

PARTS

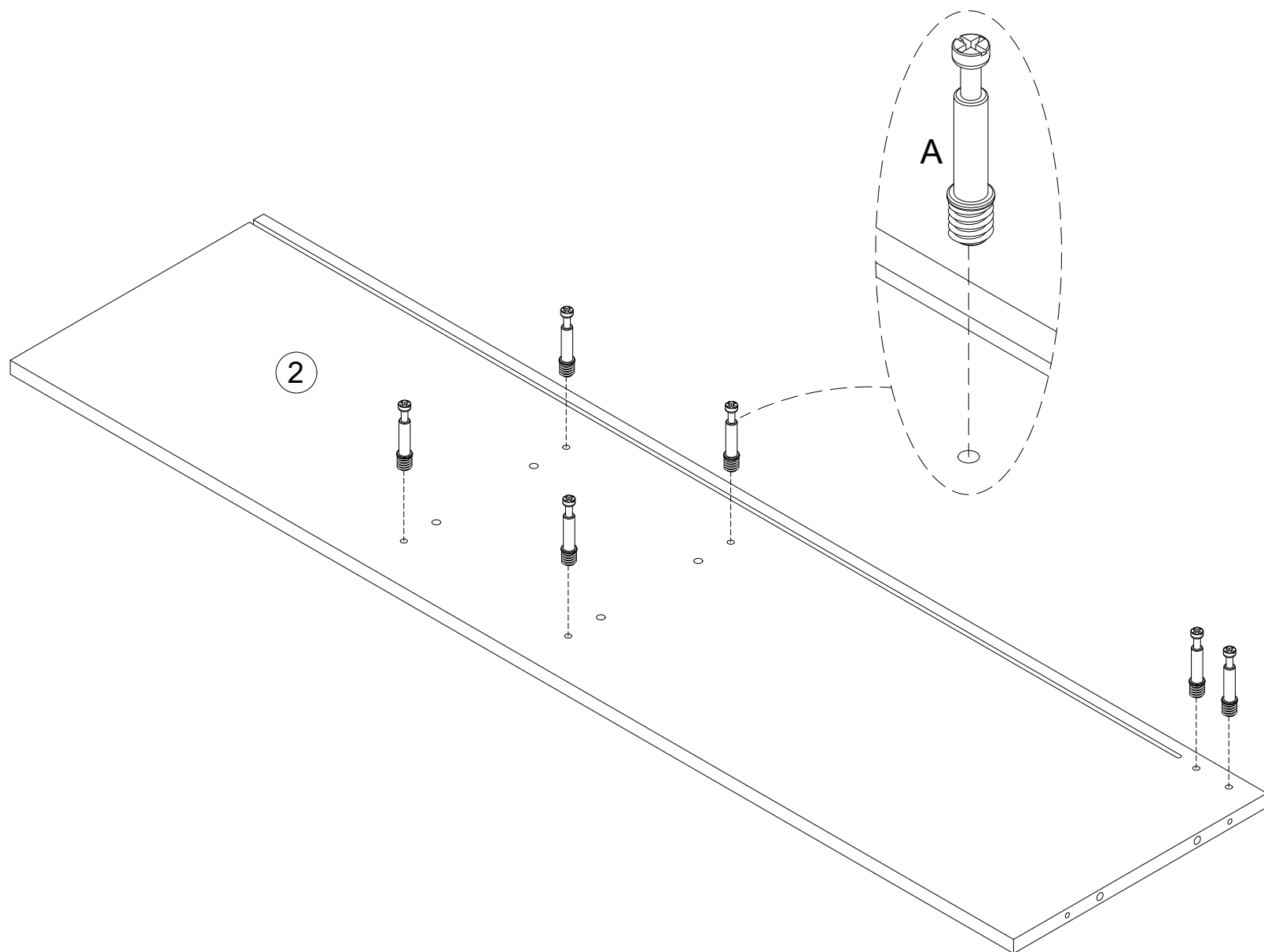
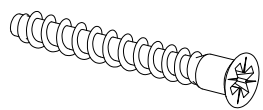
	1 x1		2 x1		3 x1		4 x2
	5 x1		6 x1		7 x1		8 x1
	9 x1		10 x1		11 x1		12 x1
	13 x1		14 x1		15 x1		16 x1
	17 x1		18 x1		19 x3		20 x2
	21 x2		22 x1		23 x2		24 x1
	25 x2		26 x3		27 x3		28 x3
	29 x3		30 x3		31 x1		32 x1
	33 x1						

BOX-1/2 SKU N635P215148

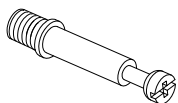
<p><b>A</b> x68</p> 	<p><b>B</b> x68</p> 	<p><b>C</b> x40 6x30mm</p> 	<p><b>D</b> x24 5x38mm</p> 	<p><b>E</b> x12 4x35mm</p> 
<p><b>F</b> x9</p> 	<p><b>H</b> x18 M4x14mm</p> 	<p><b>I</b> x6 3x14mm</p> 	<p><b>J</b> x6 3x10mm</p> 	<p><b>K</b> x3</p>  <p>CL DL CR DR L=300mm</p>
<p><b>L</b> x26 3.5x12mm</p> 	<p><b>M</b> x8 3x10mm</p> 	<p><b>N</b> x12</p> 	<p><b>O</b> x1</p> 	<p><b>P</b> x2</p> 
<p><b>Q</b> x1</p> 	<p><b>R</b> x49 3x16mm</p> 	<p><b>S</b> x12</p> 	<p><b>T</b> x1</p> 	



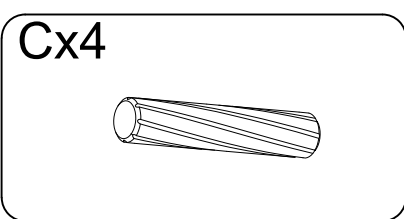
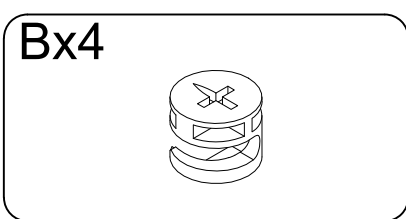
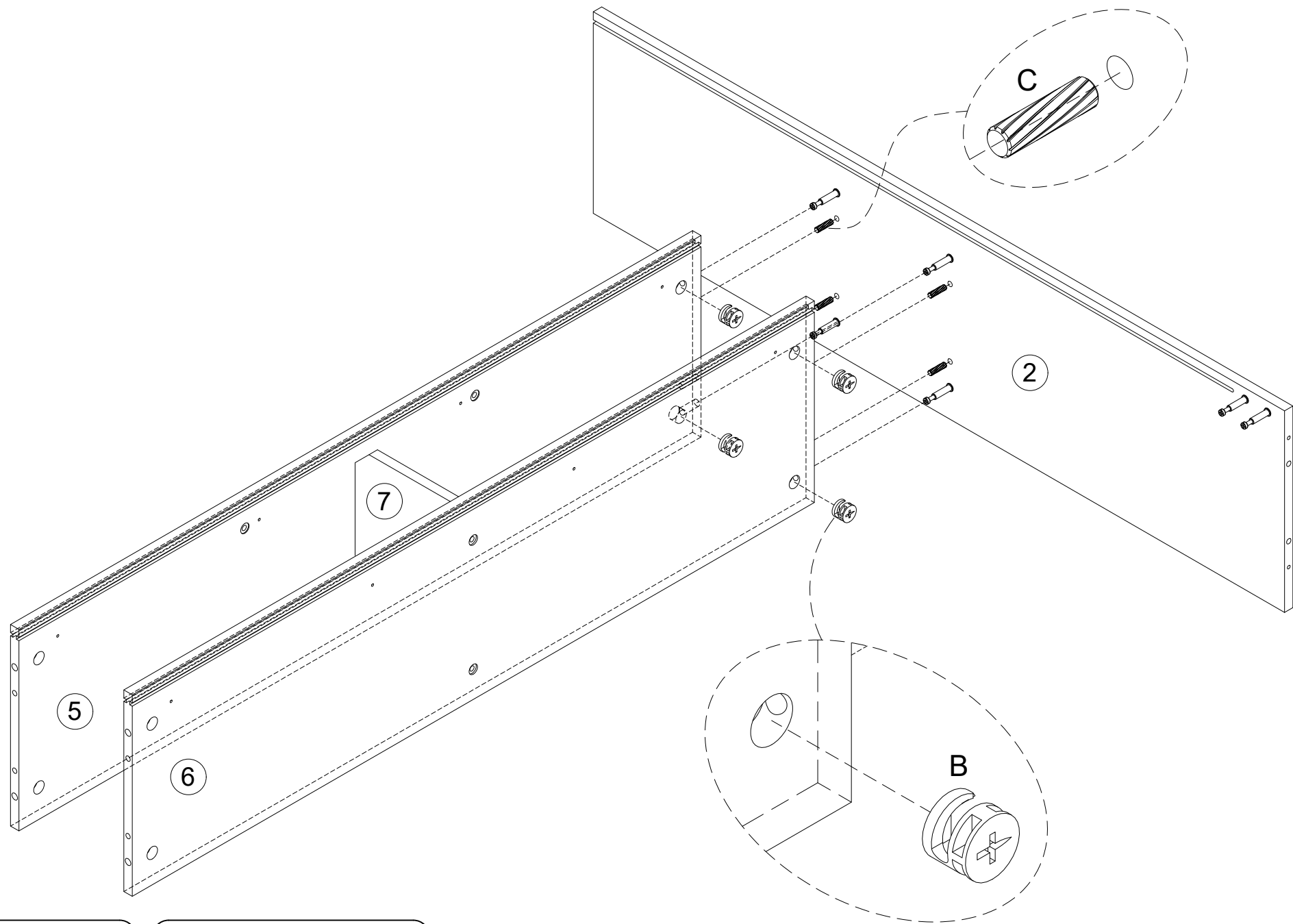
Dx4



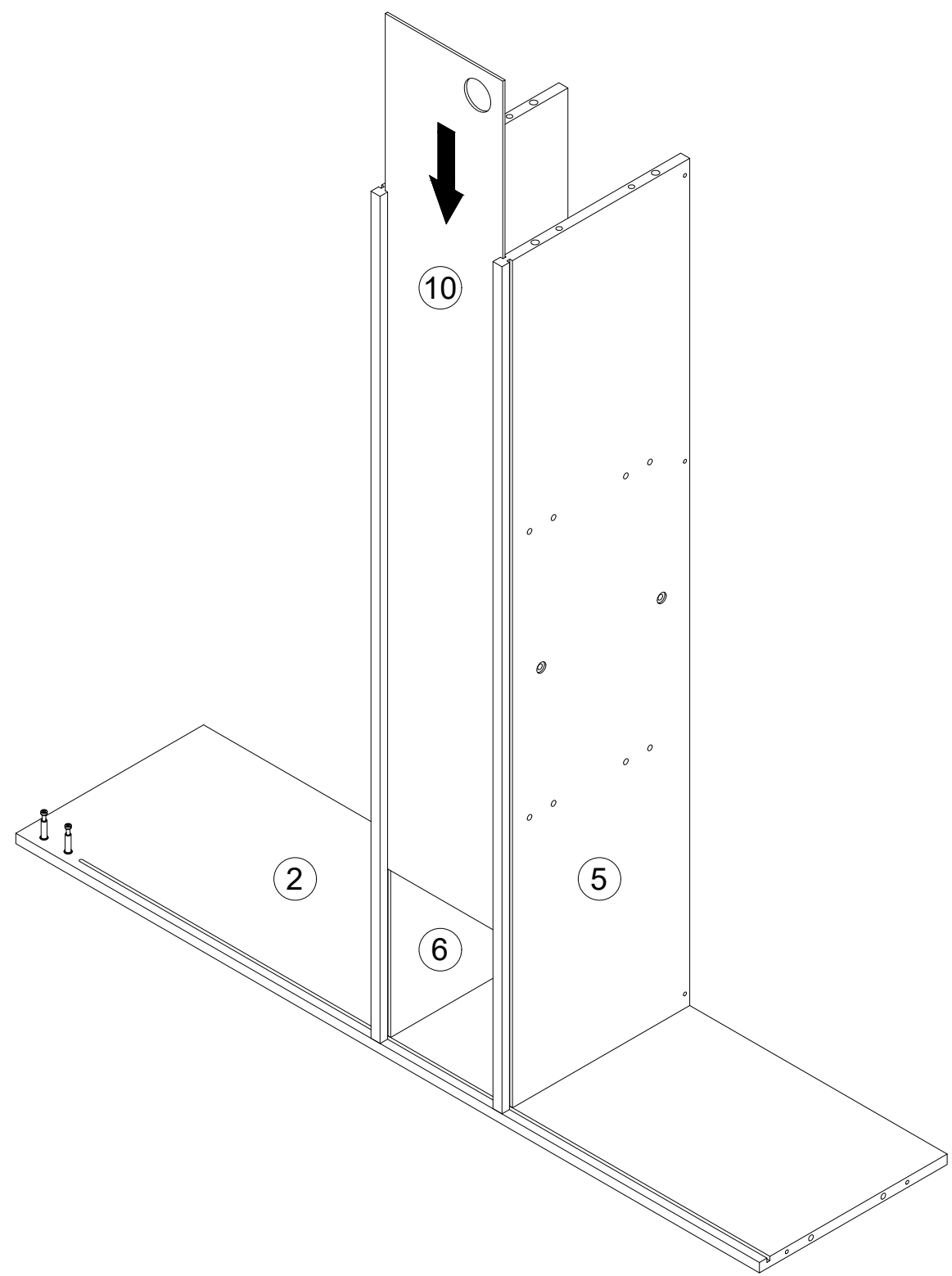
Ax6



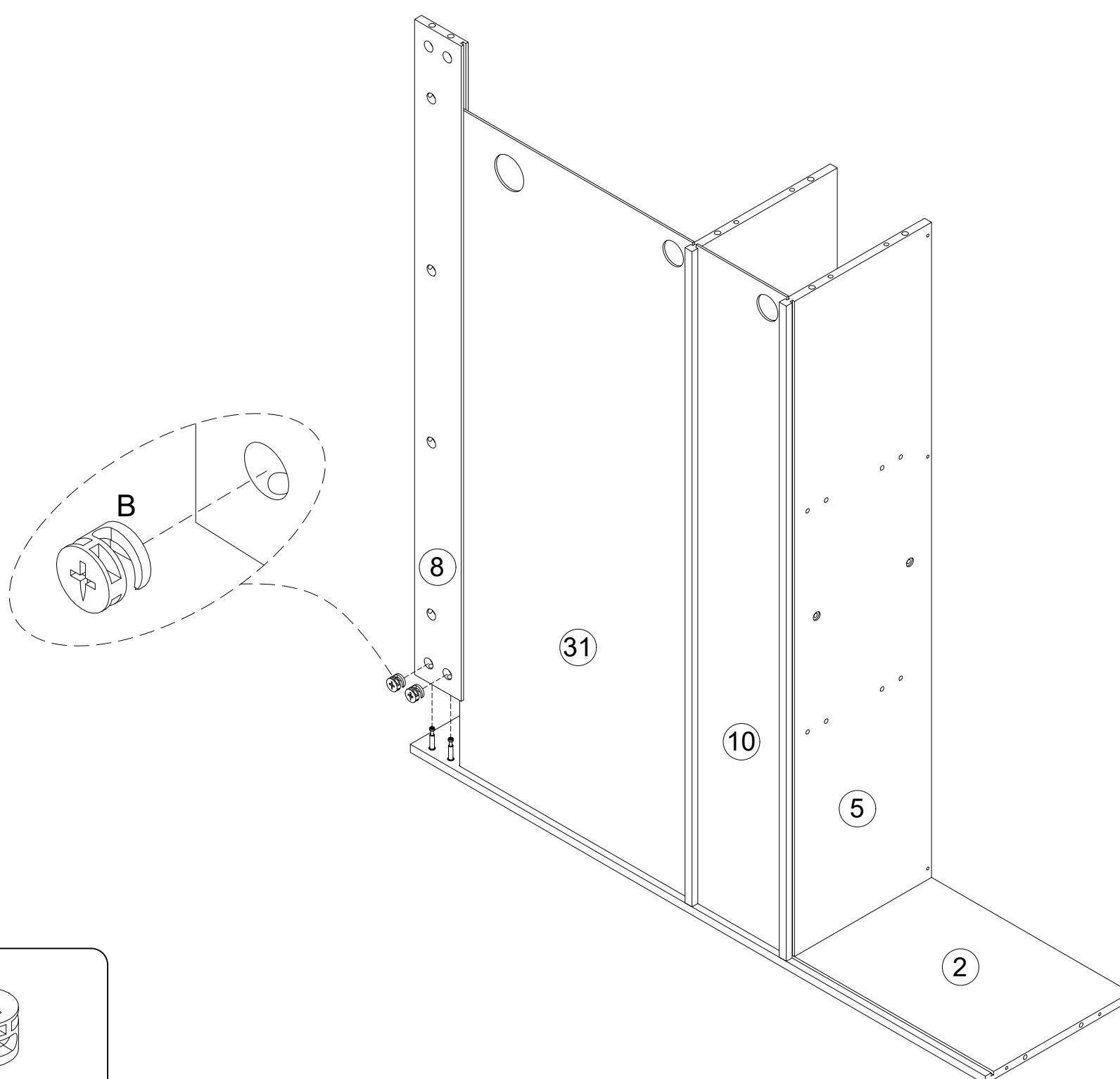
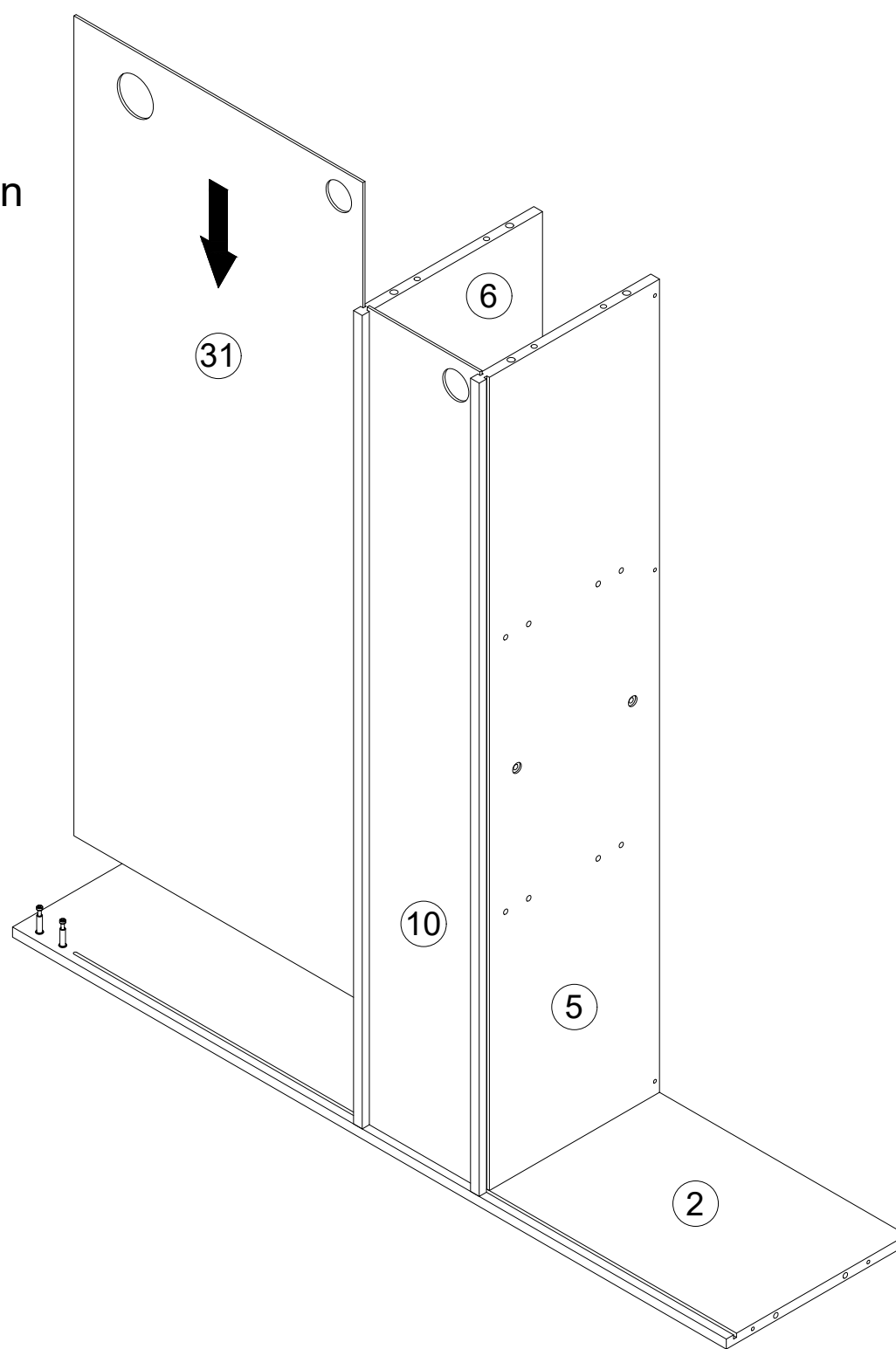
3



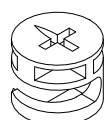
4

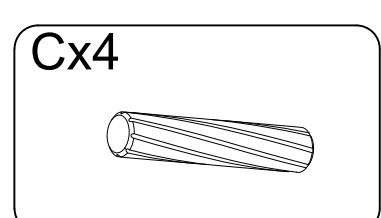
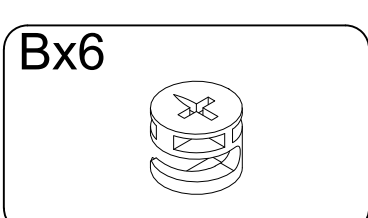
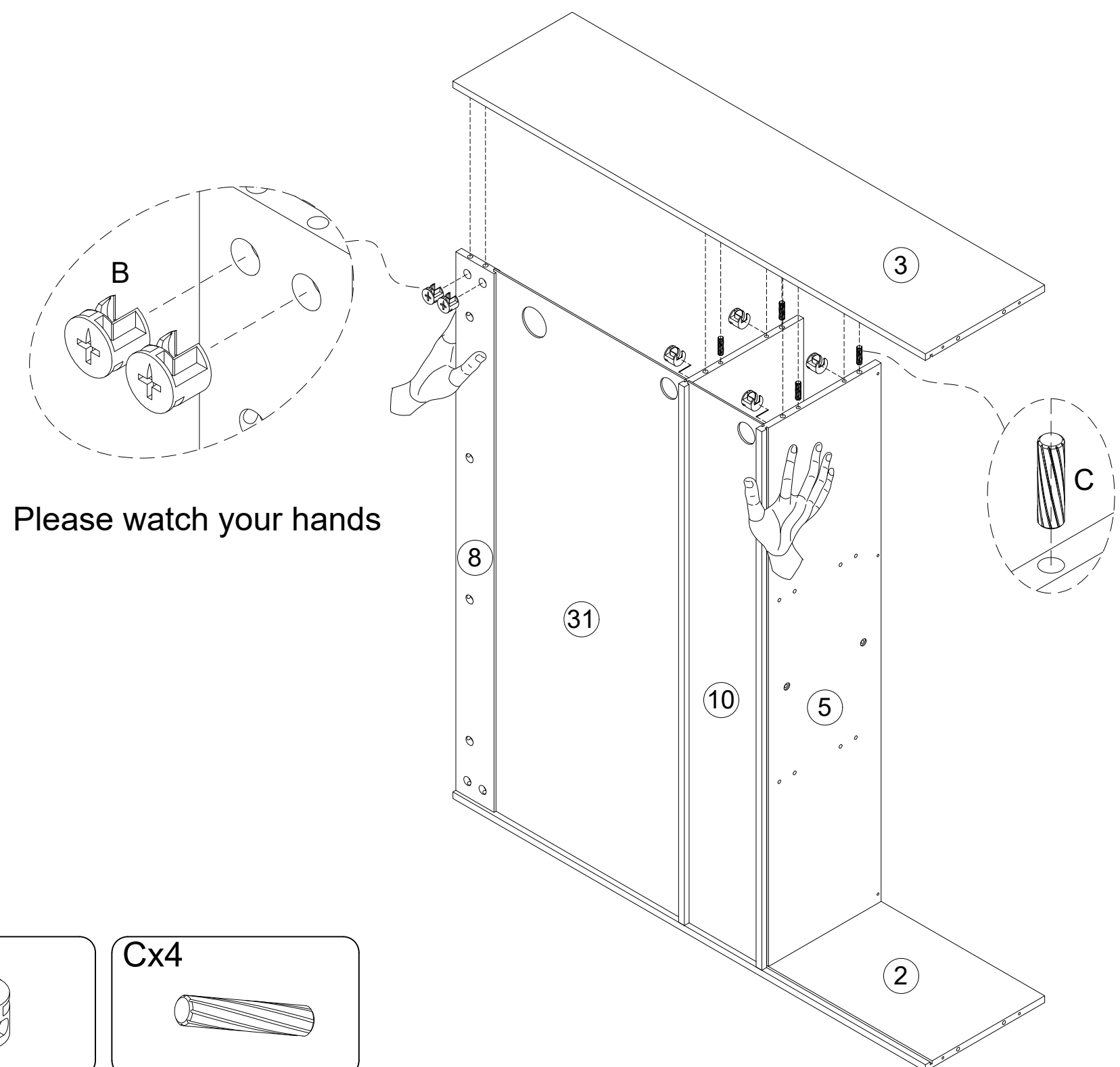
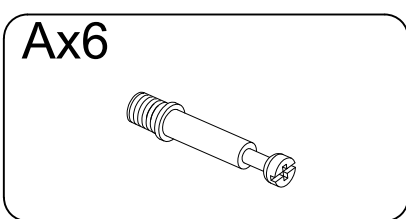
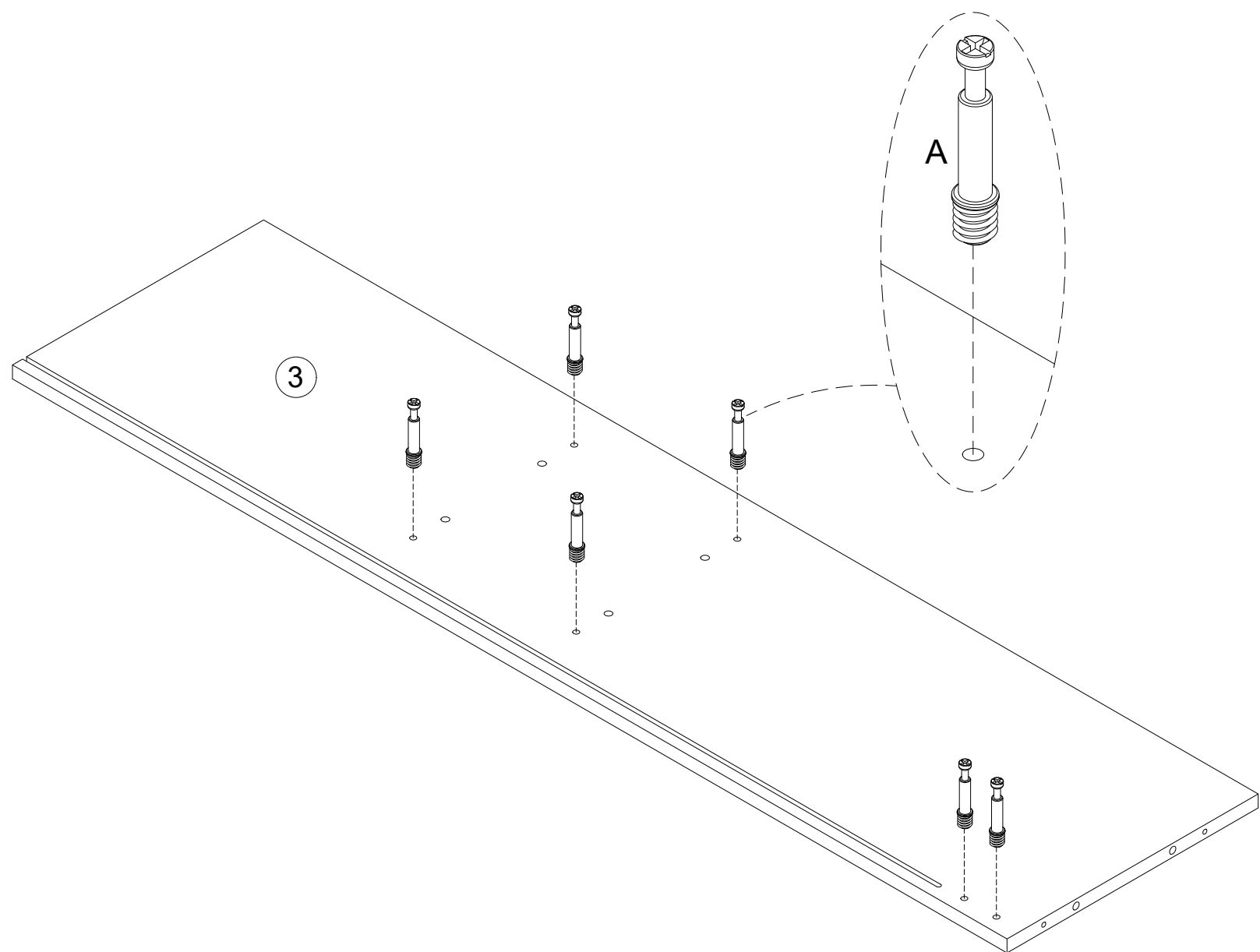


Please note ③① the location  
of large or small holes

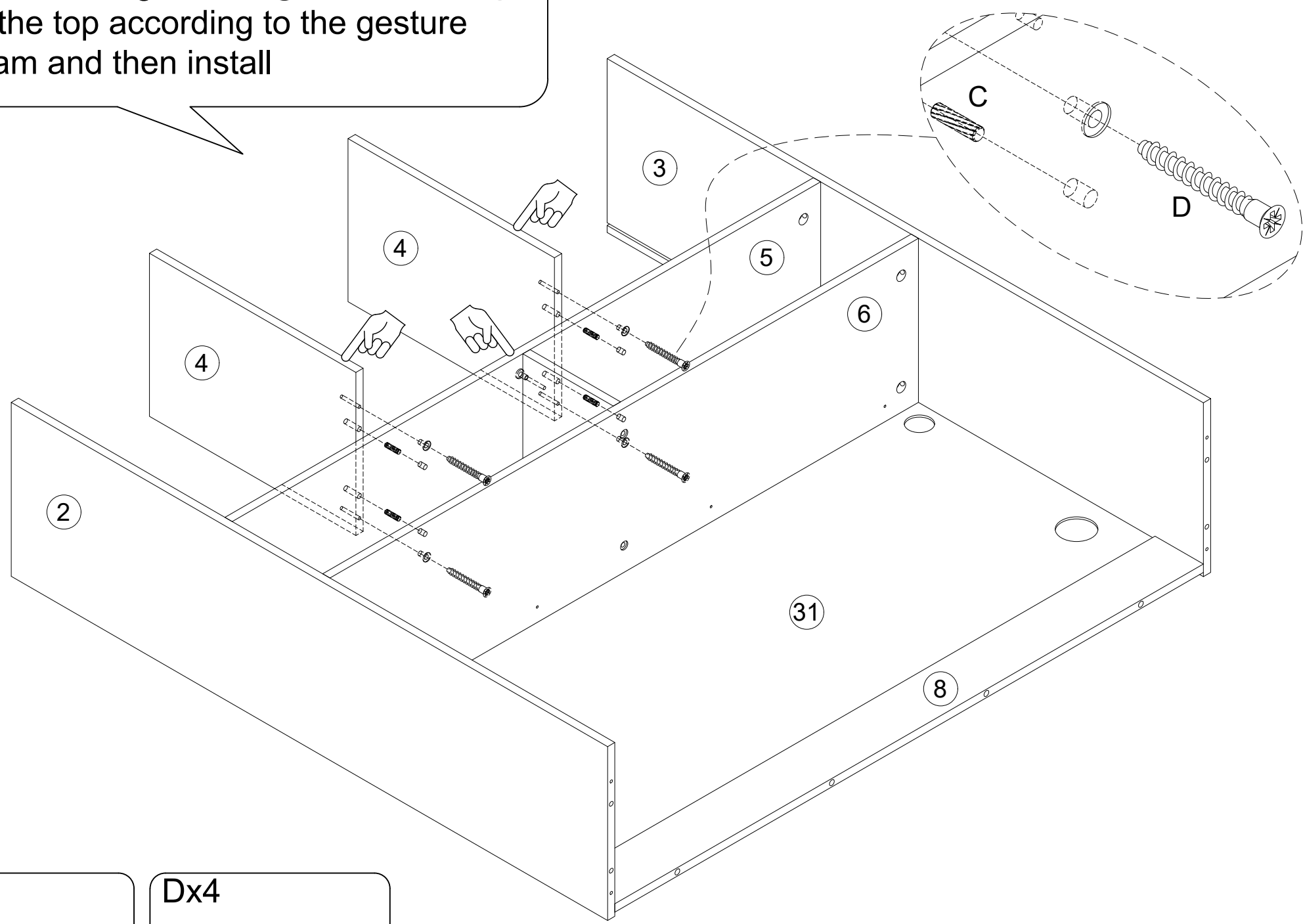


Bx2

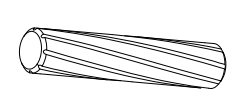




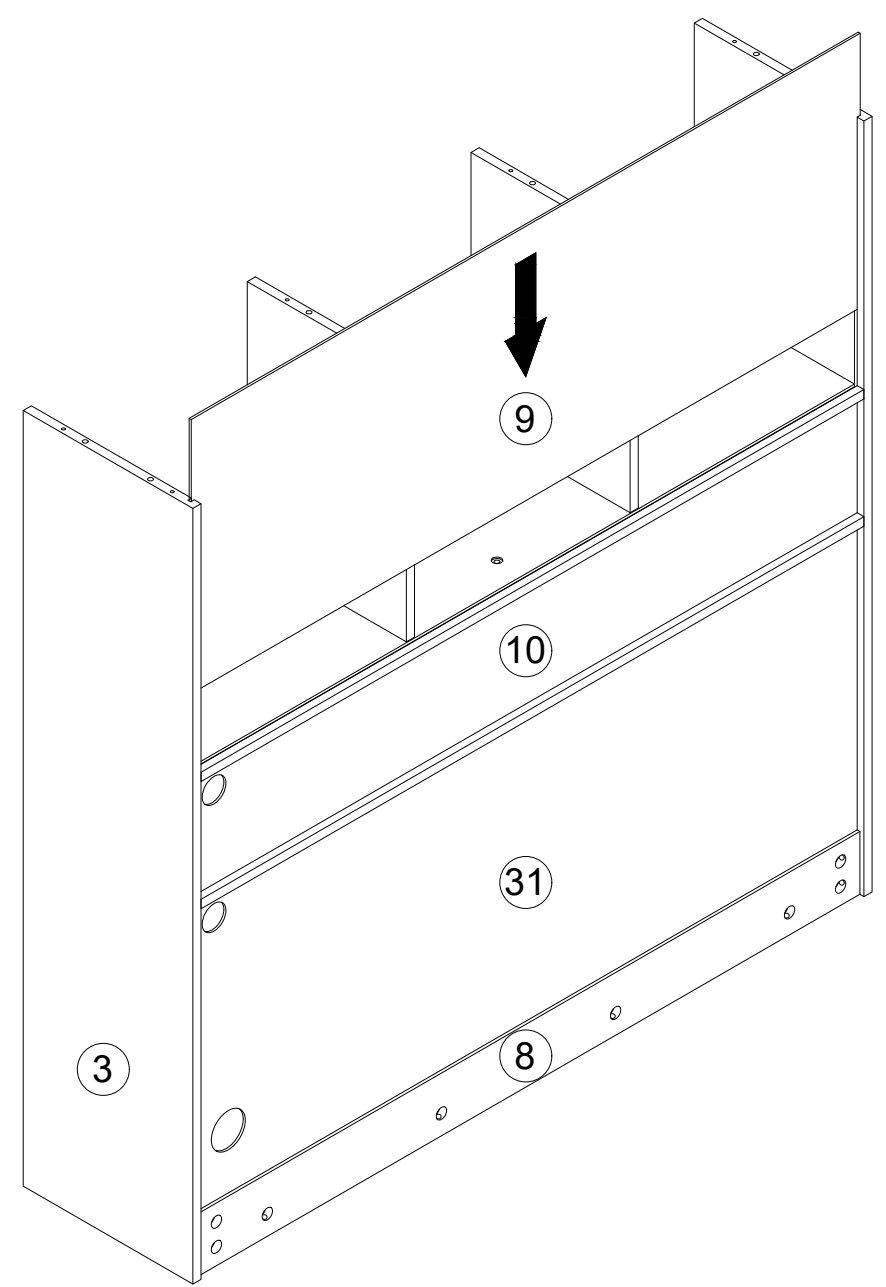
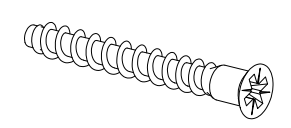
Before installing Board ④ and Board ⑤, align the top according to the gesture diagram and then install

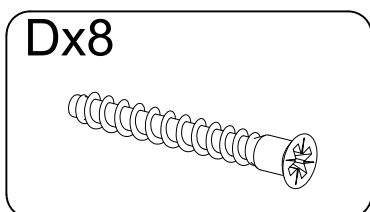
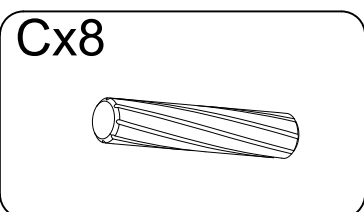
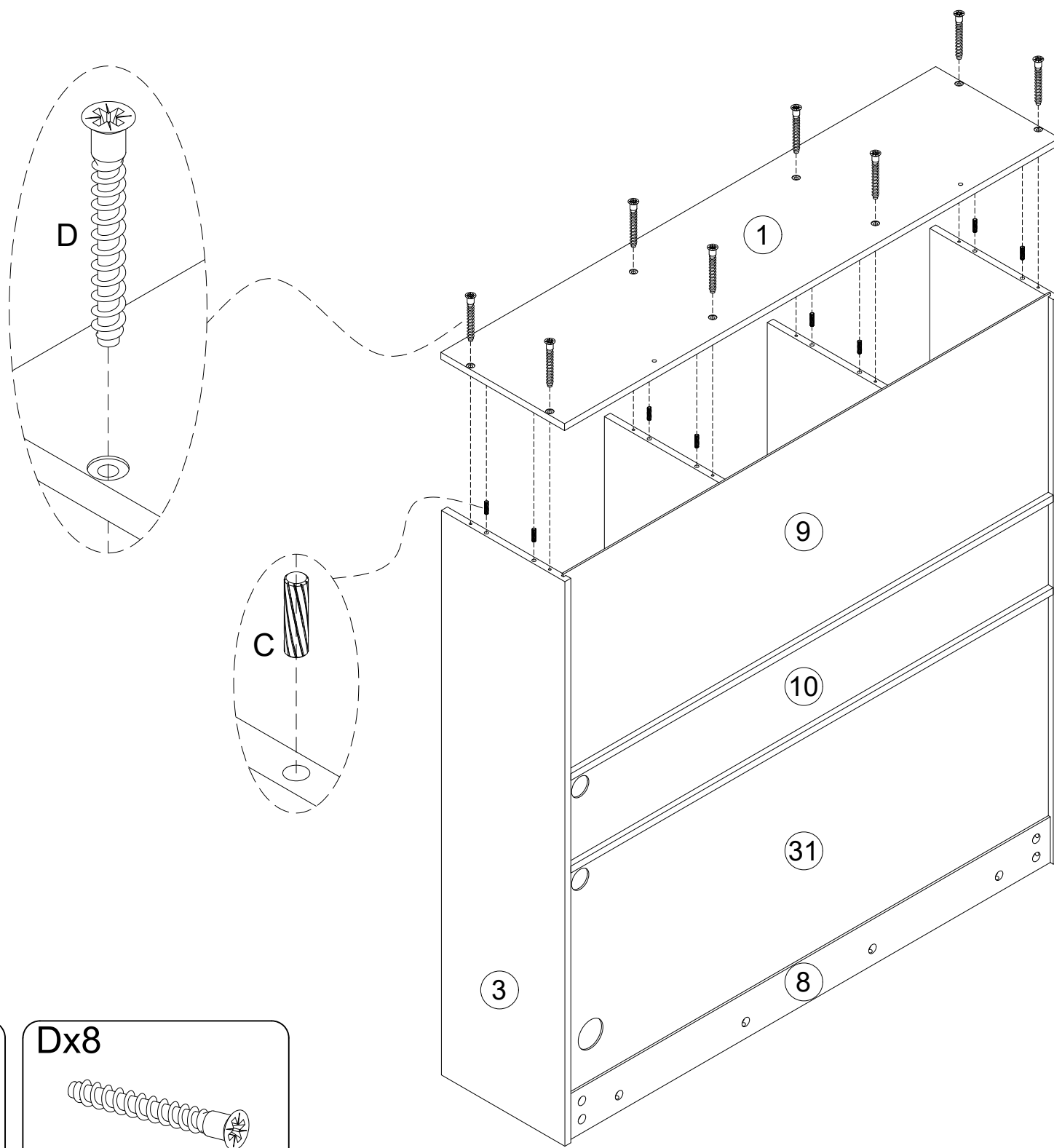
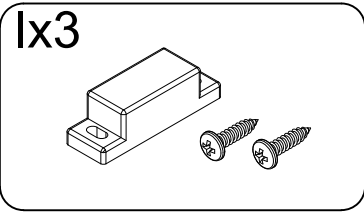
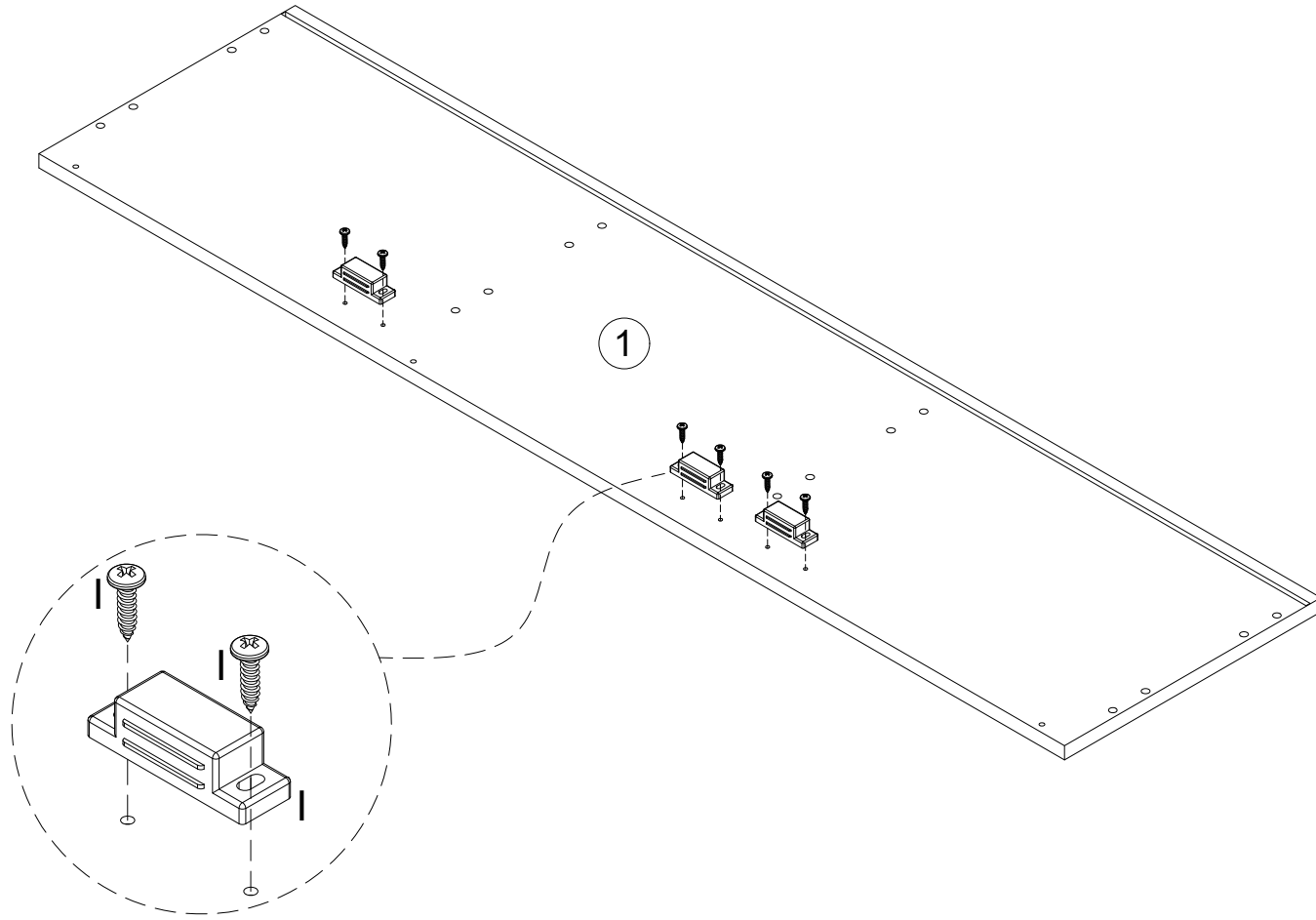
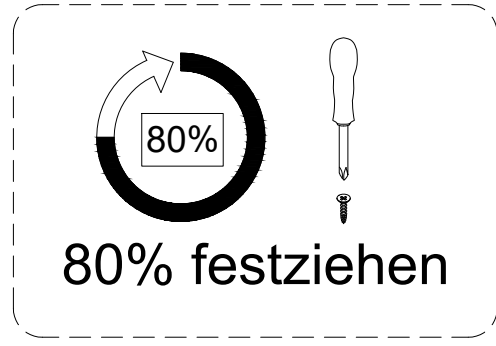


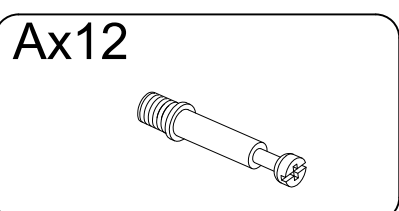
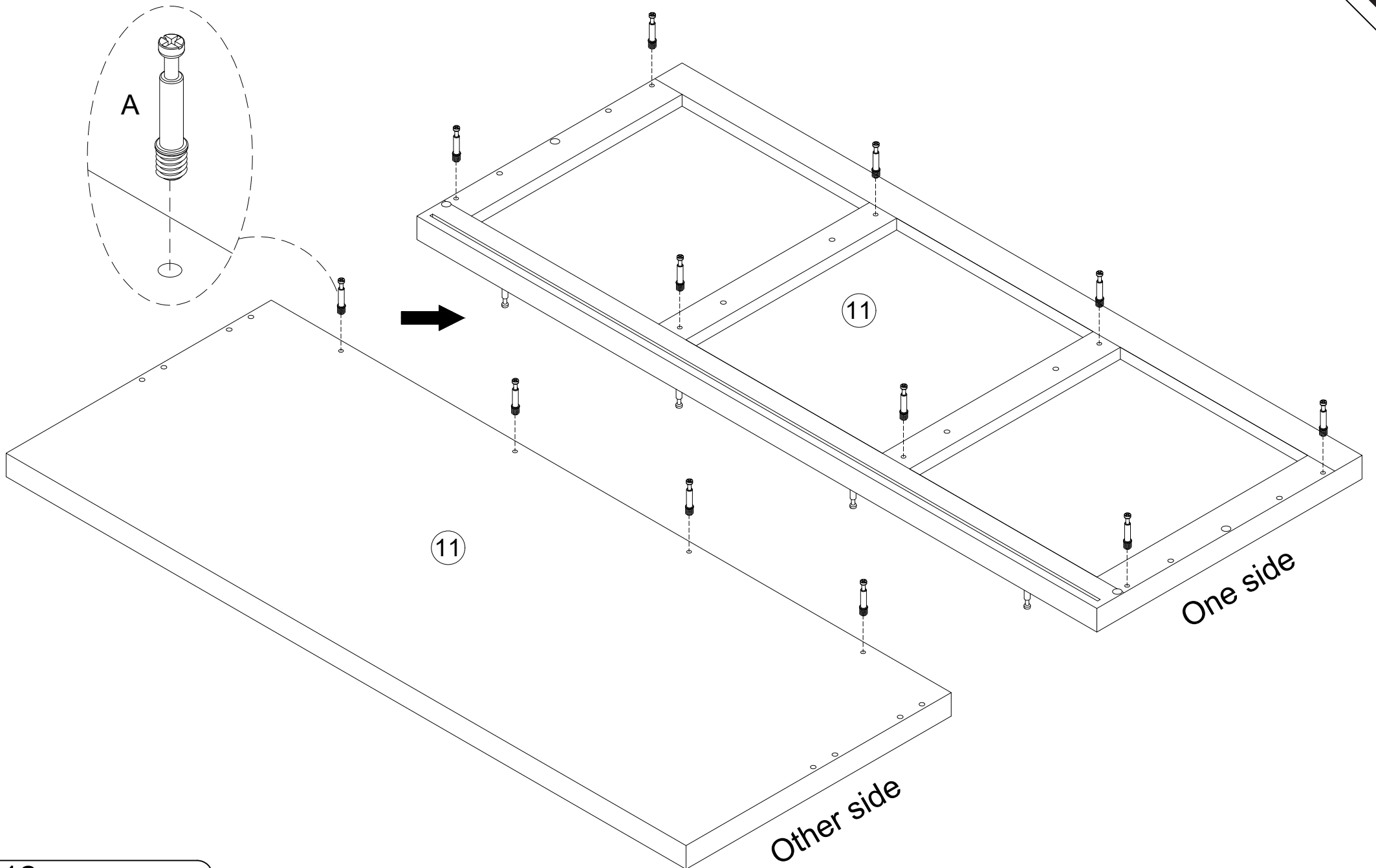
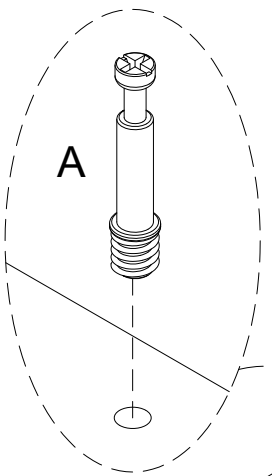
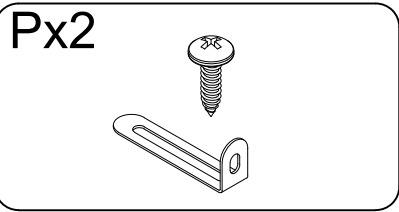
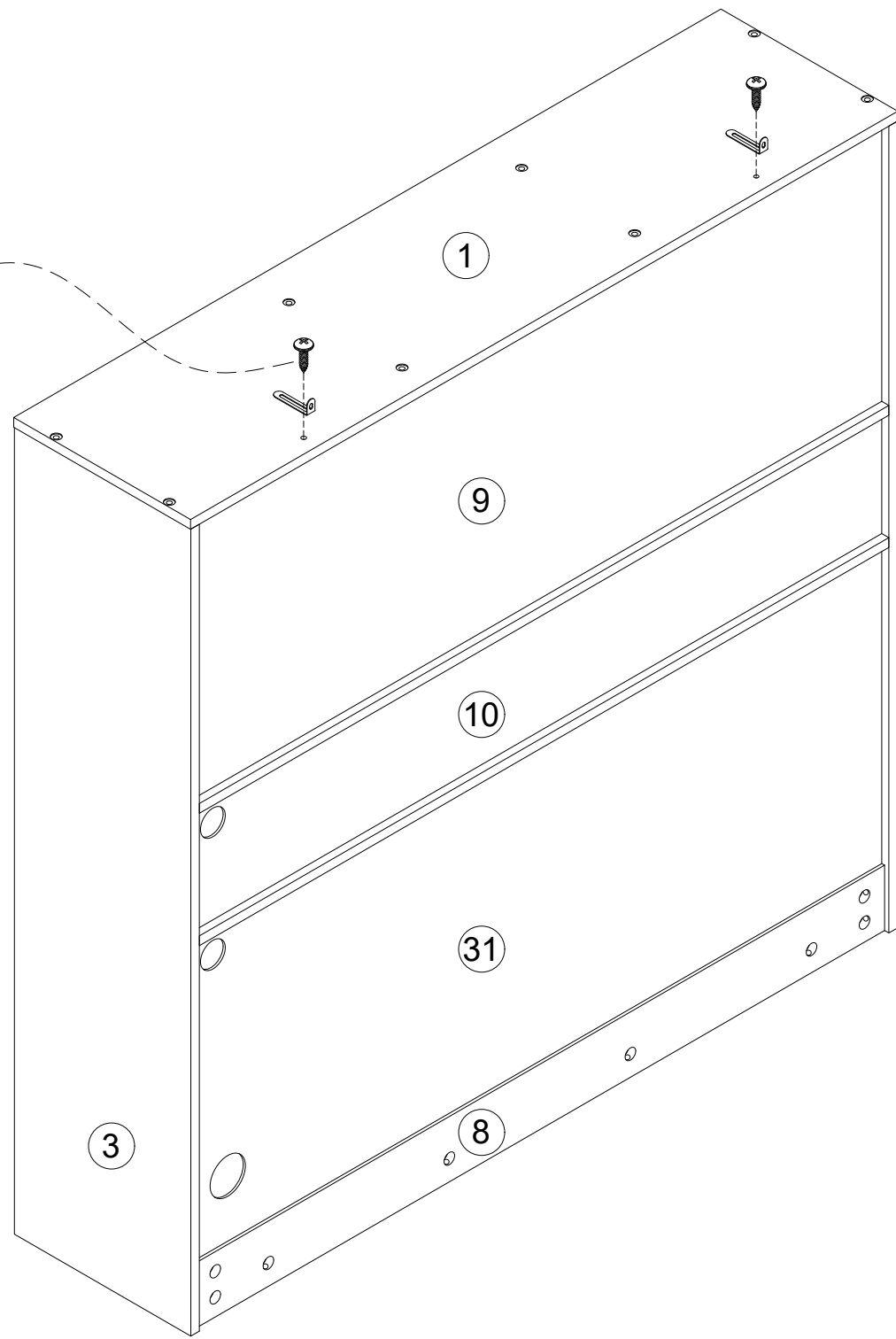
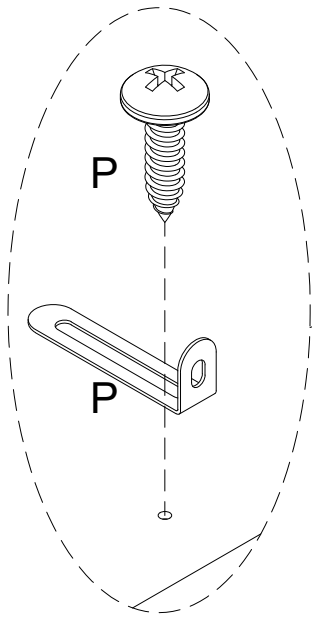
Cx4

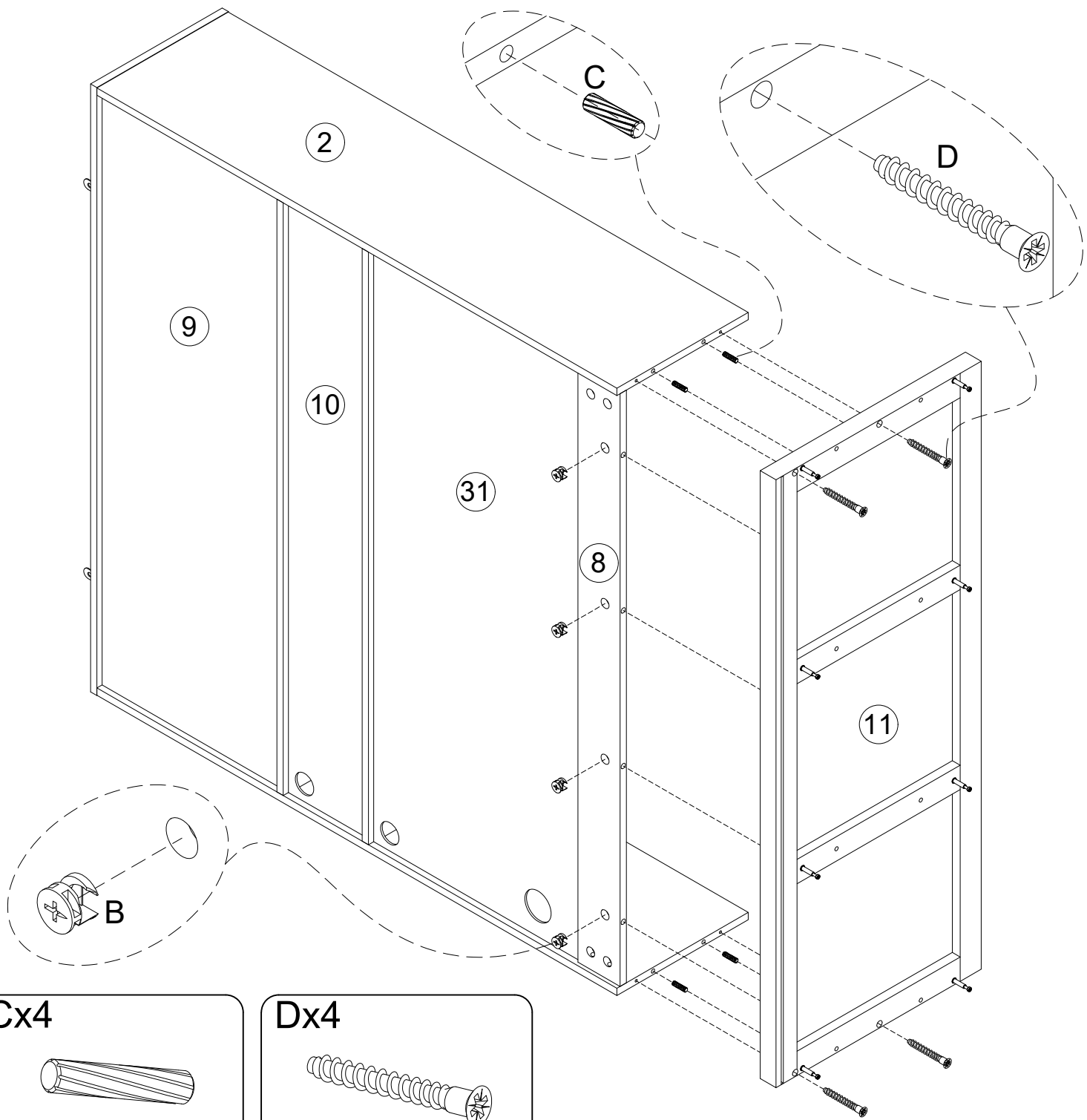


Dx4

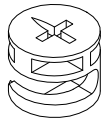




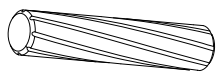




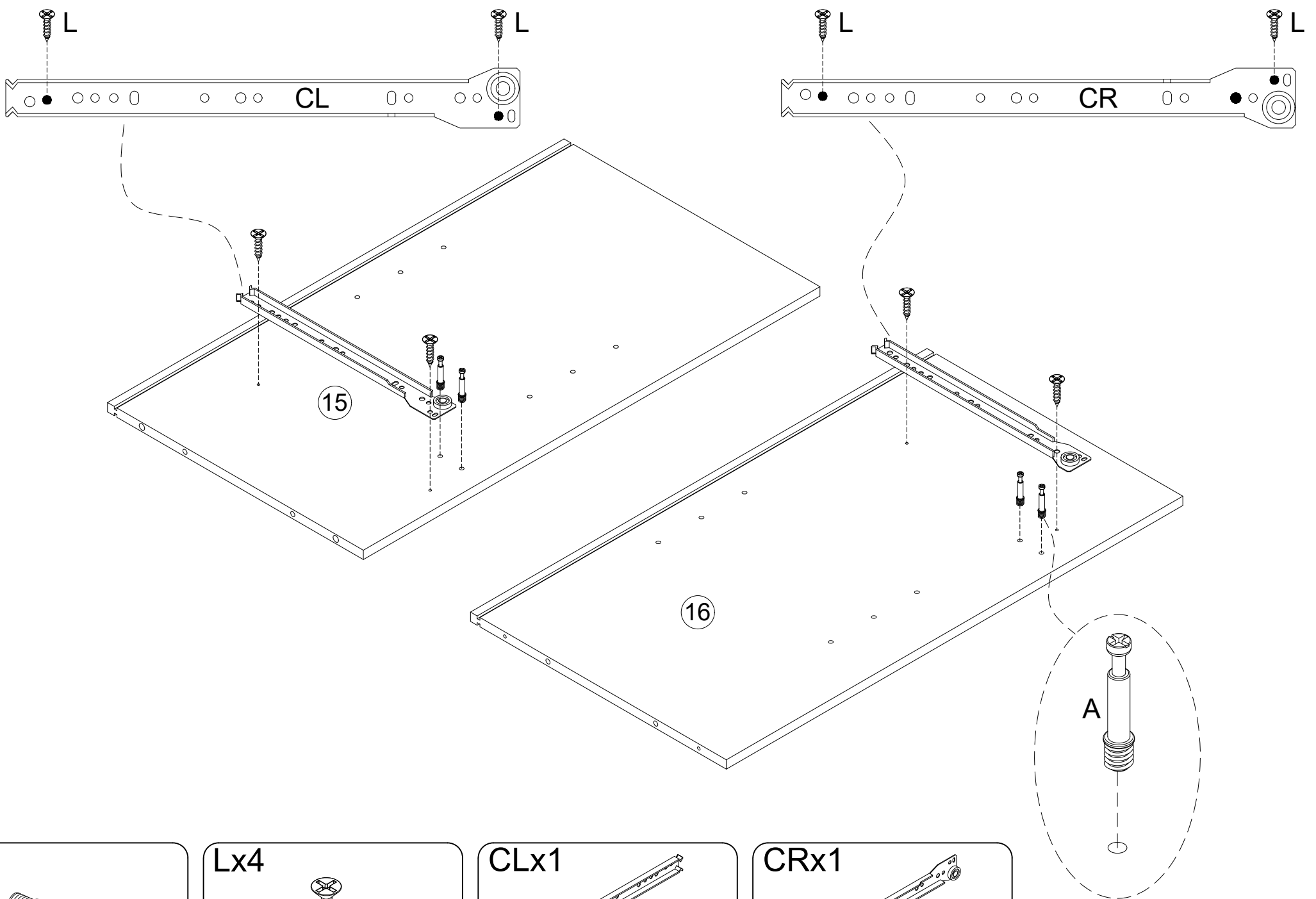
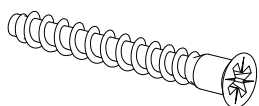
Bx4



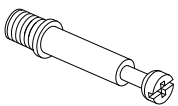
Cx4



Dx4



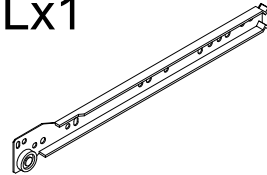
Ax4



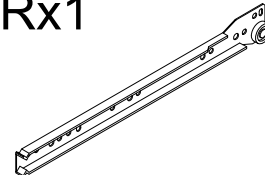
Lx4

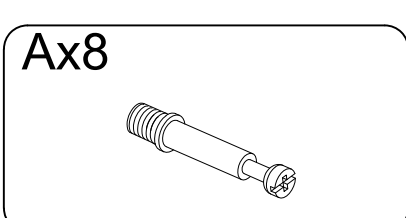
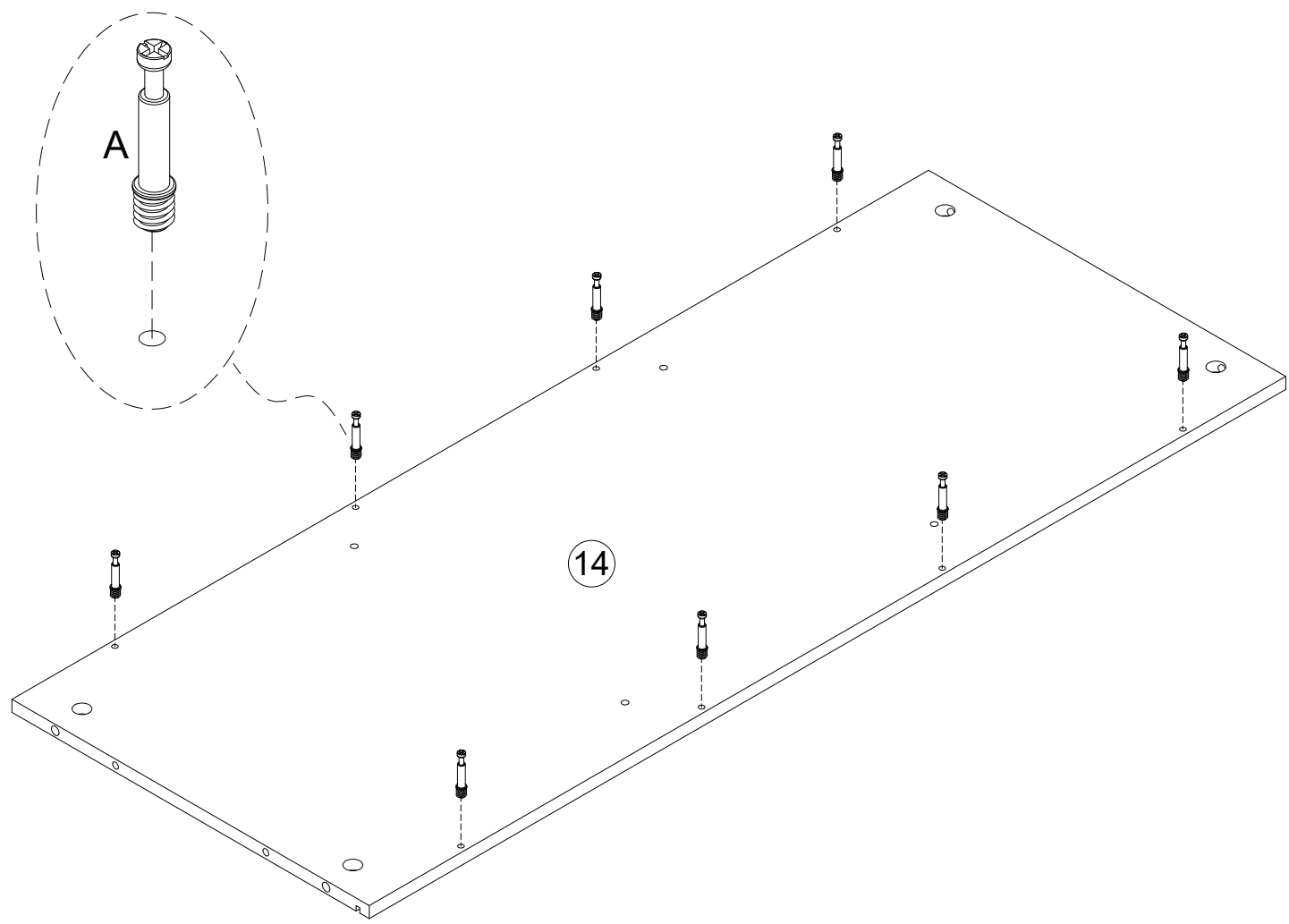
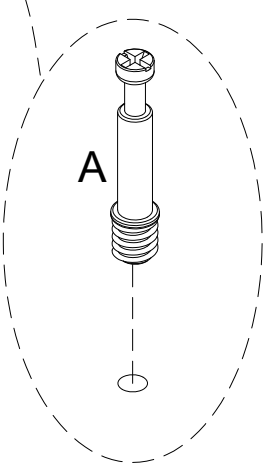
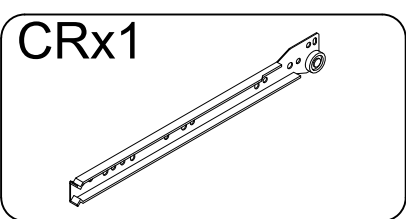
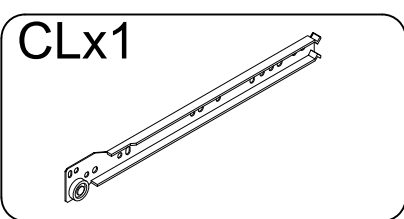
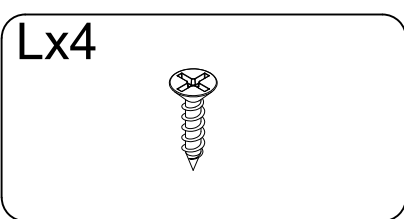
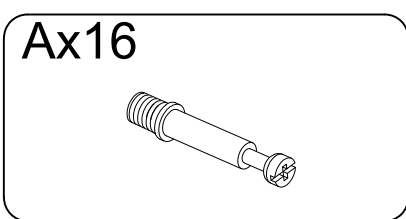
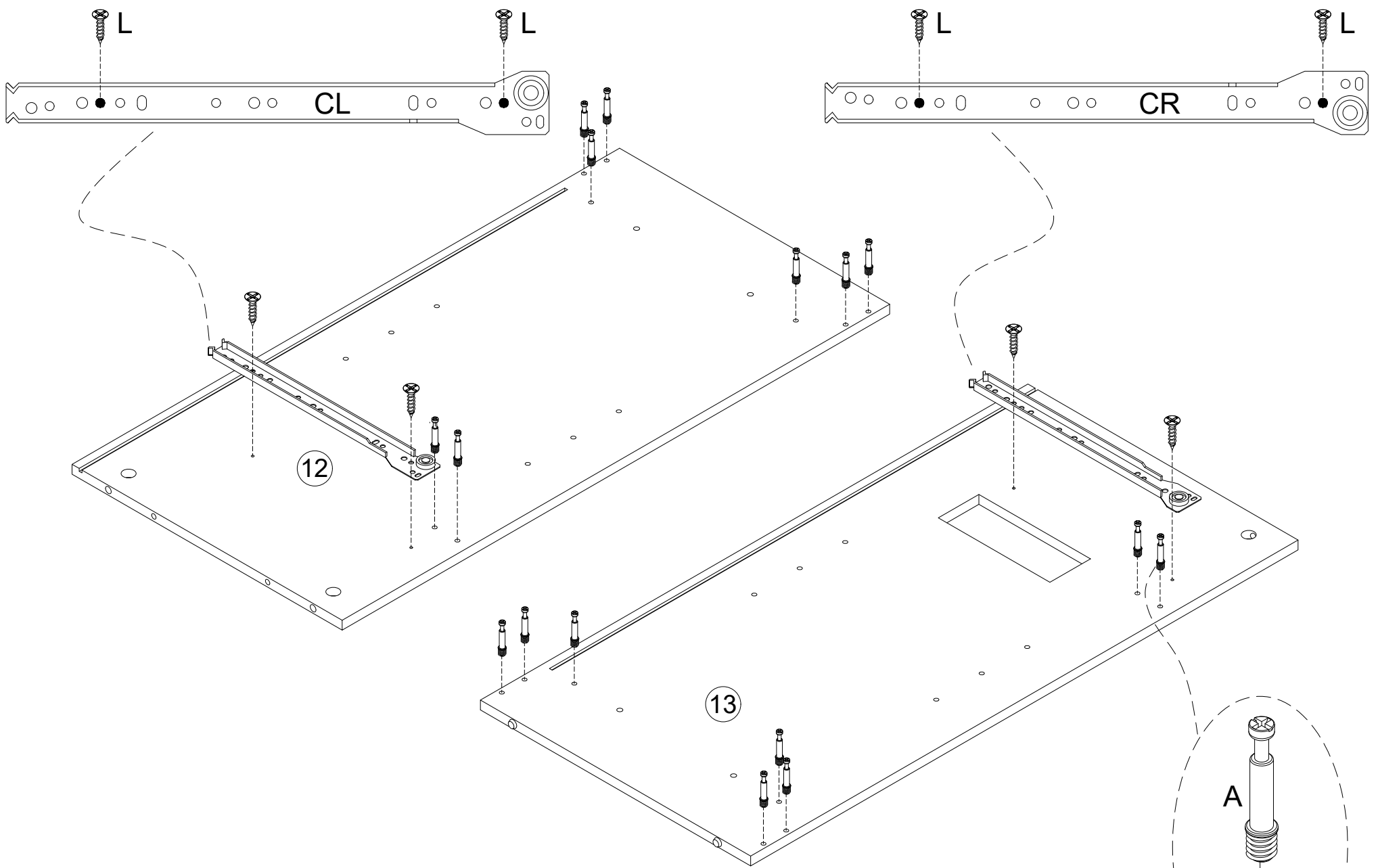


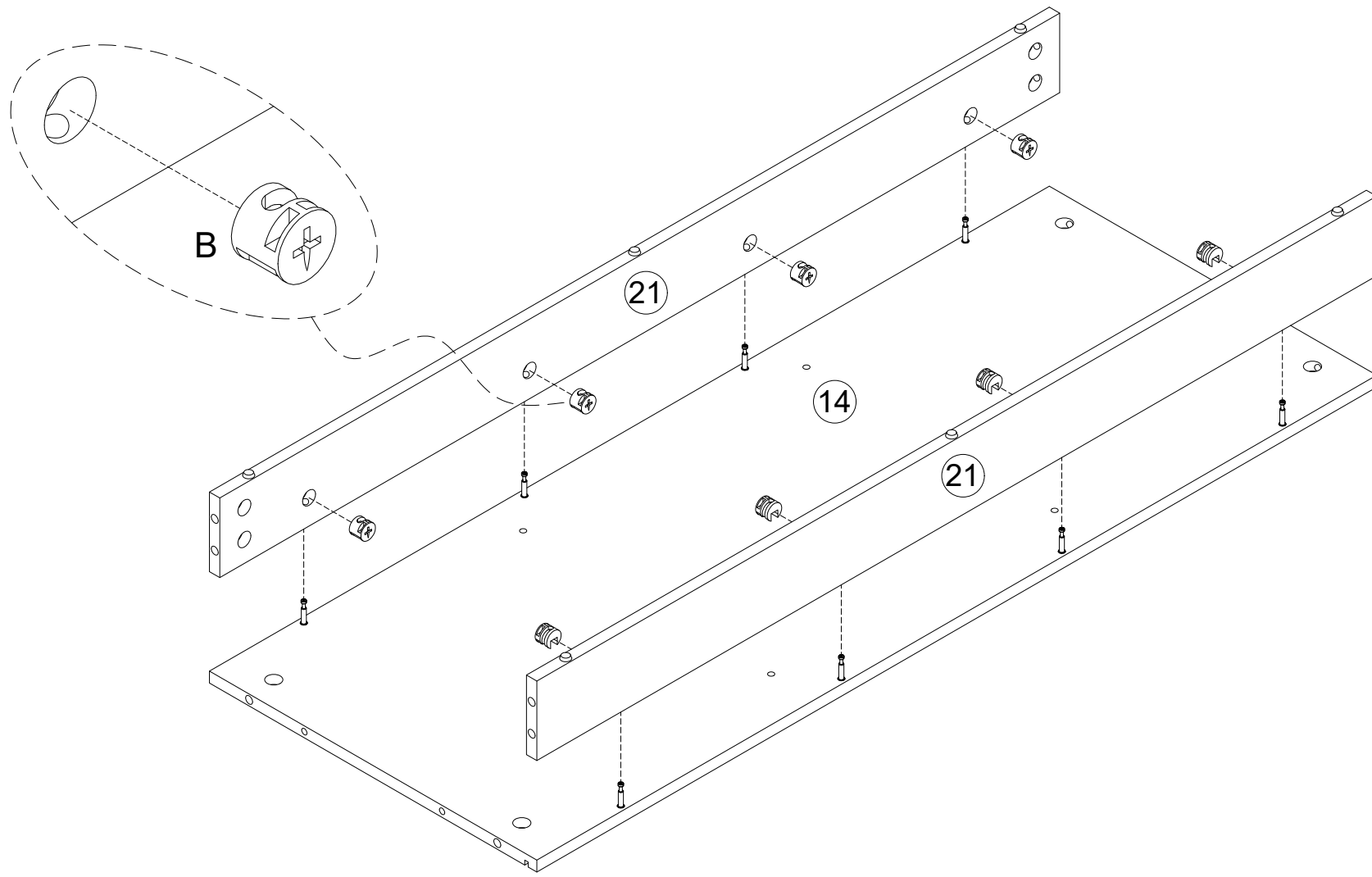
CLx1



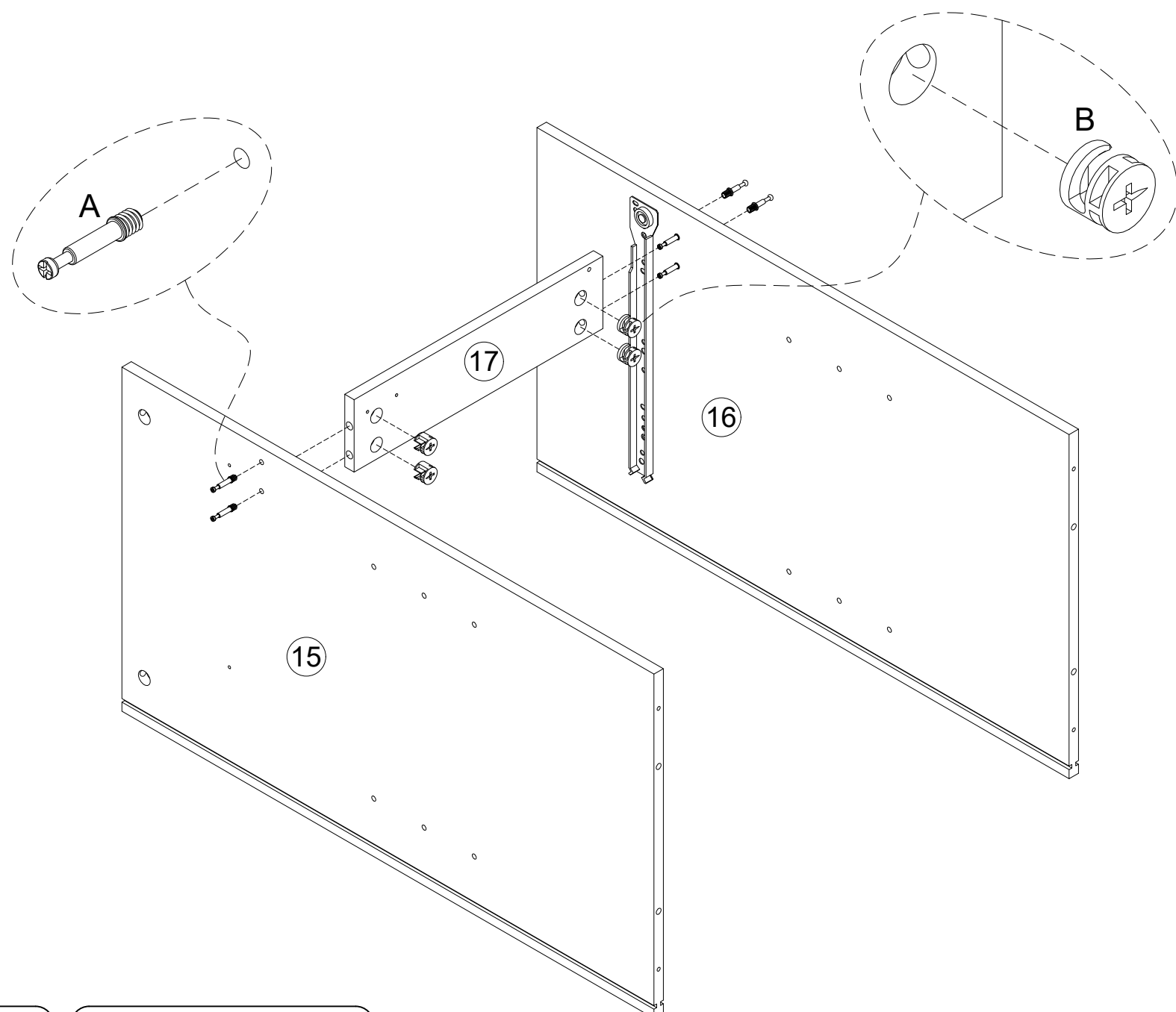
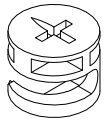
CRx1



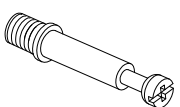




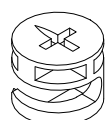
Bx8

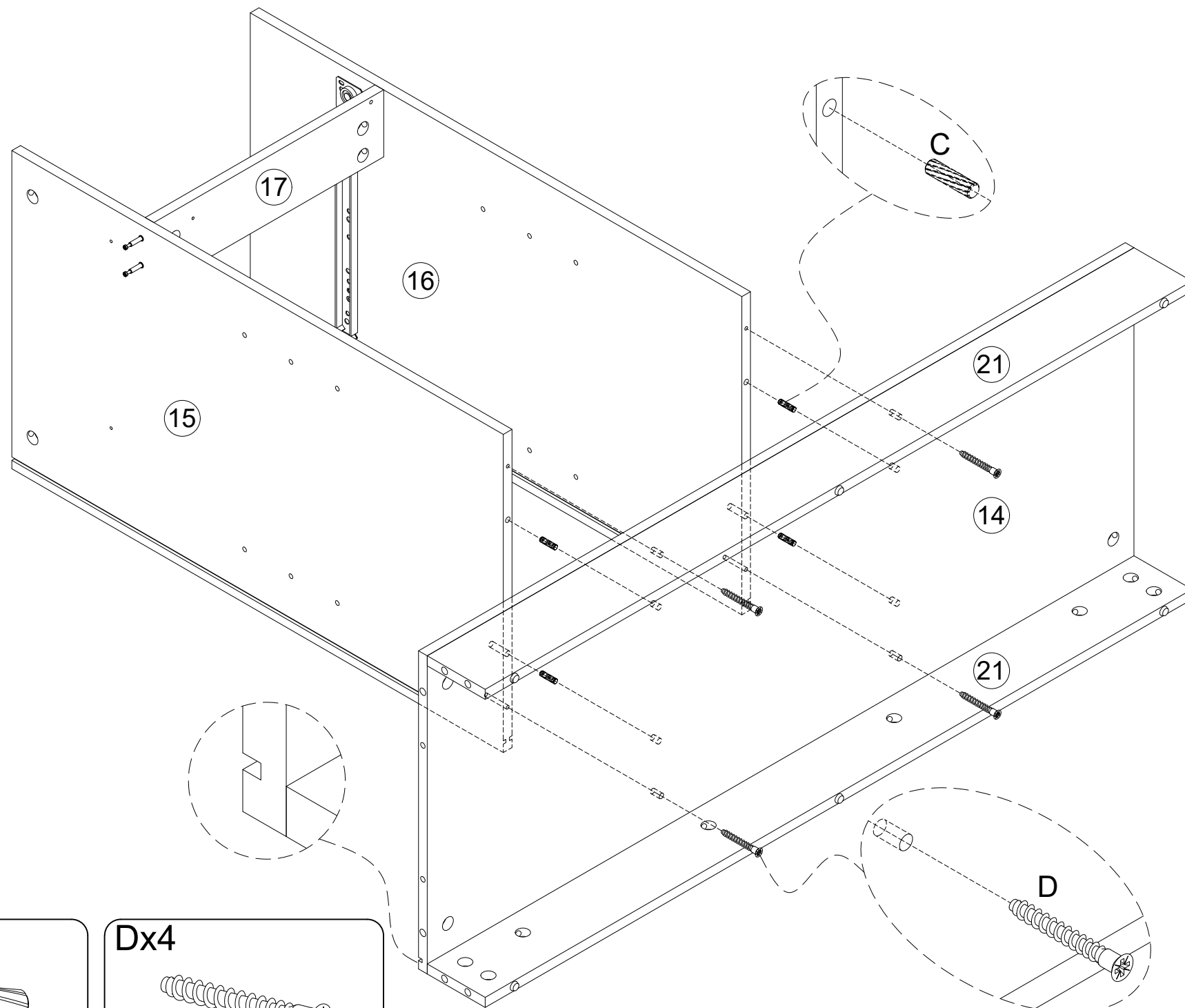


Ax4



Bx4

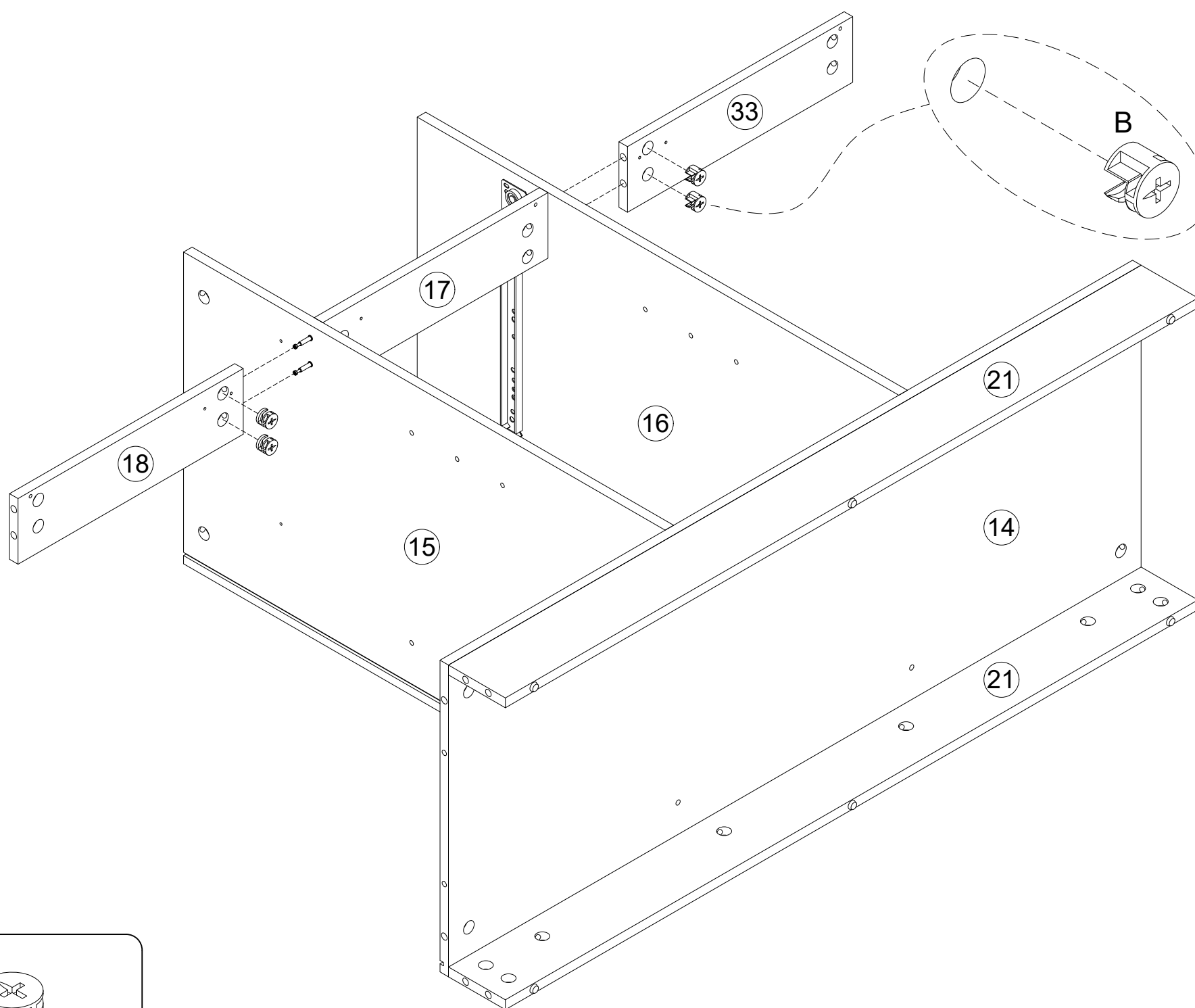
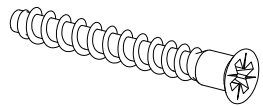




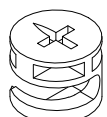
Cx4

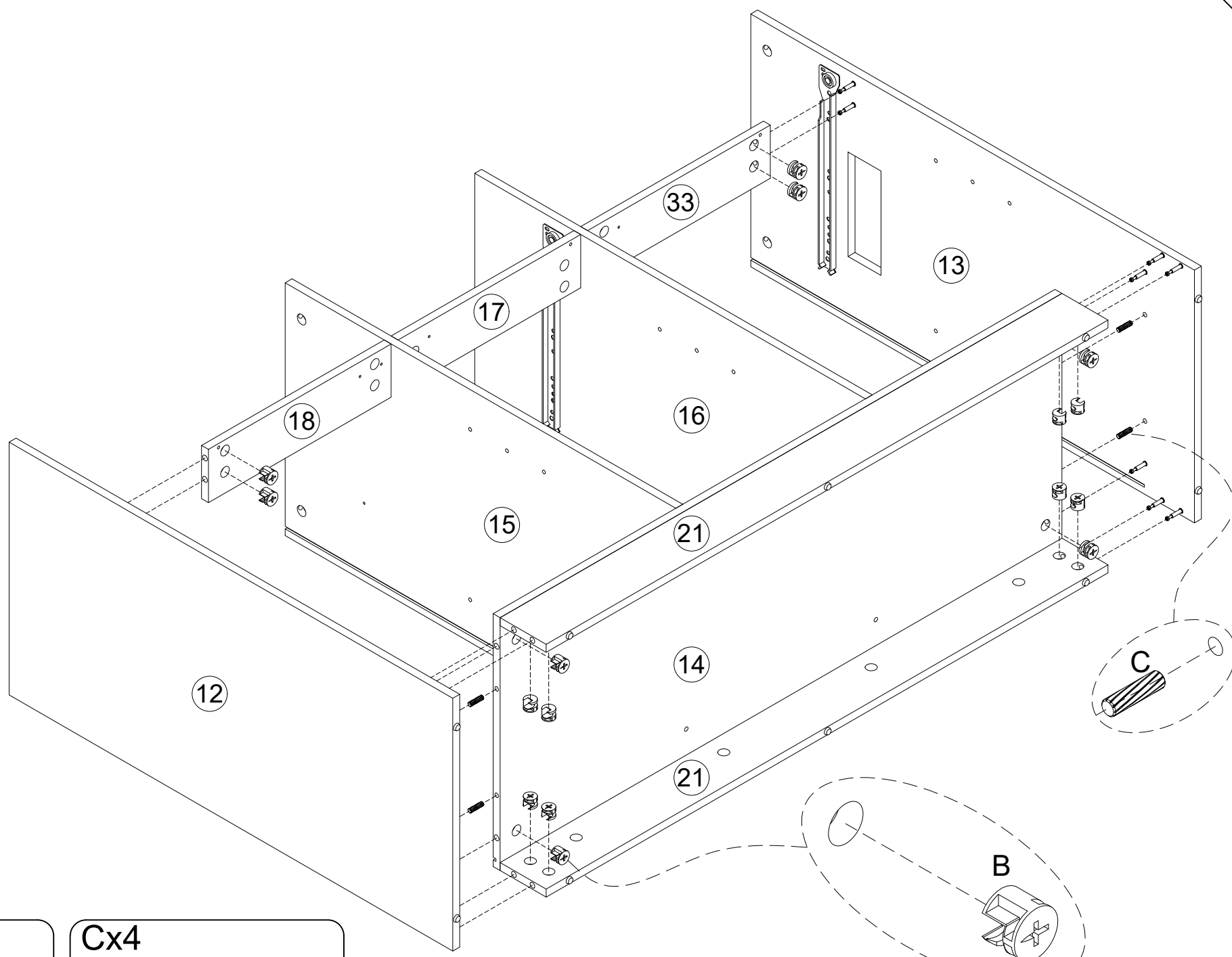


Dx4



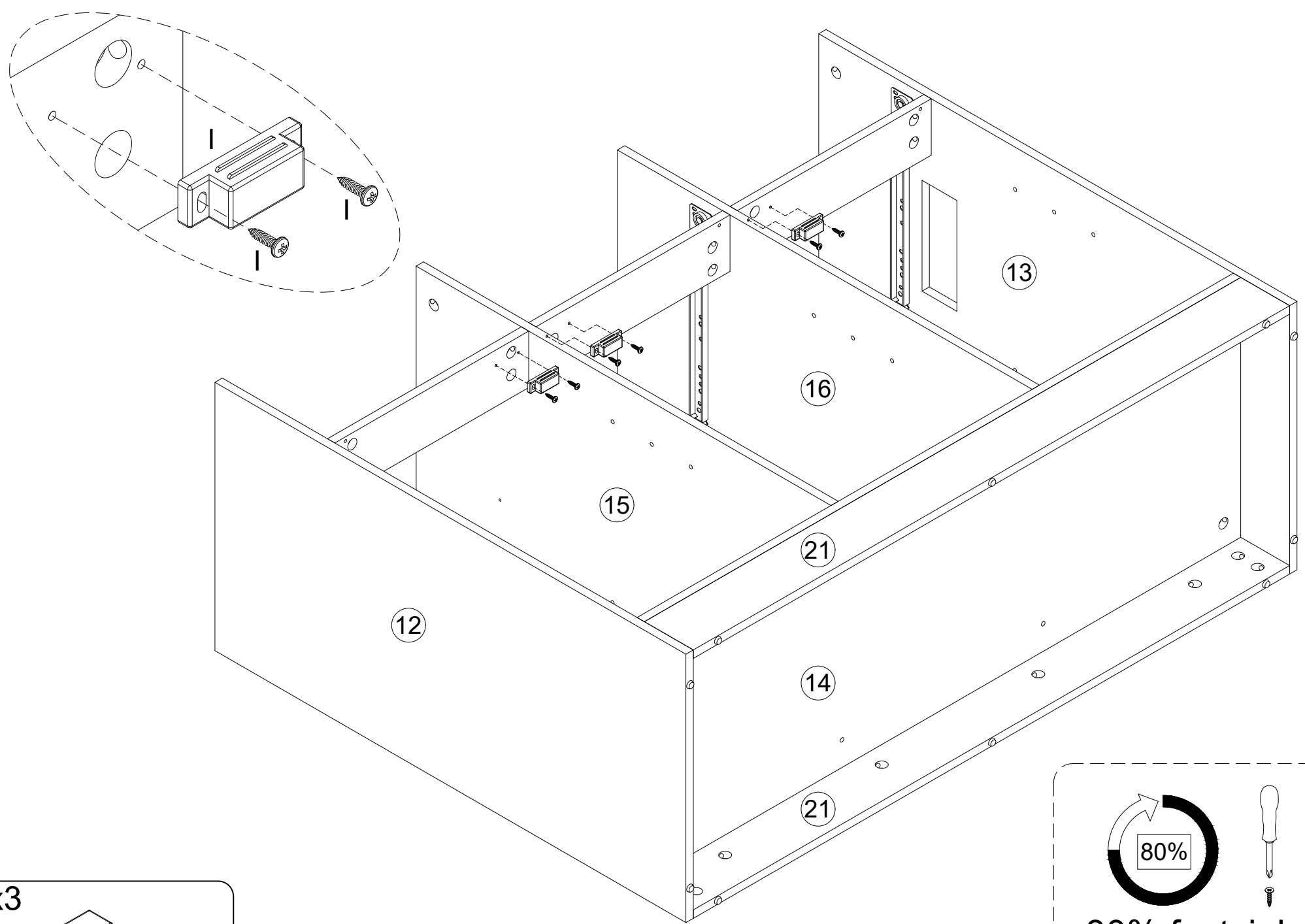
Bx4





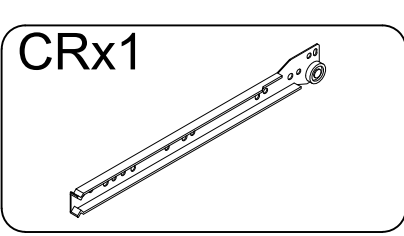
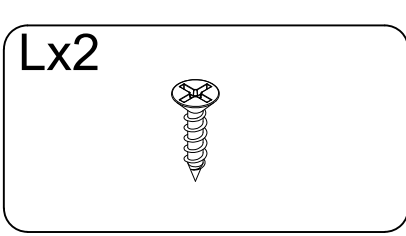
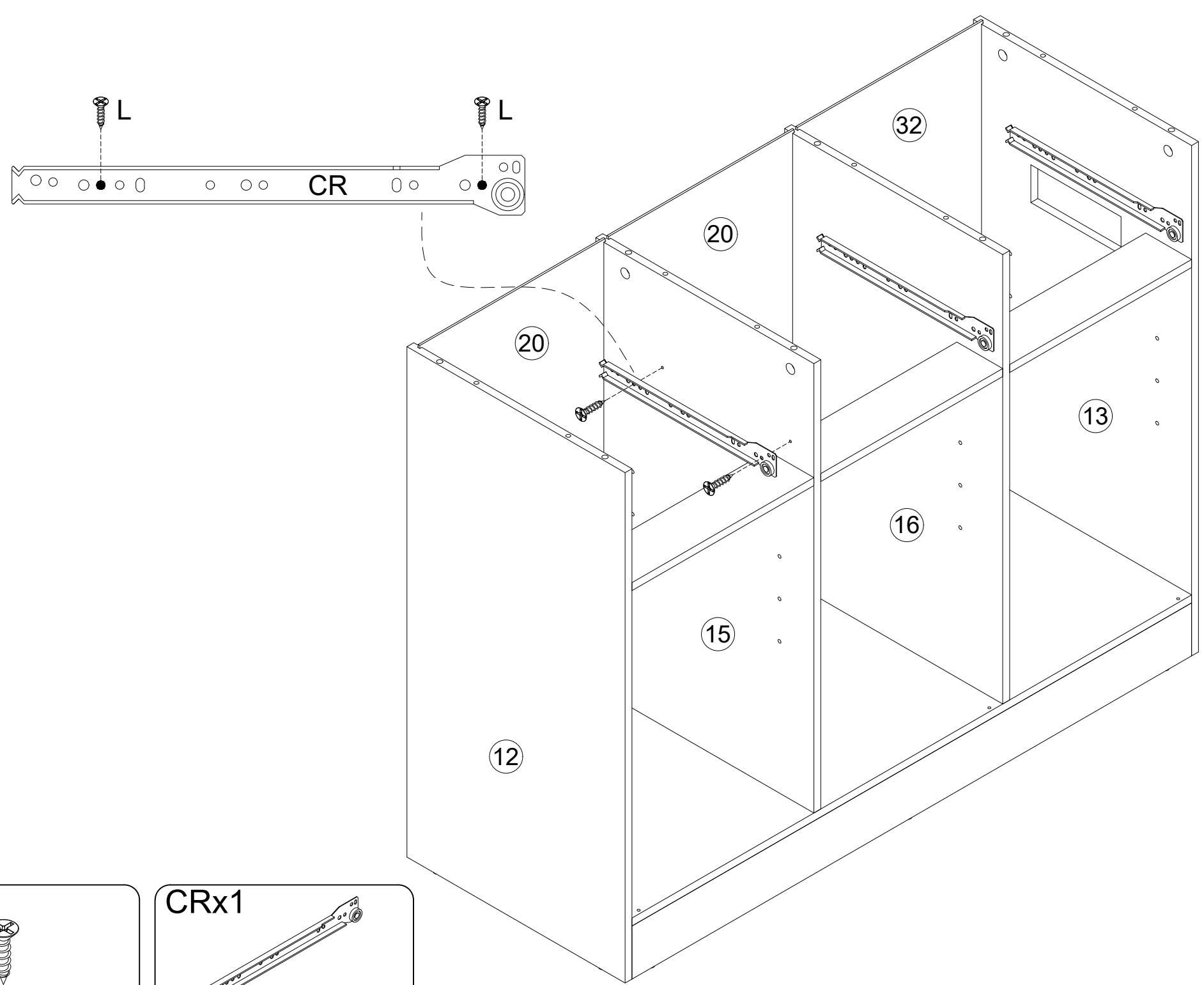
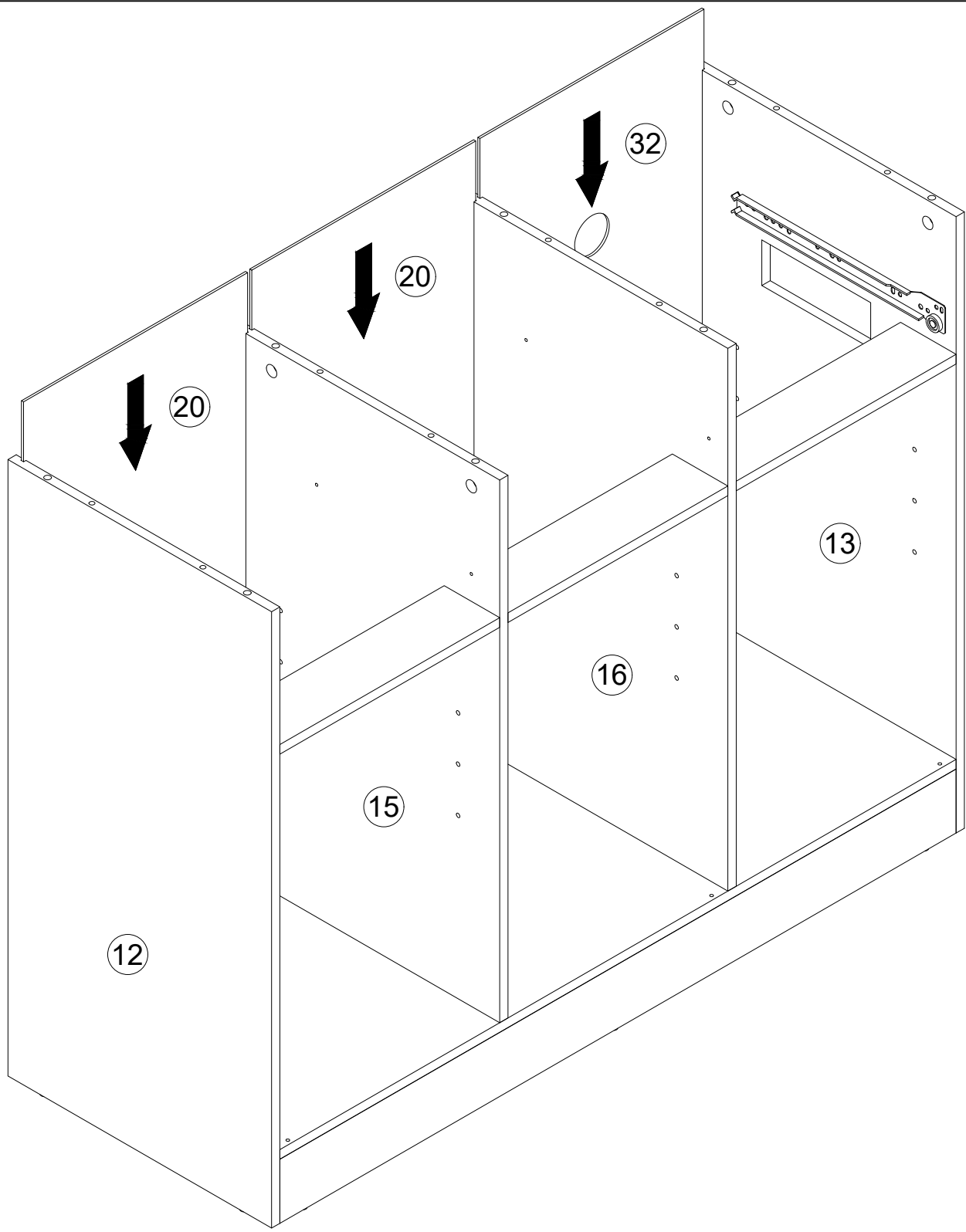
Bx16

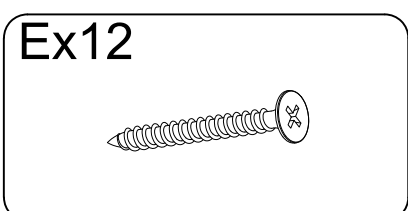
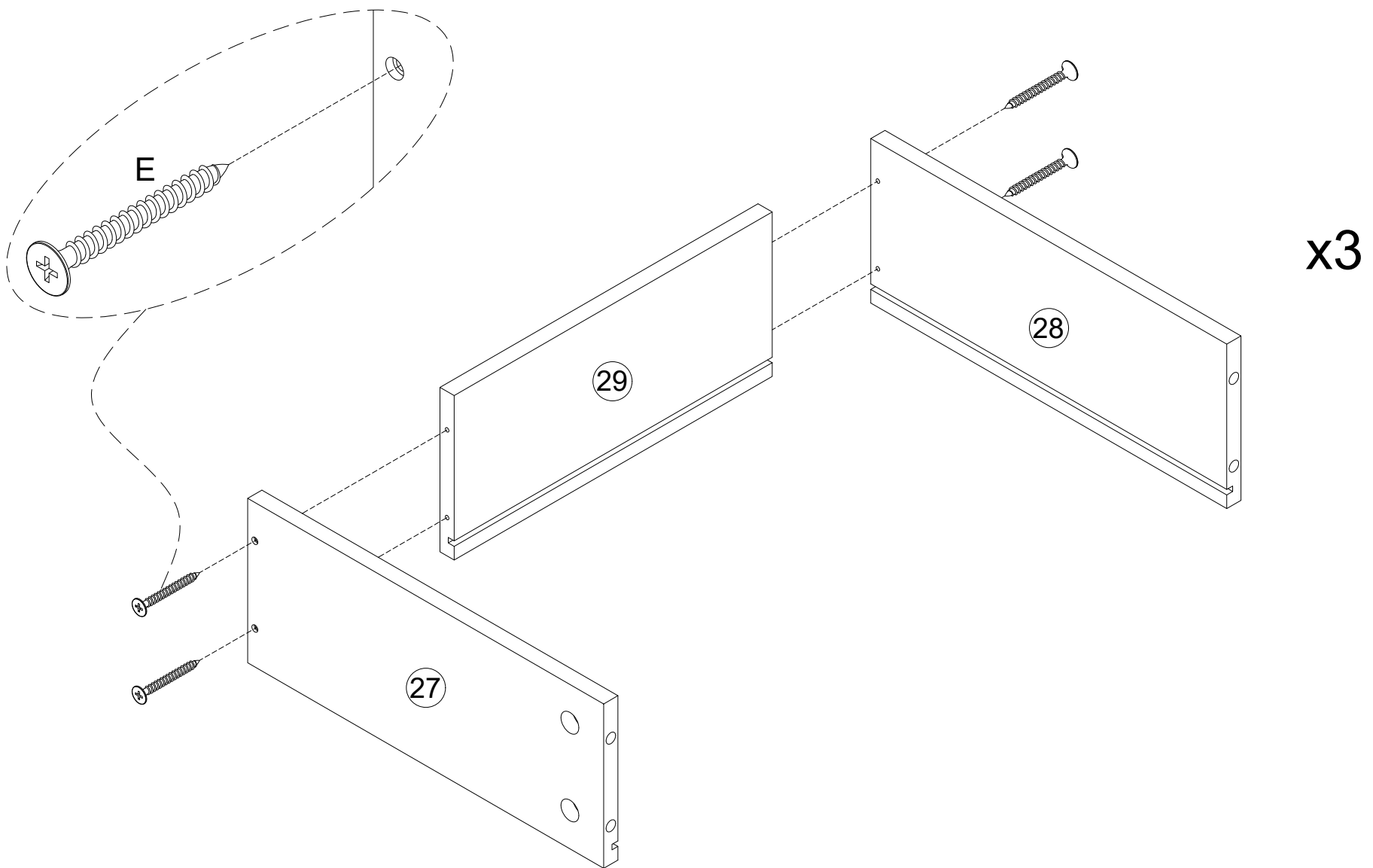
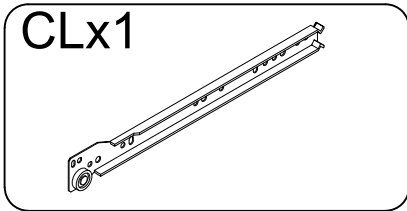
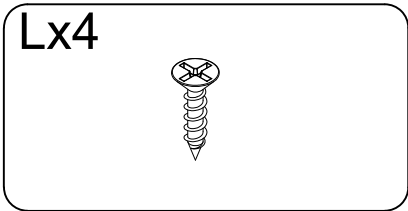
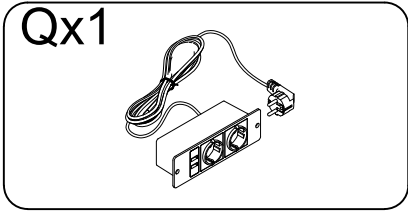
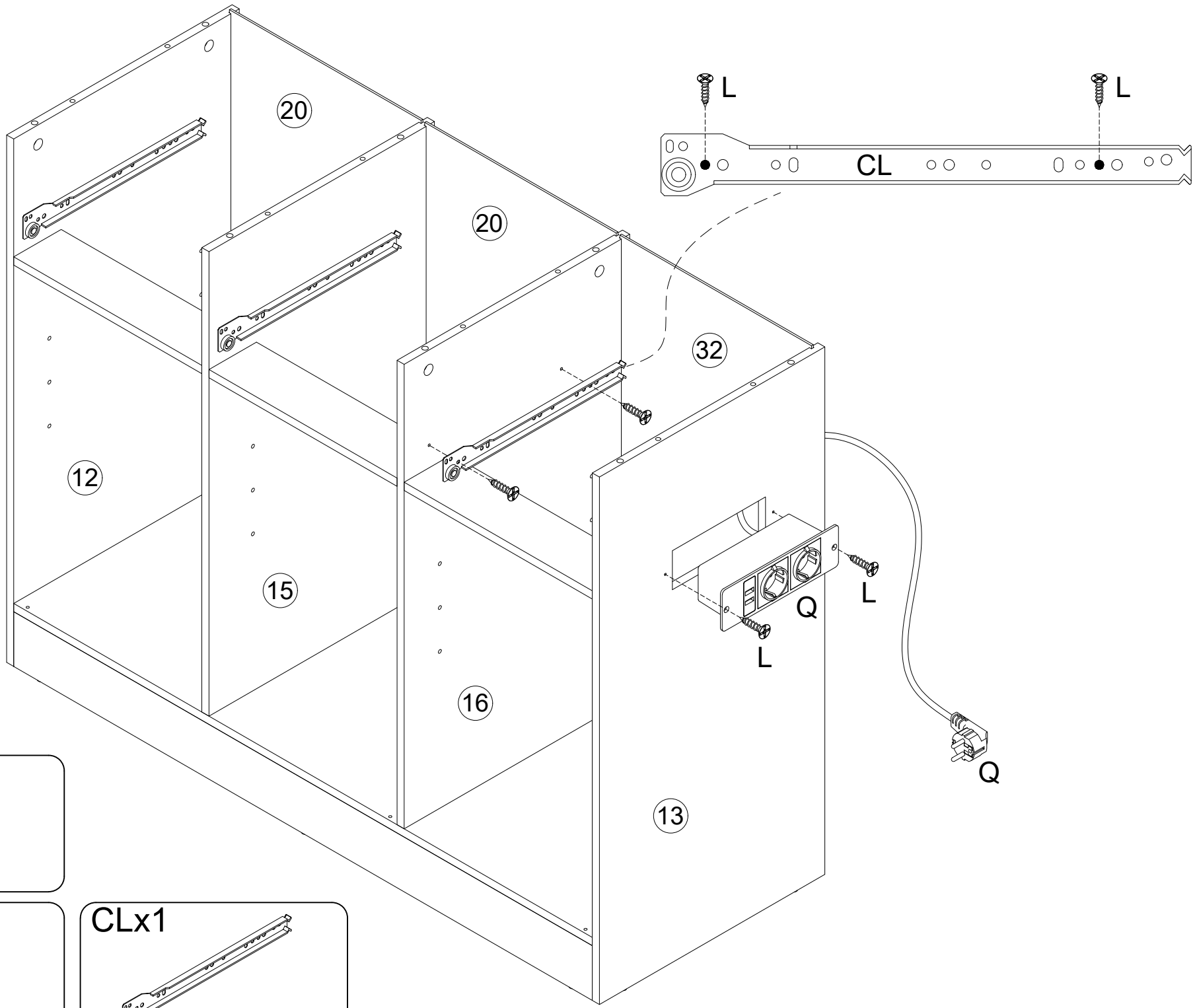
Cx4

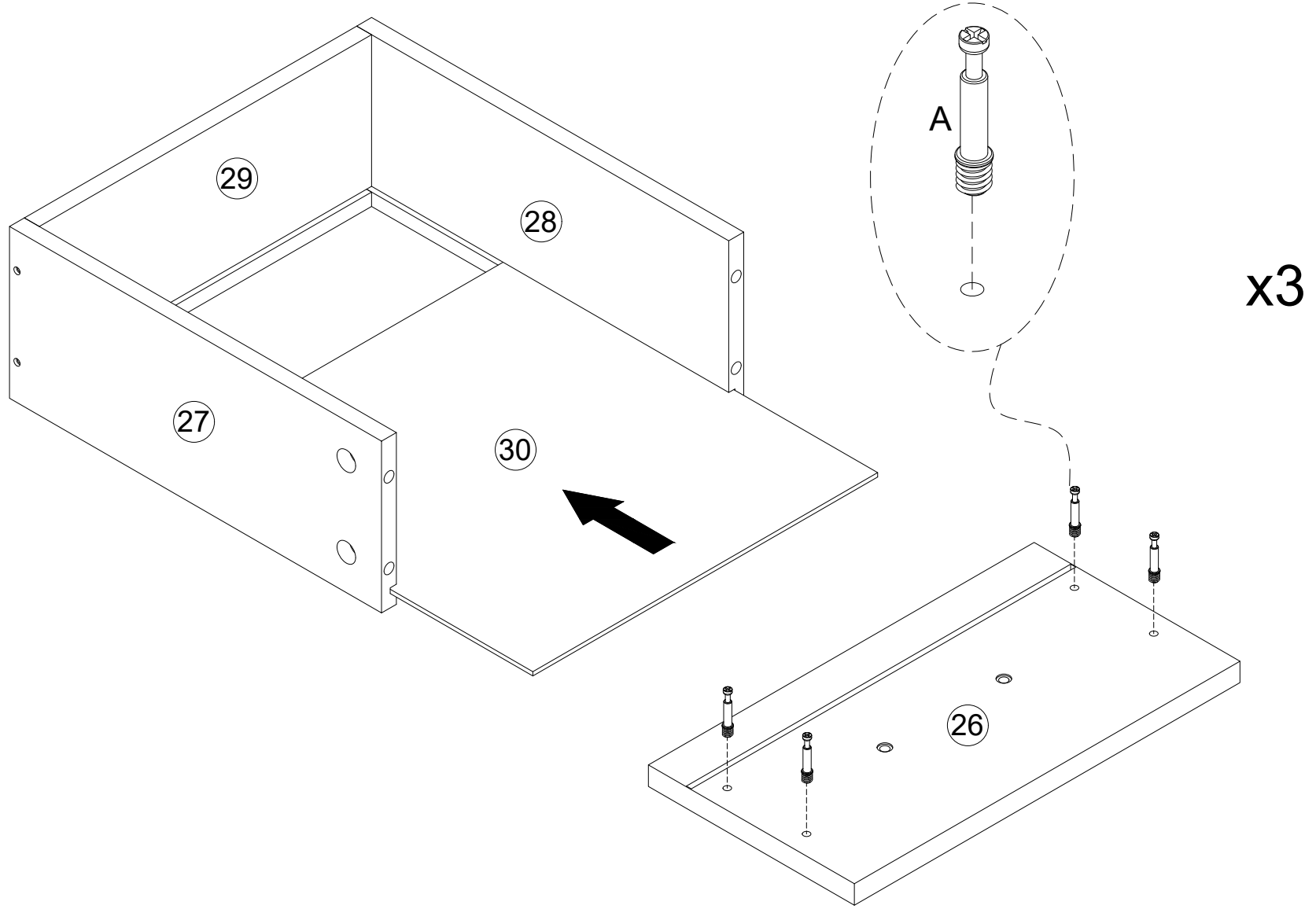


Ix3

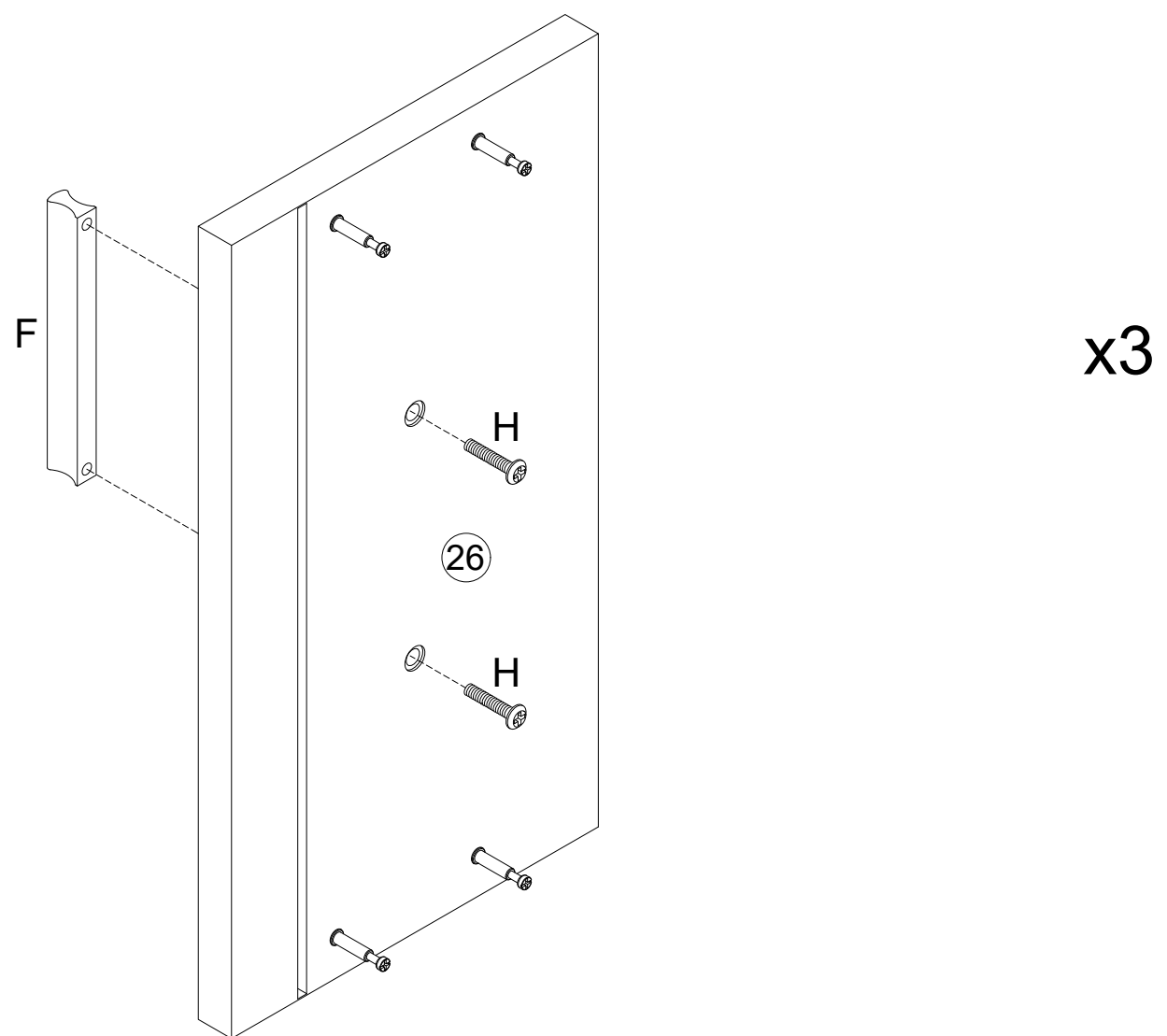
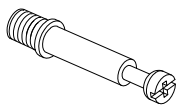
80% festziehen







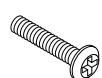
Ax12

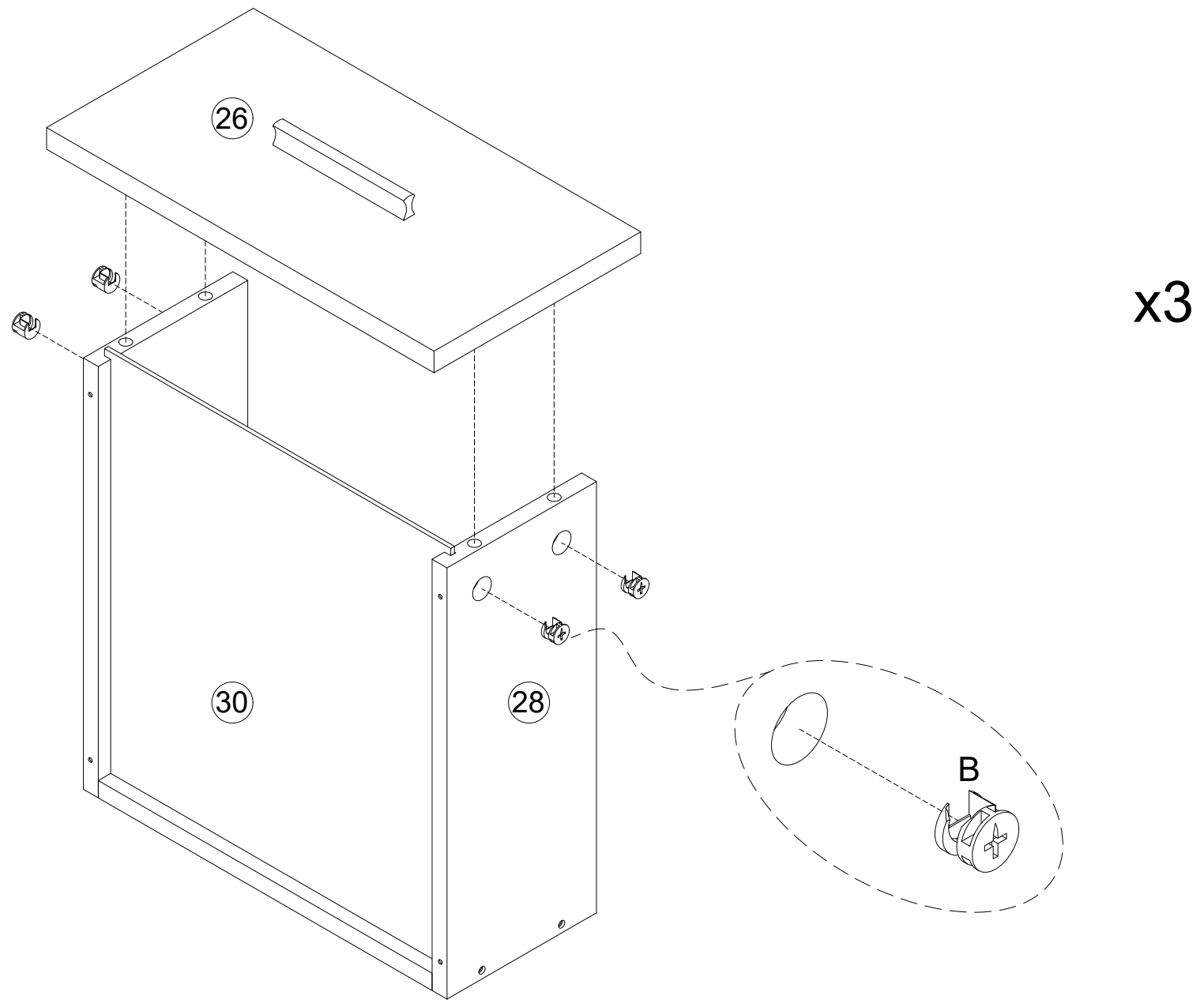


Fx3

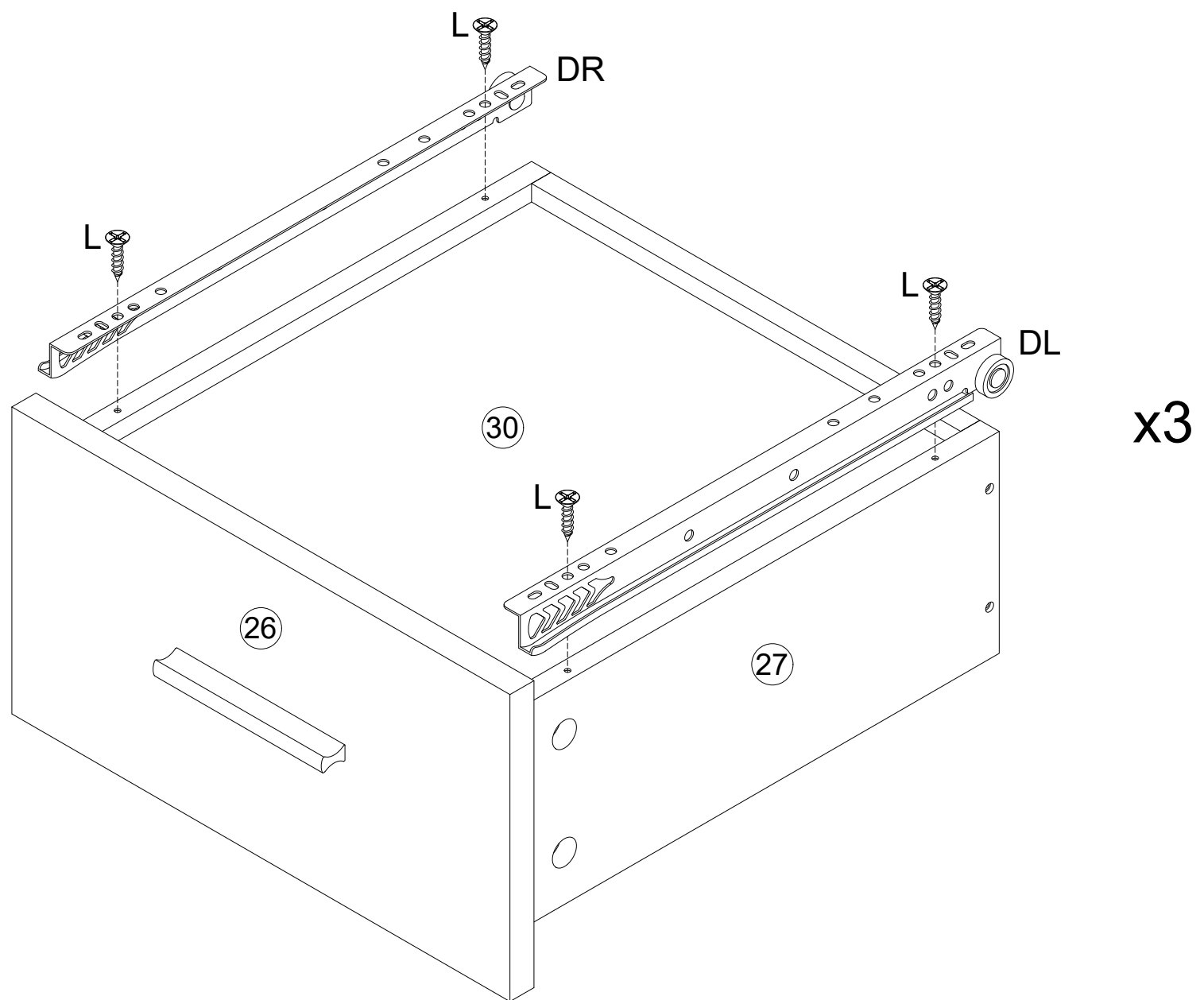
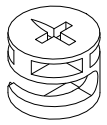


Hx6





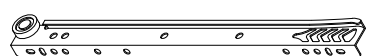
Bx12



Lx12



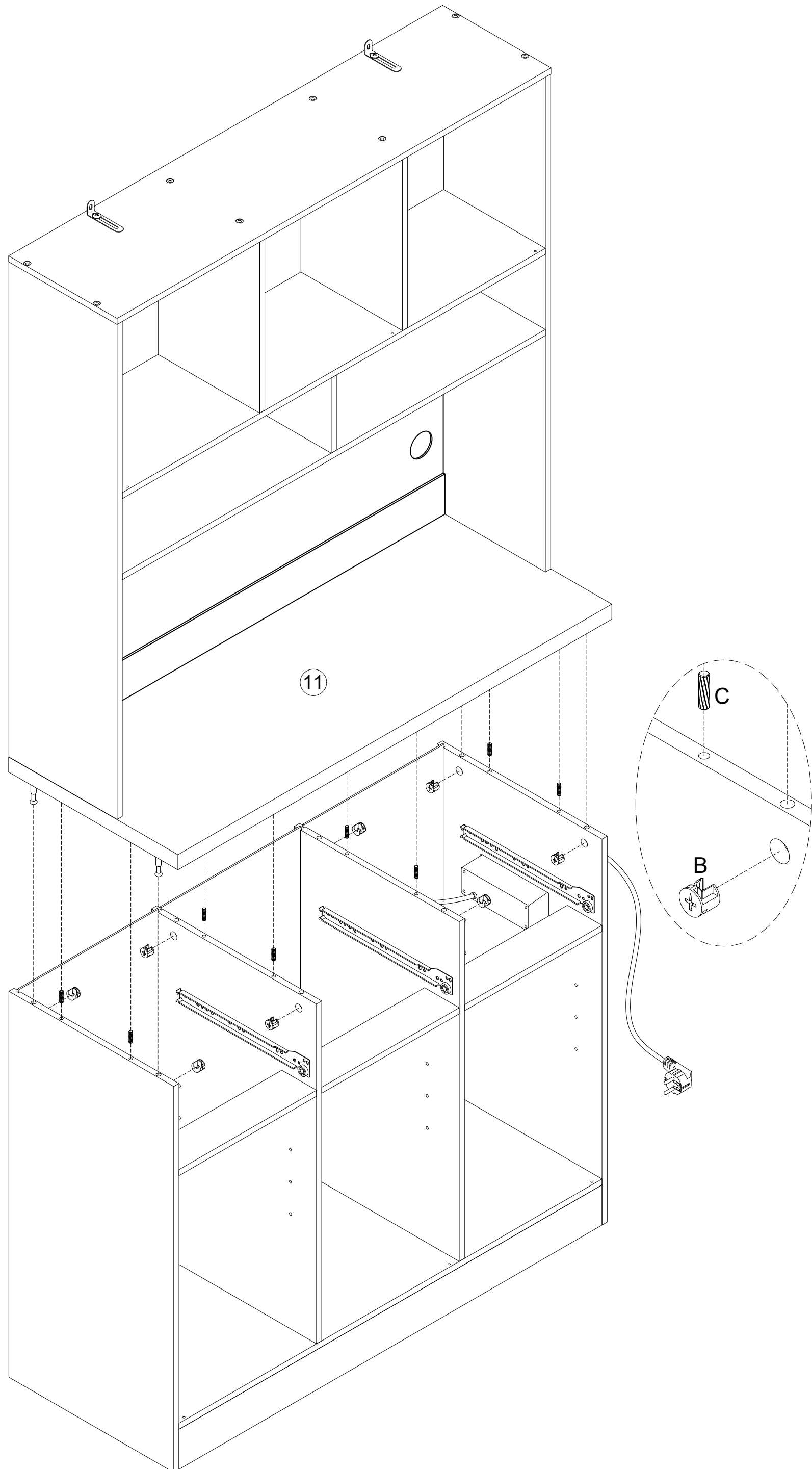
DLx3



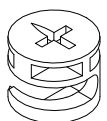
DRx3



Note: This installation step requires 2 or more people to install



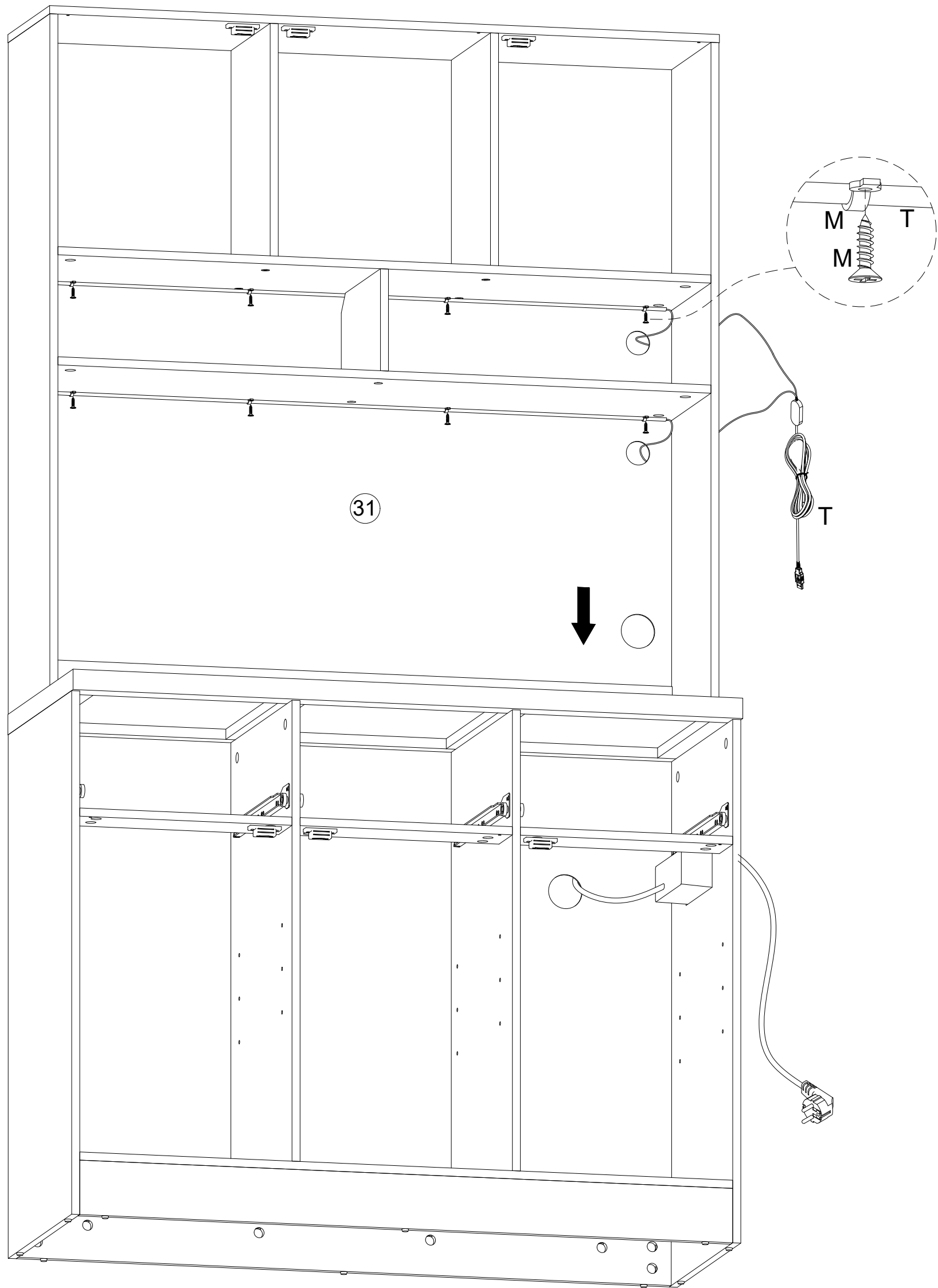
Bx8



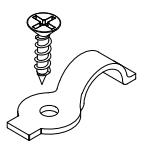
Cx8



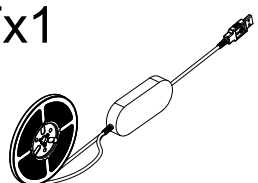
Note: There are many nuts, so pay attention to aligning the holes when installing the top plate. Also, make sure the nuts are facing upwards to facilitate accurate insertion of the screws.

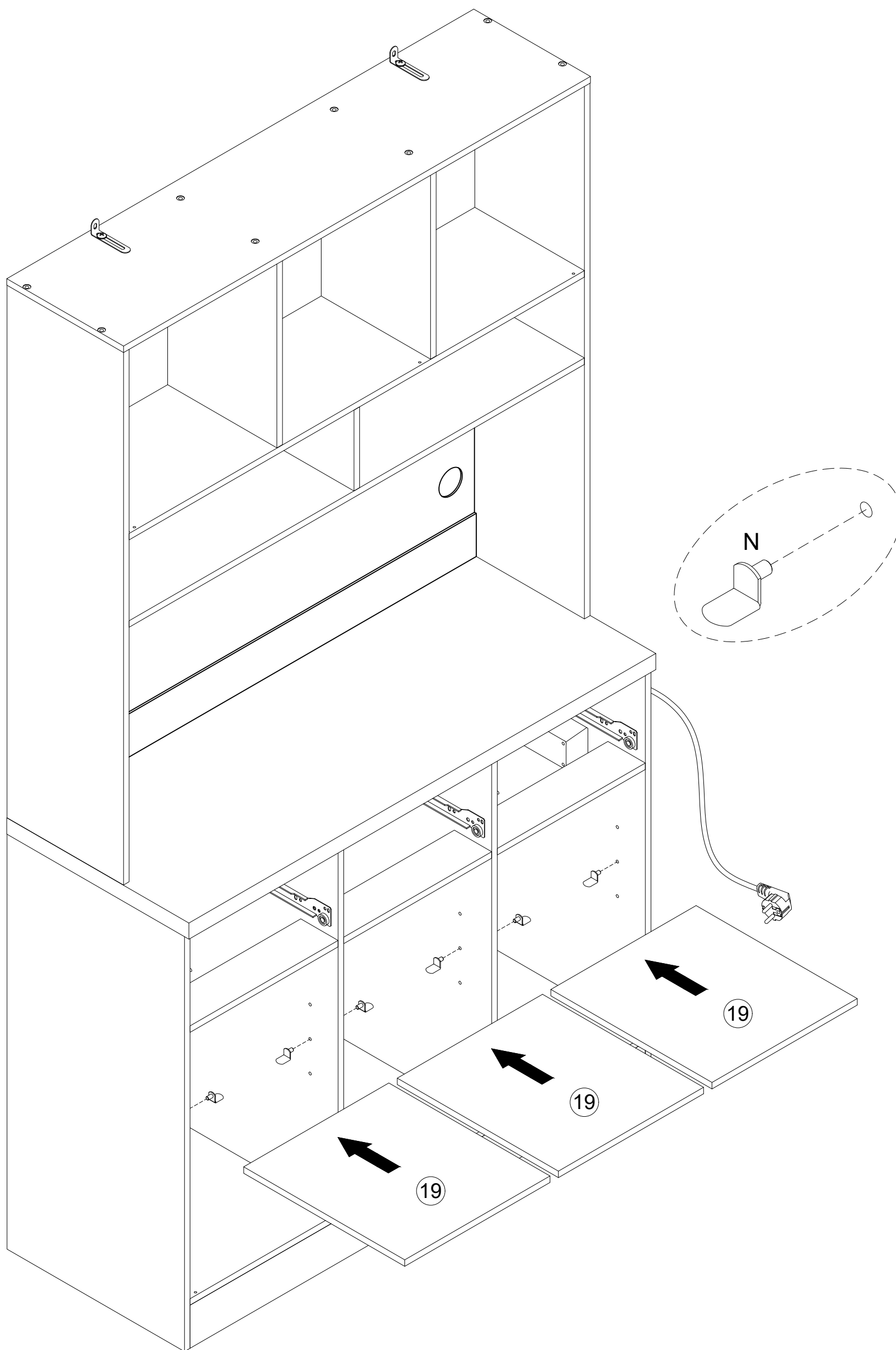


Mx8

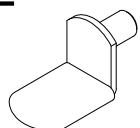


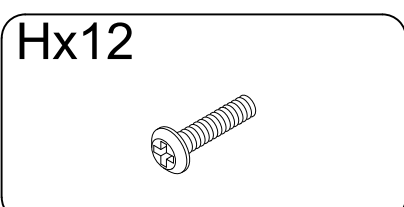
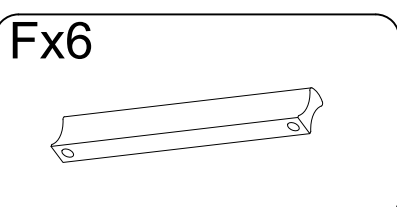
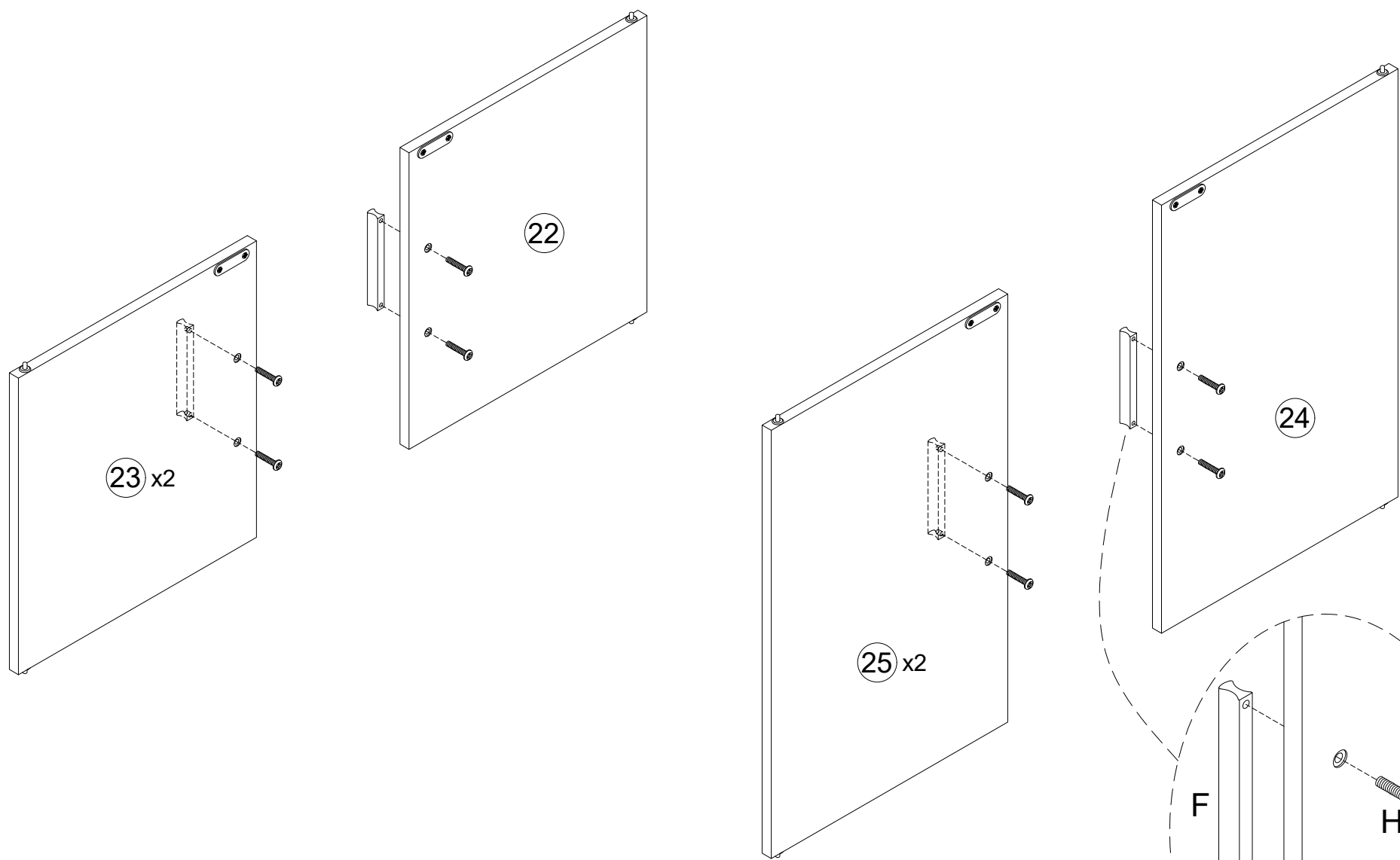
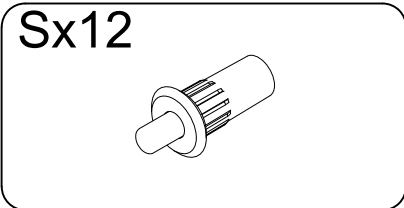
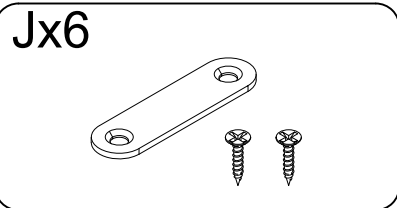
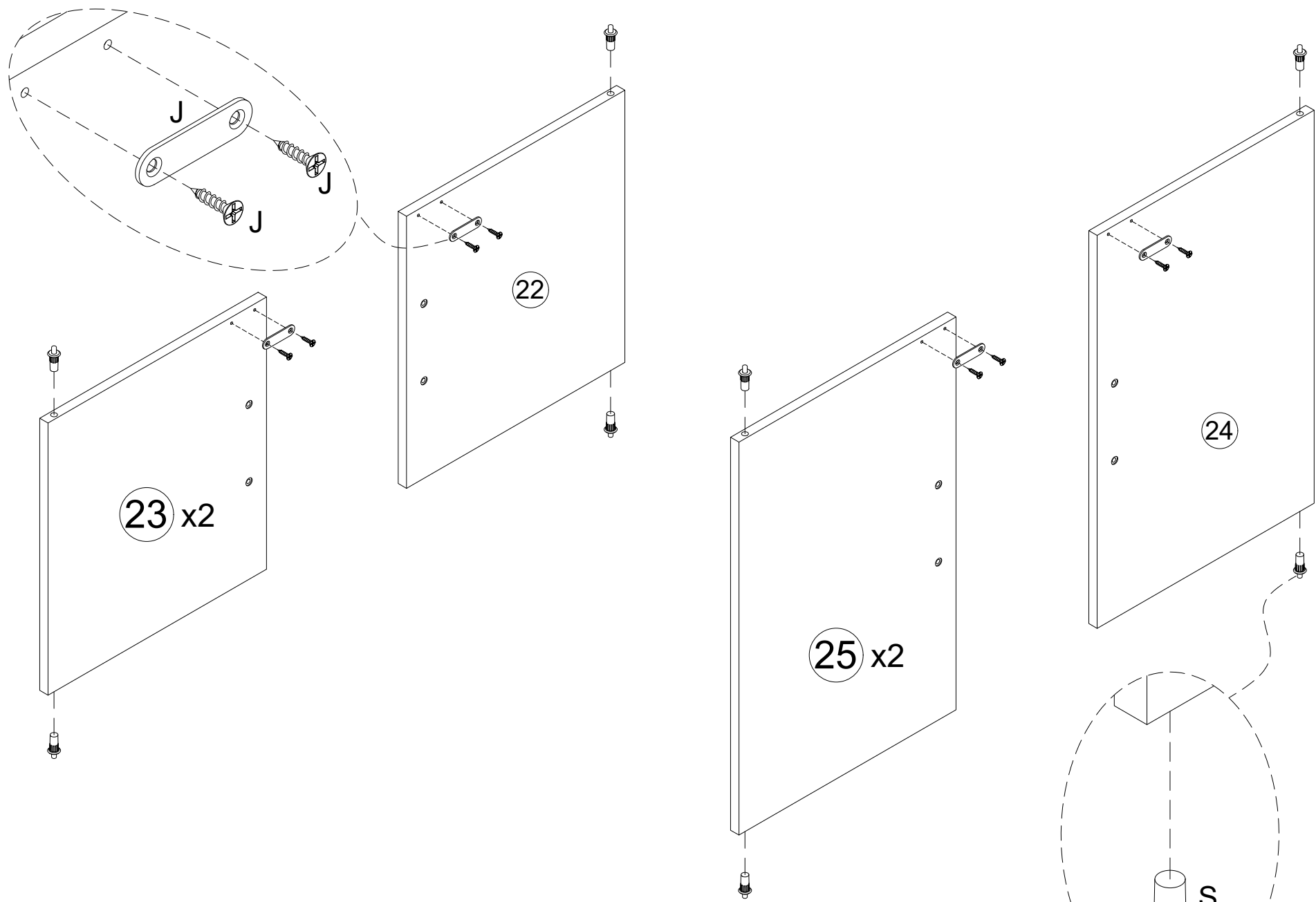
Tx1

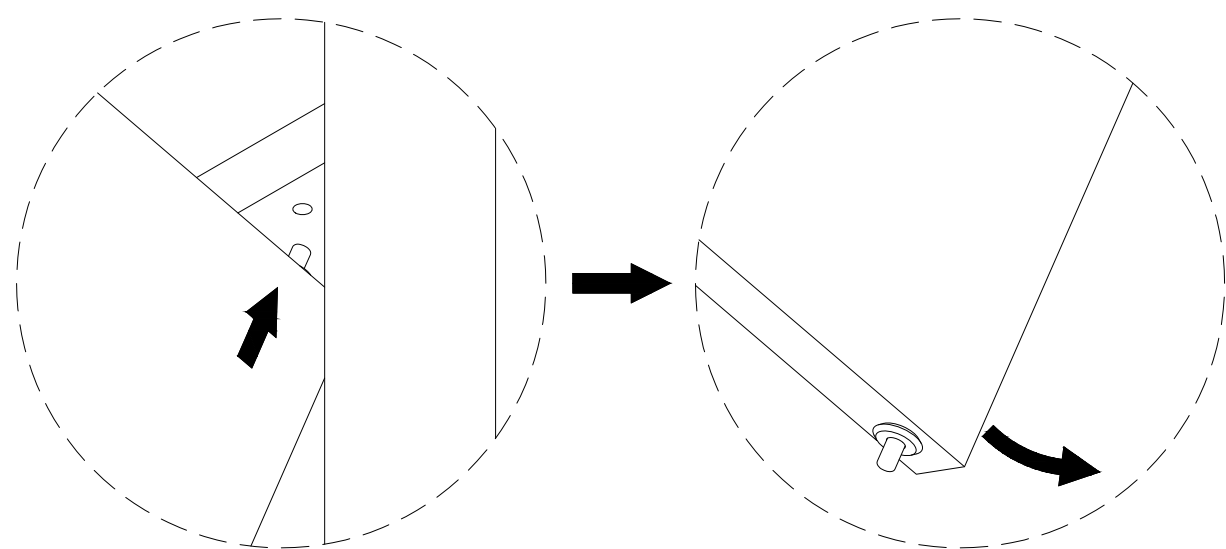




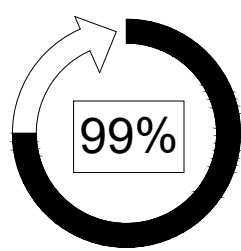
Nx12



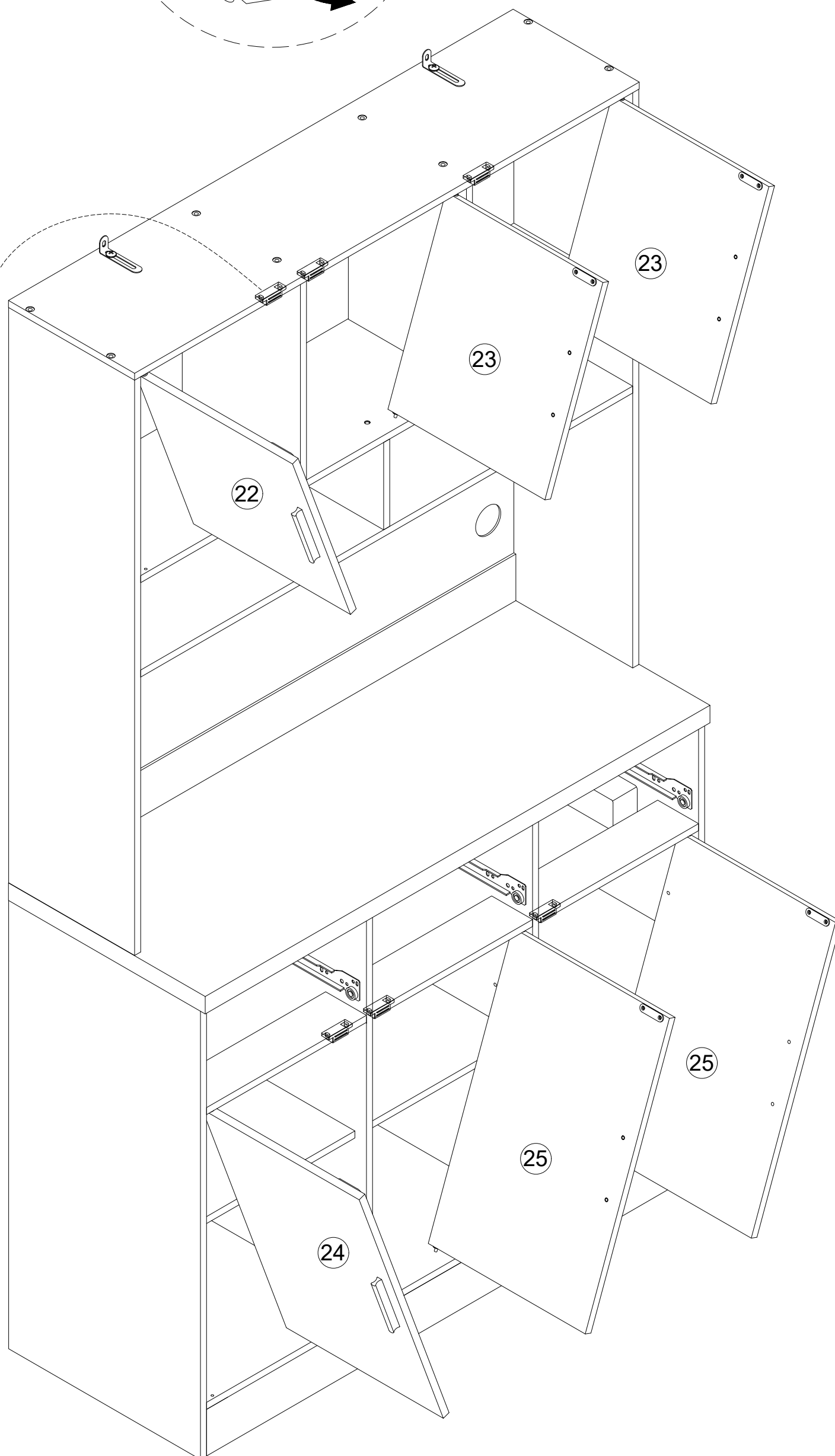


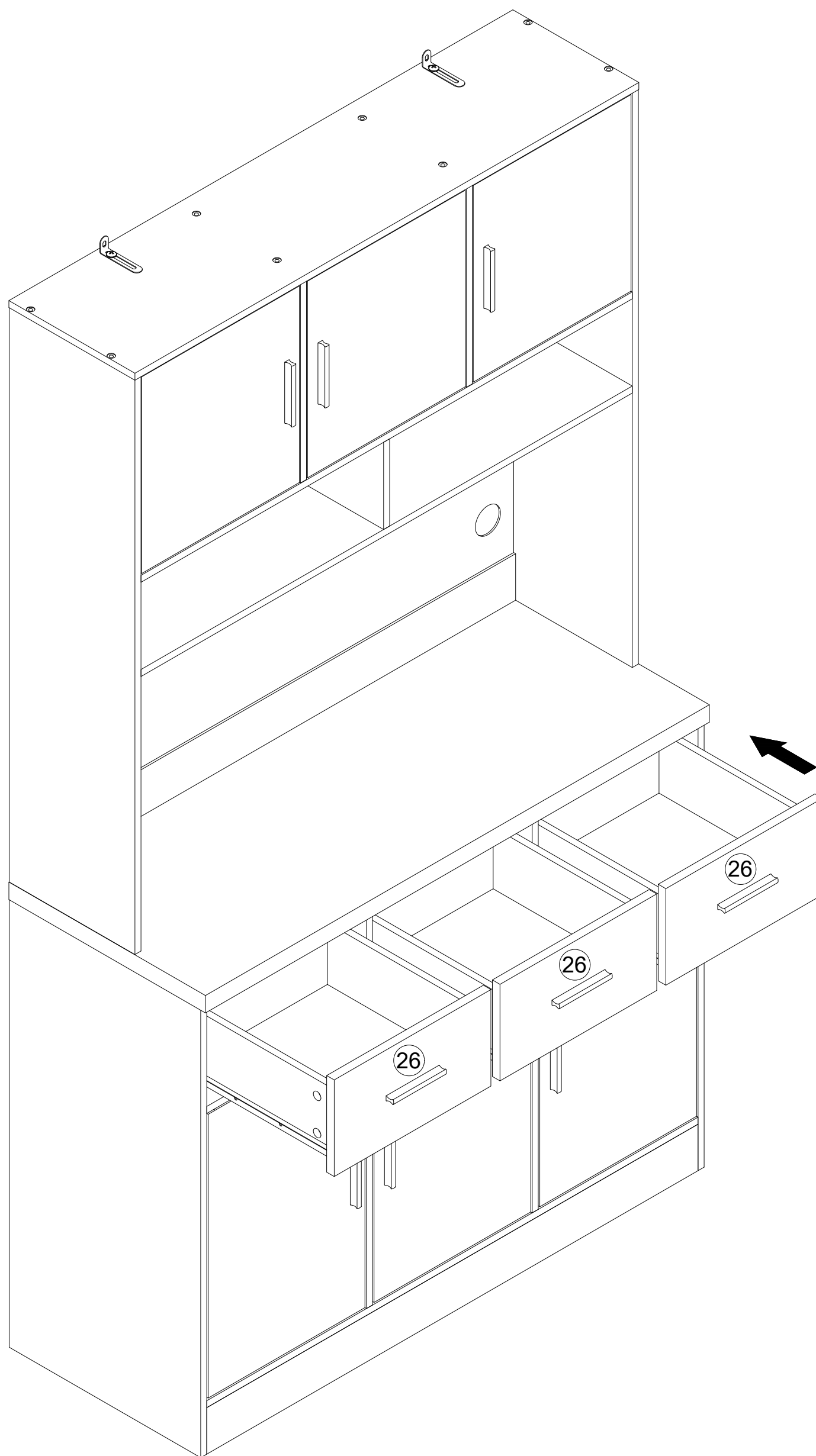


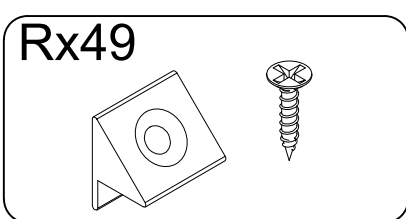
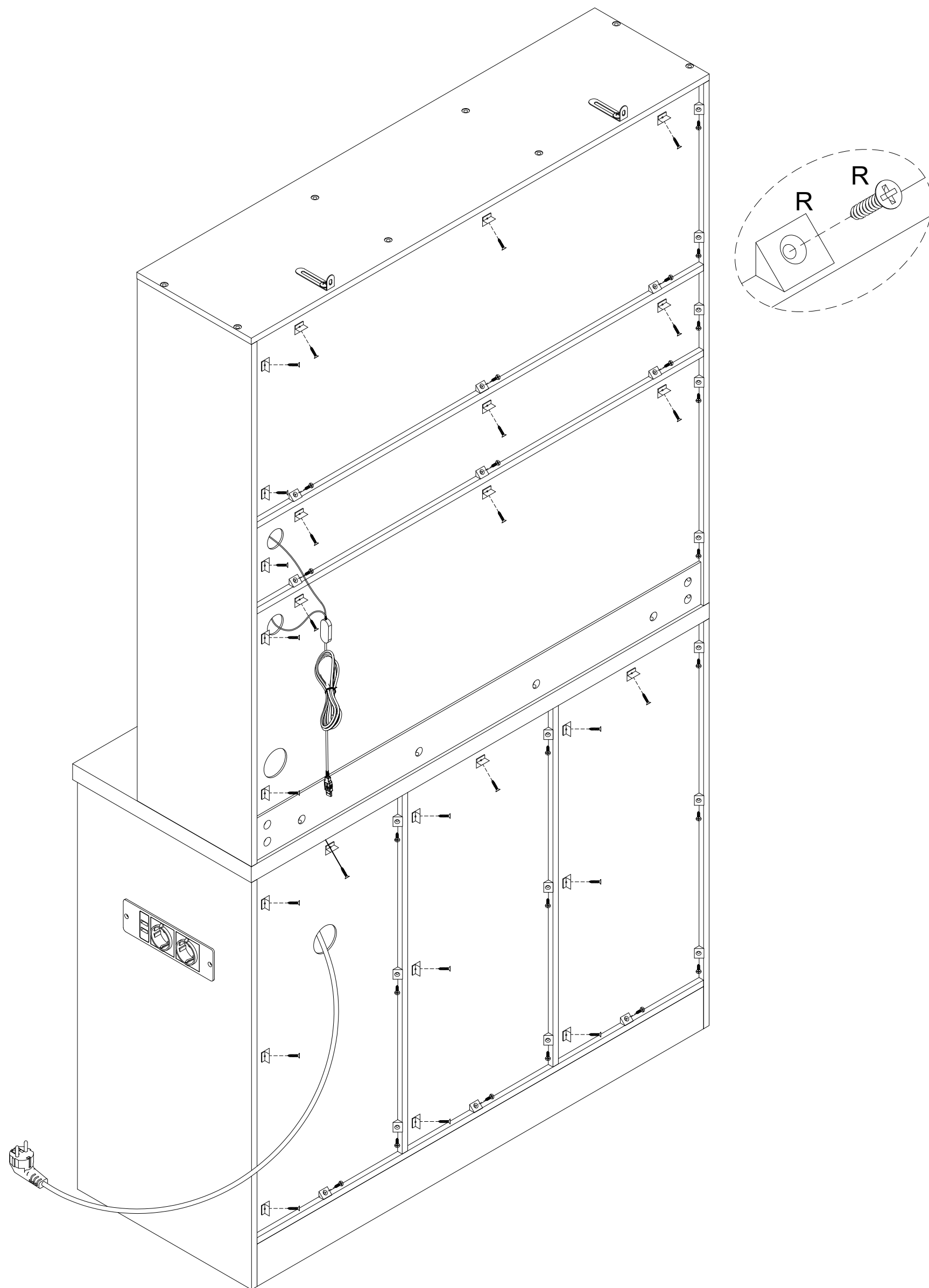
Install the door first, then adjust the suction position of the door, so that the door is level with the front, and finally lock the screw of the door suction **I** to 99%

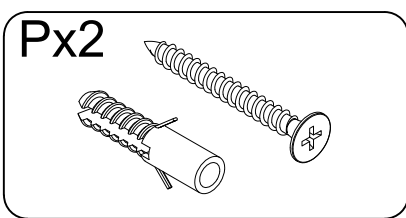
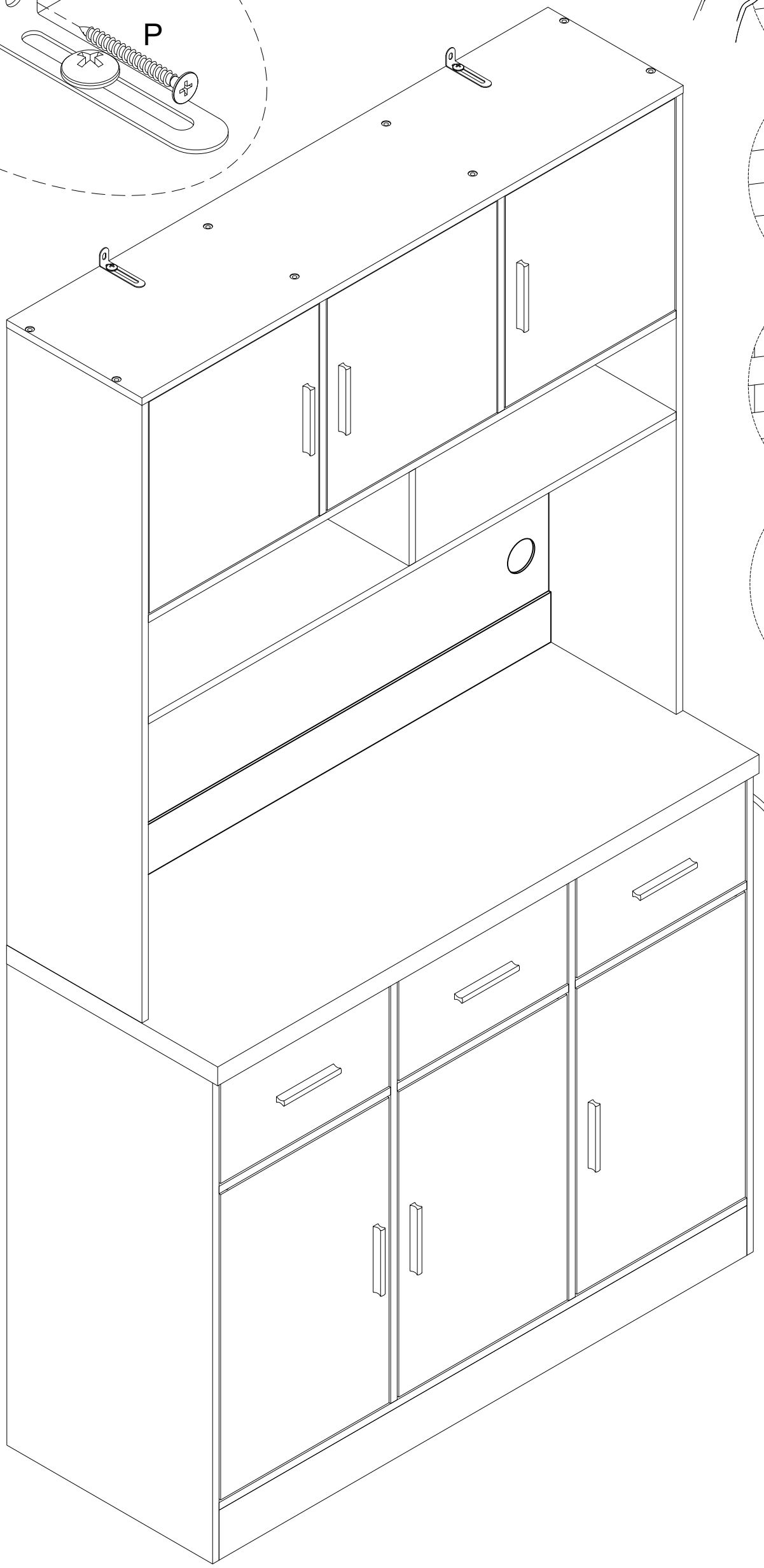
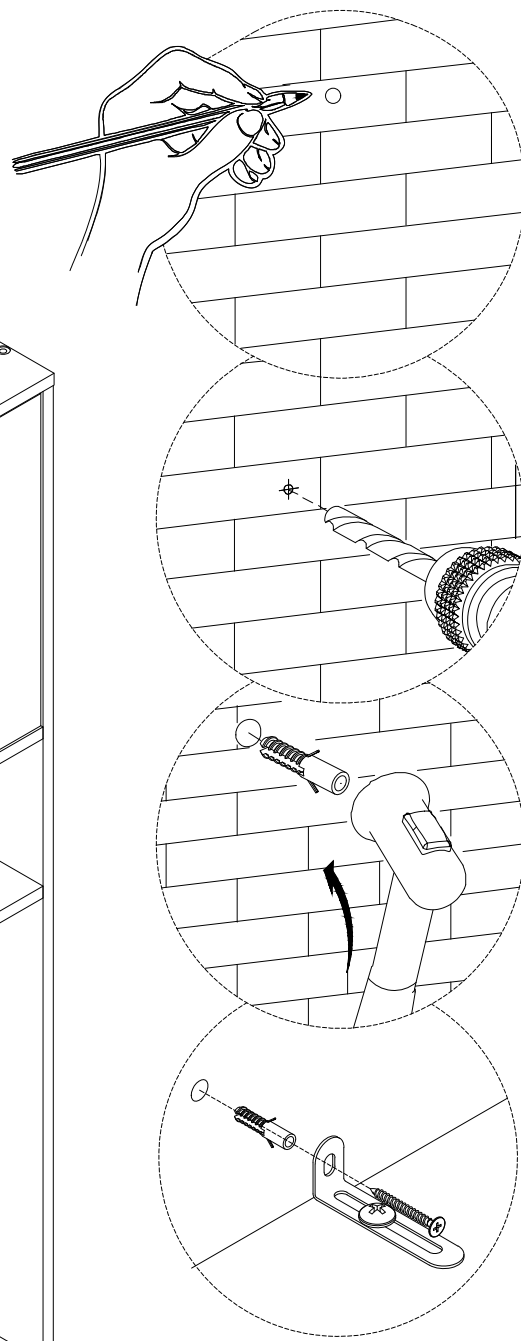
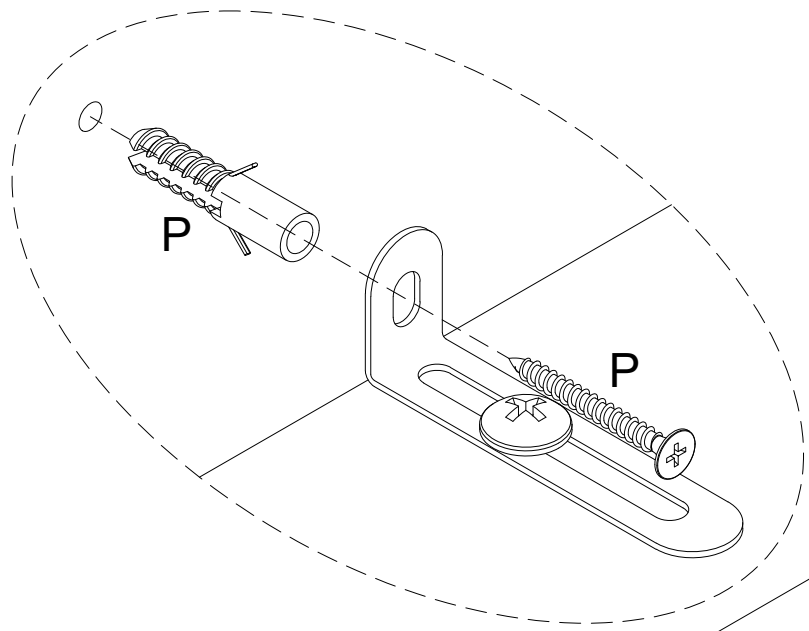


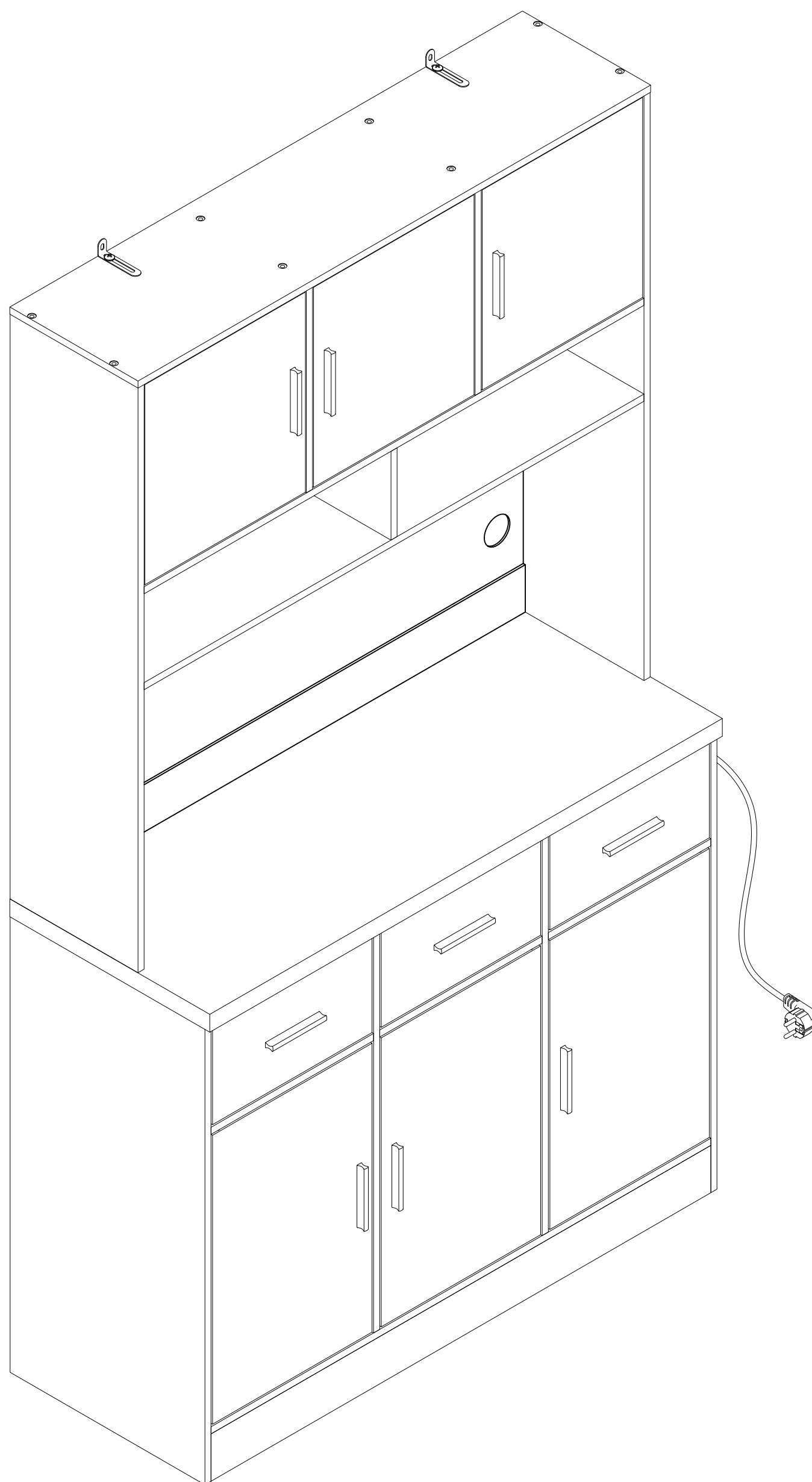
99% festziehen

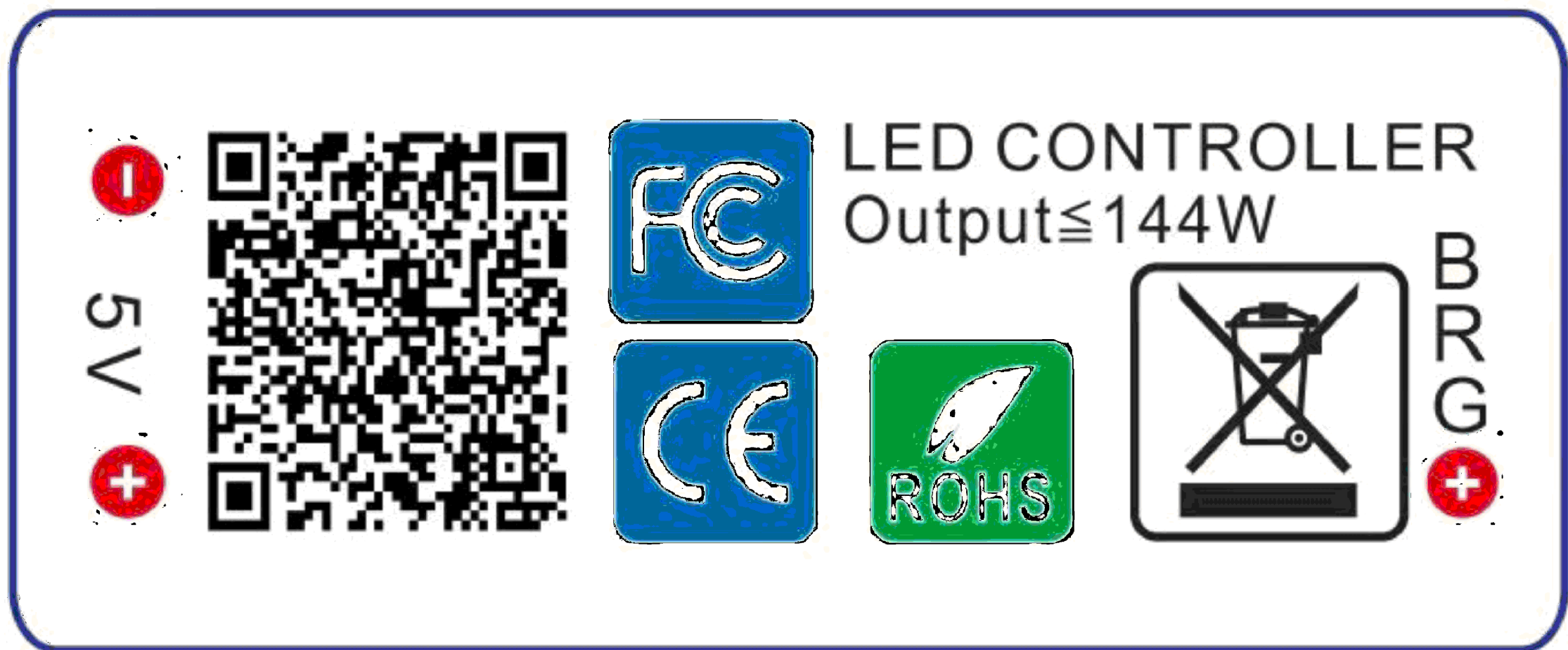












## LotusLantern APP Manual

### 1. Software Overview

#### 1.1 Overview

LotusLantern is a mobile APP to control LED strip by both IOS and Android phones.

The traditional control ways like infrared, 433MHz, 2.4GHz and others old wired ways will be replaced by mobile phone control way with convenient, powerful and scalable features.

Through this mobile APP , you can not only control the color, brightness and color temperature of the LED strips but also set up all kinds of fancy flash mode ; Also this APP can change the light of the LED strip according to the rhythm of the music. This APP can set and control several LED strips through Bluetooth and the operation is very simple, easy to learn and easy to use.

#### 1.2 Features

- Adjust color LED strips with 60,000 colors to change color and brightness and adjust monochrome LED strips to change brightness and color temperature
- Play music or turn on a sound playback device, you can let the light change the color and brightness with the rhythm of music, the music rhythm beautiful
- Inside multiple setting mode for color change and control LED strips without mobile
- Long distance control with omni-directional antenna, and many-to-many group control mode
- Once the connection is successful, connect automatically next time

#### 1.3 Performance

LotusLantern APP is easy for use as well as great compatible with all kinds of smart phones; After the actual test of hundreds of mobile phones verification, the compatibility is above 95% of mobile phones in the market. APP is small and convenient, it consumes less system resources, so the requirements of the mobile configuration are low. Control delay is small, the operation feels good, light control is smooth with people's visual sense.

### 2. Operating Environment

This APP program requires phones of system above Andriod 4.3 and iOS 8.0. Mobile phone configuration is not limited.

### 3. Instructions

Note: Android version and iOS version download and use the same method, here in the Android version as an example.

#### 3.1 APP Download

Scan the QR code

iOS and Android systems can download the "LotusLantern" APP by scanning the QR code. Open the browser or other tools with "Scan QR code" function, scan the "LotusLantern" QR code as below:



**经续检验**

SLG-CPC Testlaboratory

**SLG-CPC Testlaboratory Dongguan Co., Ltd.**

## **VERIFICATION OF CONFORMITY**

**No.: 24050295C-C**

This verification is issued for

**GUANG TAI ENTERPRISE CO LTD**

**Rm 402, Bldg 4, No.2 Dapianmei Rd., Dapianmei Village, Dalingshan, DONGGUAN, Guangdong, China**

The product with designation of type

**Furniture Power Distribution Unit**

**Trade Mark: N/A**

**Model/s: JN00-00-02K; JN00-00-02KM; JN00-00-03K; JN00-00-03KM; JN00-00-04; JN00-00-04K; JN00-00-04KM; JN02-00-21; JN02-00-22; JN02-00-22M; JN02-00-23; JN02-00-23K; JN02-00-23M; JN02-00-23KM; JN02-00-24K; JN02-00-24; JN02-00-24M; JN02-00-24KM**

This is to declare that the technical file of the products complies the essential requirements of below European Directives:

**Low Voltage Directive 2014/35/EU;**

Reference standards:

**IEC 60884-2-7:2011+ AMD1:2013**

**IEC 60884-1:2002 + AMD1:2006**

**IEC 62368-1:2018 (EN IEC 62368-1:2020 + A11:2020)**

This verification is based on the following file

**90340-24-70-24-PP001**

And is valid only if the product is manufactured in accordance with the corresponding tested sample.

This verification is the result of tests carried out on one sample and does not represent the serial production of this product.

The CE mark as show can be used, under the responsibility of the manufacturer, after completion of an EC Declaration of Conformity and compliance with all relevant EC Directives.

This verification of conformity loses its validity in the following cases:

- if the reference standards and/or EC Directives are modified;
- if any modifications are made to the model/s without our approval.



2024-05-11

(Date)

Owen Zhan  
Technical Director

Shenzhen ZKT Technology Co., Ltd.

1/F, No. 101, Building B, No. 6, Tangwei Community Industrial Avenue,  
Fuhai Street, Bao'an District, Shenzhen, China



# Certificate of Compliance

Certificate Number: ZKT-2403202772C

**Certificate's Holder** : Shenzhen Pinchengxin Technology Co., Ltd  
3rd Floor, 8th Building Yuanling Industrial Zone, No. 39  
Yuanlingcun Road, Shiyan Street, Bao'an District,  
Shenzhen

**Manufacturer** : Shenzhen Pinchengxin Technology Co., Ltd  
3rd Floor, 8th Building Yuanling Industrial Zone, No. 39  
Yuanlingcun Road, Shiyan Street, Bao'an District,  
Shenzhen

**Trade Mark** : N/A

**Product** : 5050 RGB LED Strip Lights with Bluetooth App Controller  
and 2.4G Remote

**Model(s)** : 5050 RGB LED Strip Lights

**Test Standard** : Art.3.1(a) Safety EN IEC 62368-1:2020+A11:2020

Art.3.1(a) Health EN IEC 62311:2020  
EN 50665:2017

Art.3.1(b) EMC ETSI EN 301 489-1 V2.2.3 (2019-11)  
ETSI EN 301 489-17 V3.2.4 (2020-09)

Art.3.2 Radio ETSI EN 300 328 V2.2.2 (2019-07)

This Attestation of Compliance is issued on a voluntary basis for electrical equipment below the voltage limits of Radio Equipment Directive (RED) 2014/53/EU. The essential requirements are fulfilled accordingly based on the technical specifications applicable at the time of issuance.



This Certificate of Conformity is based on single evaluation of the submitted sample(s) of the above mentioned product. It does not imply an assessment of the whole product and relevant Directives to be observed.