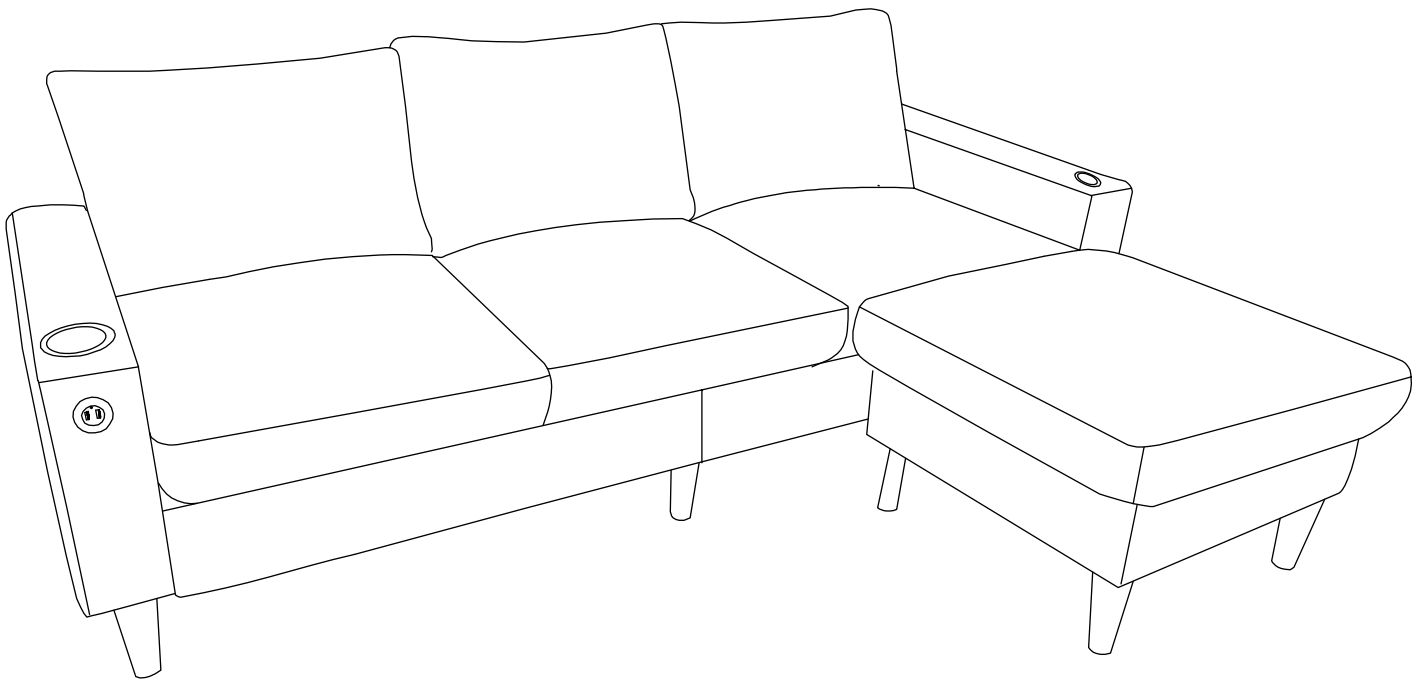


N625P251439/N625P251440 N605P247099/N605P247100

Product manual
Gebrauchsanweisung
Manuel du produit
Manual del producto
Manuale del prodotto





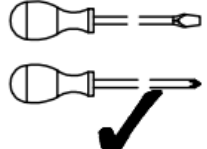
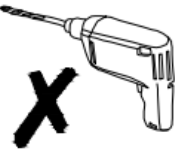
EN:Our product will be delivered to you in 2 packages.
The delivery times of these 2 packages may differ, please be patient and thank you for your understanding

FR:Notre produit vous sera livré en 2 colis. Les délais de livraison de ces 2 colis peuvent différer, soyez patient et merci de votre compréhension.

DE:Unser Produkt wird Ihnen in 2 Paketen geliefert. Die Lieferzeiten dieser 2 Pakete können abweichen, bitte haben Sie etwas Geduld und vielen Dank für Ihr Verständnis

IT:I nostri prodotti vengono trasportati in due pacchetti. I tempi di consegna dei due pacchetti sono diversi: abbiate pazienza e vi ringrazio per la vostra comprensione.

ES:Nuestro producto se entrega en dos paquetes. El tiempo de entrega de estos dos paquetes es diferente. Por favor, sea paciente. Gracias por su comprensión.

 2PERS	 45 MIN	Tool Required Not Provided	
			



[DE]

Warnung: Lesen Sie diese Anleitung vor dem Zusammenbau bitte vollständig durch. Überprüfen Sie, ob Sie alle auf den Seiten aufgeführten Komponenten und Werkzeuge haben. Bewahren Sie die Anleitung zum späteren Nachschlagen auf. Teile des Zusammenbaus lassen sich mit 2 Personen leichter durchführen. Suchen Sie bei Bedarf professionelle Hilfe.

Warnung: Legen Sie alle Teile auf eine ebene Fläche. Legen Sie eine weiche Decke oder Ähnliches darunter, um sie vor Kratzern oder Flecken zu schützen. Vermeiden Sie es, Komponenten über den Boden zu ziehen oder zu schieben.

Warnung: Überprüfen Sie regelmäßig alle Beschläge und Befestigungen, um sicherzustellen, dass sie sicher sind und um Unfälle zu vermeiden. Wenn Teile fehlen, kaputt, beschädigt oder abgenutzt sind, verwenden Sie das Produkt nicht weiter, bis Reparaturen mit vom Hersteller autorisierten Teilen durchgeführt wurden.

Warnung: Stellen Sie Möbel nicht in die Nähe von Feuerquellen oder Gegenständen mit hohen Temperaturen, um Brandgefahr zu vermeiden. Stellen Sie Möbel nicht in feuchte Umgebungen, um Materialschäden zu vermeiden.

Warnung: Reinigen Sie Möbel mit einem feuchten Tuch oder Alkohol, vermeiden Sie die Verwendung von Reinigungsmitteln mit ätzenden Chemikalien.

Warnung: Lassen Sie Kinder nicht auf die Möbel klettern, da dies zum Umkippen und zu schweren Verletzungen führen kann. Bauen Sie die Möbel außerhalb der Reichweite von Kindern zusammen.

Warnung: Schwamm und Tuch können während des Transports gequetscht und verformt werden. Machen Sie sich keine Sorgen. Nachdem Sie sie aus der Tasche genommen haben, können Sie den Schwamm leicht abtupfen, um die Wiederherstellung der Elastizität zu beschleunigen, oder ihn einige Tage liegen lassen, damit er seine ursprüngliche Elastizität wiedererlangt.

Warnung: Stoffe können in direktem Sonnenlicht verblassen oder ihre Farbe ändern. Minimieren Sie direkte Sonneneinstrahlung, um die Lebensdauer Ihrer Möbel zu verlängern.



[EN]

Warning: Please read these instructions fully before starting assembly. Check you have all the components and tools listed on pages. Keep the instructions for later reference. Parts of the assembly will be easier with 2 people. Seek professional assistance if necessary.

Warning: Please place all parts on a flat surface. Place a soft blanket or similar underneath to protect against scratches or stains. Avoid dragging or sliding components across the floor.

Warning: Regularly check all fittings and fastenings to ensure they are secure and to prevent accidents. If any parts are missing, broken, damaged, or worn, discontinue use of the product until repairs have been made using factory authorized parts.

Warning: Do not place furniture close to fire sources or high-temperature objects to avoid the risk of fire. Do not place furniture in damp environments to prevent material damage.

Warning: Clean furniture with a damp cloth or alcohol, avoid using cleaning agents containing corrosive chemicals.

Warning: Do not allow children to climb on the furniture as this may result in tipping and serious personal injury. Assemble the furniture away from the reach of children.

Warning: The sponge and cloth may be squeezed and deformed during transportation, please don't worry, after

you take it out of the bag, you can gently pat the sponge to speed up the recovery of elasticity, or leave it for a few days, it can recover to its original elasticity.

Warning: Fabrics can fade or change color in direct sunlight. Minimize direct sunlight exposure to extend the life of your furniture.



[FR]
Attention : Veuillez lire attentivement ces instructions avant de commencer l'assemblage. Vérifiez que vous disposez de tous les composants et outils répertoriés sur les pages. Conservez les instructions pour référence ultérieure. Certaines parties de l'assemblage seront plus faciles à 2 personnes. Demandez l'aide d'un professionnel si nécessaire.

Attention : Veuillez placer toutes les pièces sur une surface plane. Placez une couverture douce ou similaire en dessous pour les protéger des rayures ou des taches. Évitez de faire glisser les composants sur le sol.

Attention : Vérifiez régulièrement tous les accessoires et fixations pour vous assurer qu'ils sont bien fixés et pour éviter les accidents. Si des pièces manquent, sont cassées, endommagées ou usées, cessez d'utiliser le produit jusqu'à ce que les réparations aient été effectuées à l'aide de pièces agréées par l'usine.

Attention : Ne placez pas les meubles à proximité de sources de feu ou d'objets à haute température pour éviter tout risque d'incendie. Ne placez pas les meubles dans des environnements humides pour éviter tout dommage matériel.

Attention : Nettoyez les meubles avec un chiffon humide ou de l'alcool, évitez d'utiliser des produits de nettoyage contenant des produits chimiques corrosifs.

Attention : Ne laissez pas les enfants grimper sur les meubles car cela pourrait entraîner un basculement et des blessures graves. Assemblez les meubles hors de portée des enfants.

Attention : l'éponge et le chiffon peuvent être comprimés et déformés pendant le transport, ne vous inquiétez pas, après l'avoir sorti du sac, vous pouvez tapoter doucement l'éponge pour accélérer la récupération de l'élasticité, ou la laisser pendant quelques jours, elle peut retrouver son élasticité d'origine.

Attention : les tissus peuvent se décolorer ou changer de couleur en plein soleil. Réduisez l'exposition directe au soleil pour prolonger la durée de vie de vos meubles.



[IT]
Attenzione: leggere attentamente queste istruzioni prima di iniziare il montaggio. Verificare di avere tutti i componenti e gli strumenti elencati nelle pagine. Conservare le istruzioni per riferimento futuro. Alcune parti del montaggio saranno più facili con 2 persone. Se necessario, chiedere assistenza professionale.

Attenzione: posizionare tutte le parti su una superficie piana. Posizionare una coperta morbida o simile sotto per proteggere da graffi o macchie. Evitare di trascinare o far scivolare i componenti sul pavimento.

Attenzione: controllare regolarmente tutti i raccordi e i dispositivi di fissaggio per assicurarsi che siano sicuri e per prevenire incidenti. Se alcune parti sono mancanti, rotte, danneggiate o usurate, interrompere l'uso del prodotto fino a quando non siano state effettuate le riparazioni utilizzando parti autorizzate dalla fabbrica.

Attenzione: non posizionare i mobili vicino a fonti di fuoco o oggetti ad alta temperatura per evitare il rischio di incendio. Non posizionare i mobili in ambienti umidi per evitare danni materiali.

Attenzione: pulire i mobili con un panno umido o alcol, evitare di utilizzare detergenti contenenti sostanze chimiche corrosive.

Attenzione: non consentire ai bambini di arrampicarsi sui mobili poiché ciò potrebbe causare ribaltamenti e gravi lesioni personali. Montare i mobili lontano dalla portata dei bambini.

Attenzione: la spugna e il panno potrebbero schiacciarsi e deformarsi durante il trasporto, non preoccuparti, dopo averli tolti dalla borsa, puoi picchiettare delicatamente la spugna per accelerare il recupero dell'elasticità, oppure lasciarla per qualche giorno, in modo che possa recuperare la sua elasticità originale.

Attenzione: i tessuti possono sbiadire o cambiare colore alla luce solare diretta. Riduci al minimo l'esposizione alla luce solare diretta per prolungare la durata dei tuoi mobili.



[ES]

Advertencia: Lea estas instrucciones completamente antes de comenzar el montaje. Compruebe que tiene todos los componentes y herramientas que se enumeran en las páginas. Conserve las instrucciones para consultarlas más adelante. El montaje de algunas partes será más sencillo con 2 personas. Busque ayuda profesional si es necesario.

Advertencia: Coloque todas las piezas sobre una superficie plana. Coloque una manta suave o algo similar debajo para protegerlas de rayones o manchas. Evite arrastrar o deslizar los componentes por el piso.

Advertencia: Revise regularmente todos los accesorios y fijaciones para asegurarse de que estén seguros y evitar accidentes. Si falta alguna pieza, está rota, dañada o desgastada, deje de usar el producto hasta que se hayan realizado las reparaciones con piezas autorizadas de fábrica.

Advertencia: No coloque los muebles cerca de fuentes de fuego u objetos a alta temperatura para evitar el riesgo de incendio. No coloque los muebles en ambientes húmedos para evitar daños materiales.

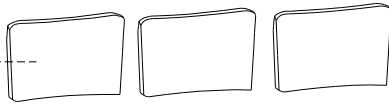
Advertencia: Limpie los muebles con un paño húmedo o alcohol, evite usar agentes de limpieza que contengan químicos corrosivos.

Advertencia: No permita que los niños se suban a los muebles ya que esto puede provocar que se vuelquen y lesiones personales graves. Monte los muebles fuera del alcance de los niños.

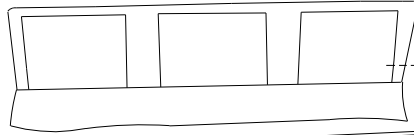
Advertencia: La esponja y el paño pueden apretarse y deformarse durante el transporte. No se preocupe, después de sacarlo de la bolsa, puede dar golpecitos suaves a la esponja para acelerar la recuperación de la elasticidad, o dejarlo unos días, puede recuperar su elasticidad original.

Advertencia: Las telas pueden desteñirse o cambiar de color con la luz solar directa. Minimice la exposición directa a la luz solar para prolongar la vida útil de sus muebles.

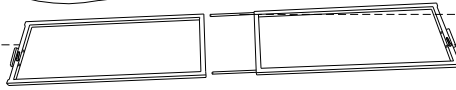
X



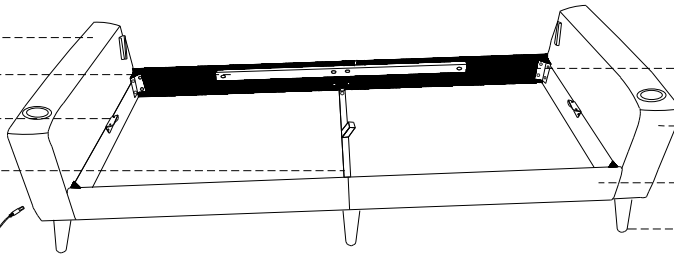
D



A



J



N

M

bd



C

K

I

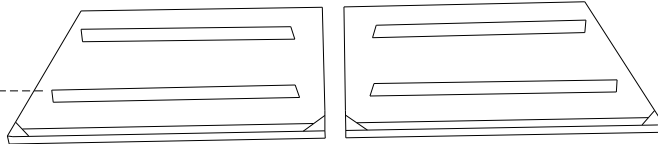
F

B

G

P

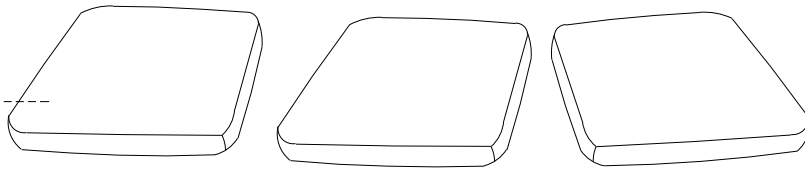
E



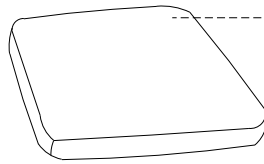
Z

O

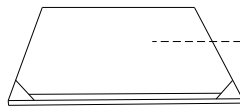
W



Y

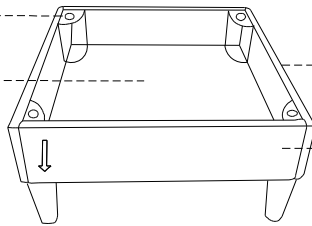


T



Q

U

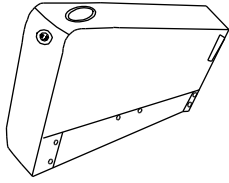


R

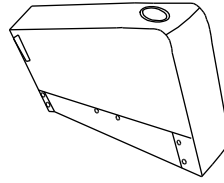
S

N605P247099/N625P251439

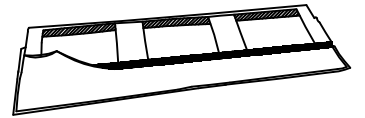
A*1



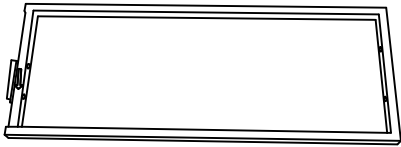
B*1



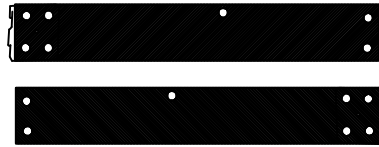
C*1



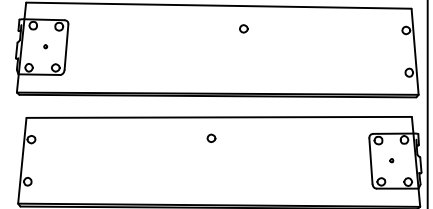
D*1



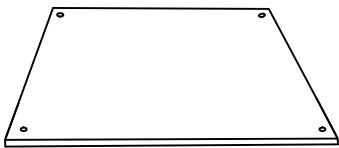
F*1



G*1



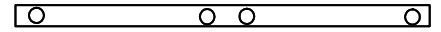
U*1



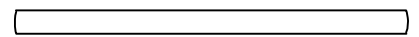
I*1



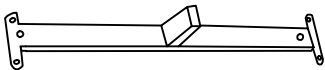
J*2



K*2



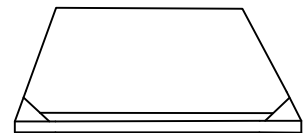
M*1



R*2



T*1



H*8



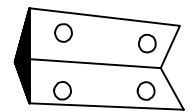
M6*16

L1*8



M6*40

N*2

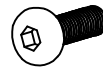


h*16



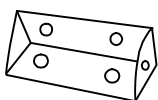
M6*18

L2*2

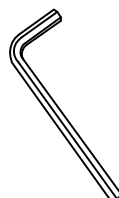


M6*35

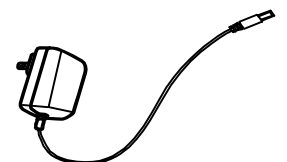
Q*4



V*1

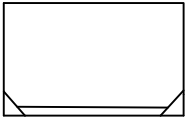


bd*1



N605P247100/N625P251440

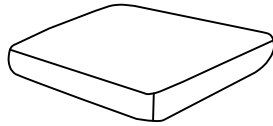
E*2



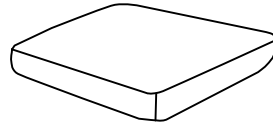
S*2



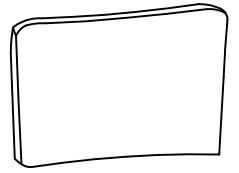
Y*1



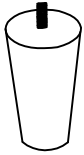
W *3



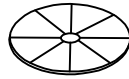
X*3



P*10



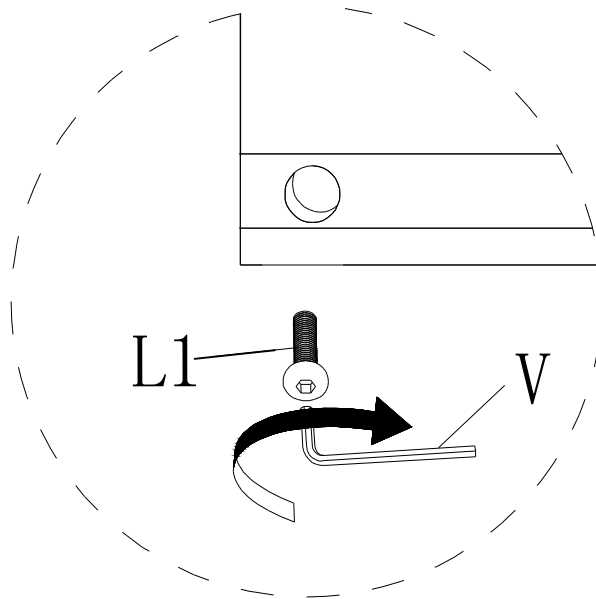
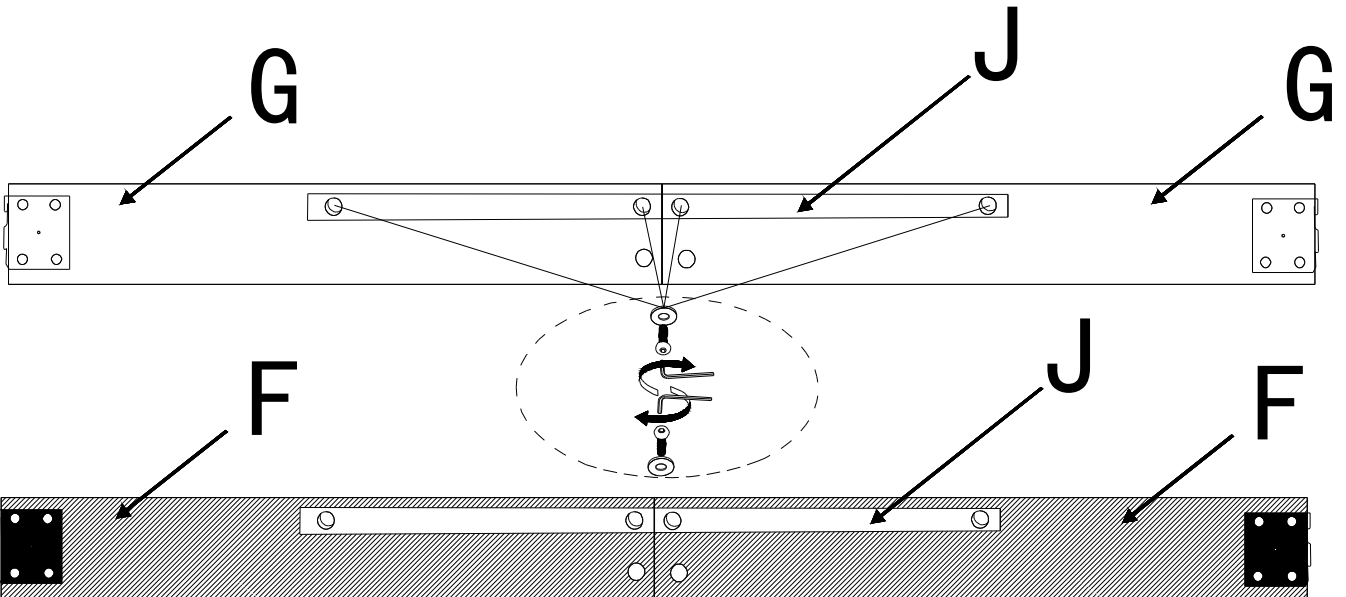
Z*10



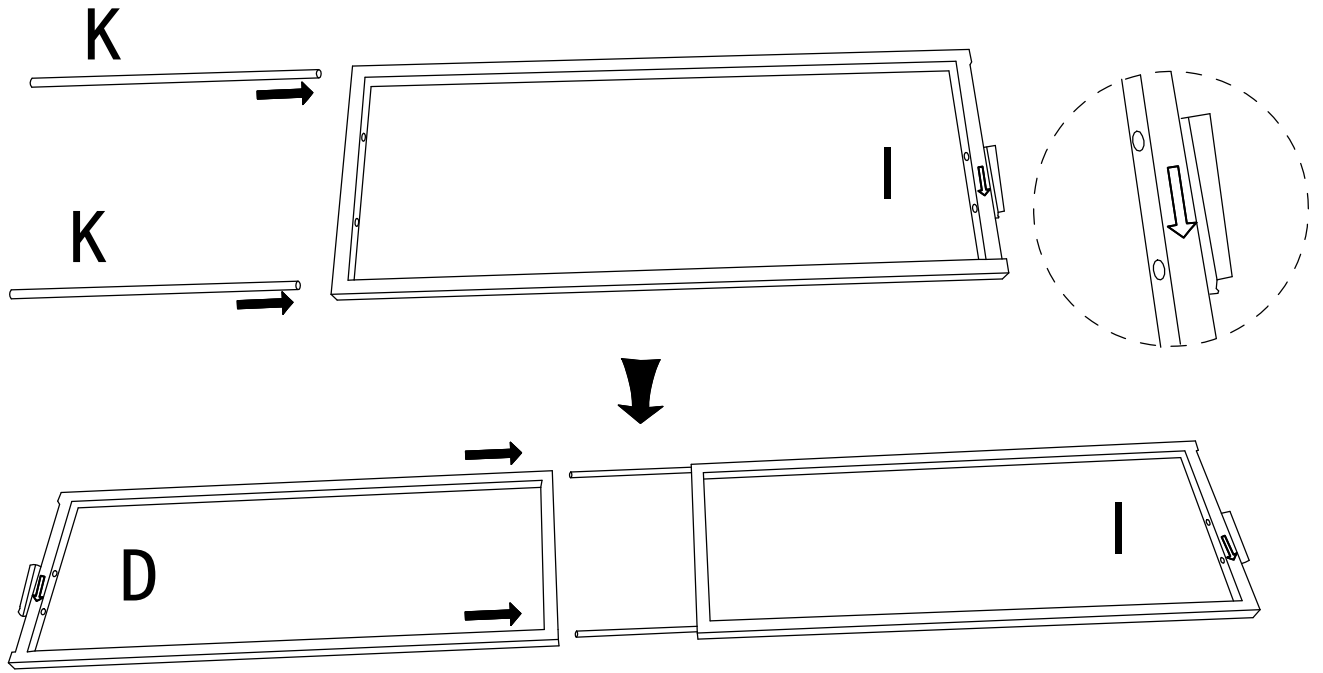
O* 10



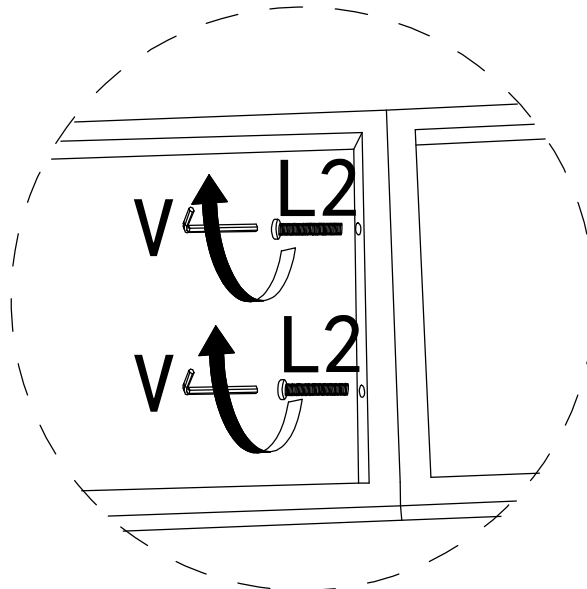
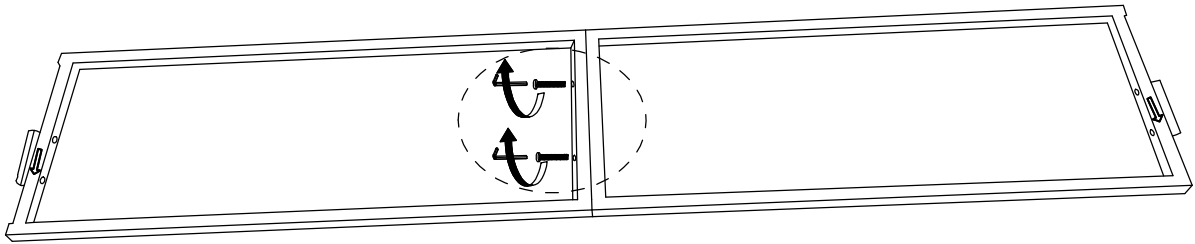
1



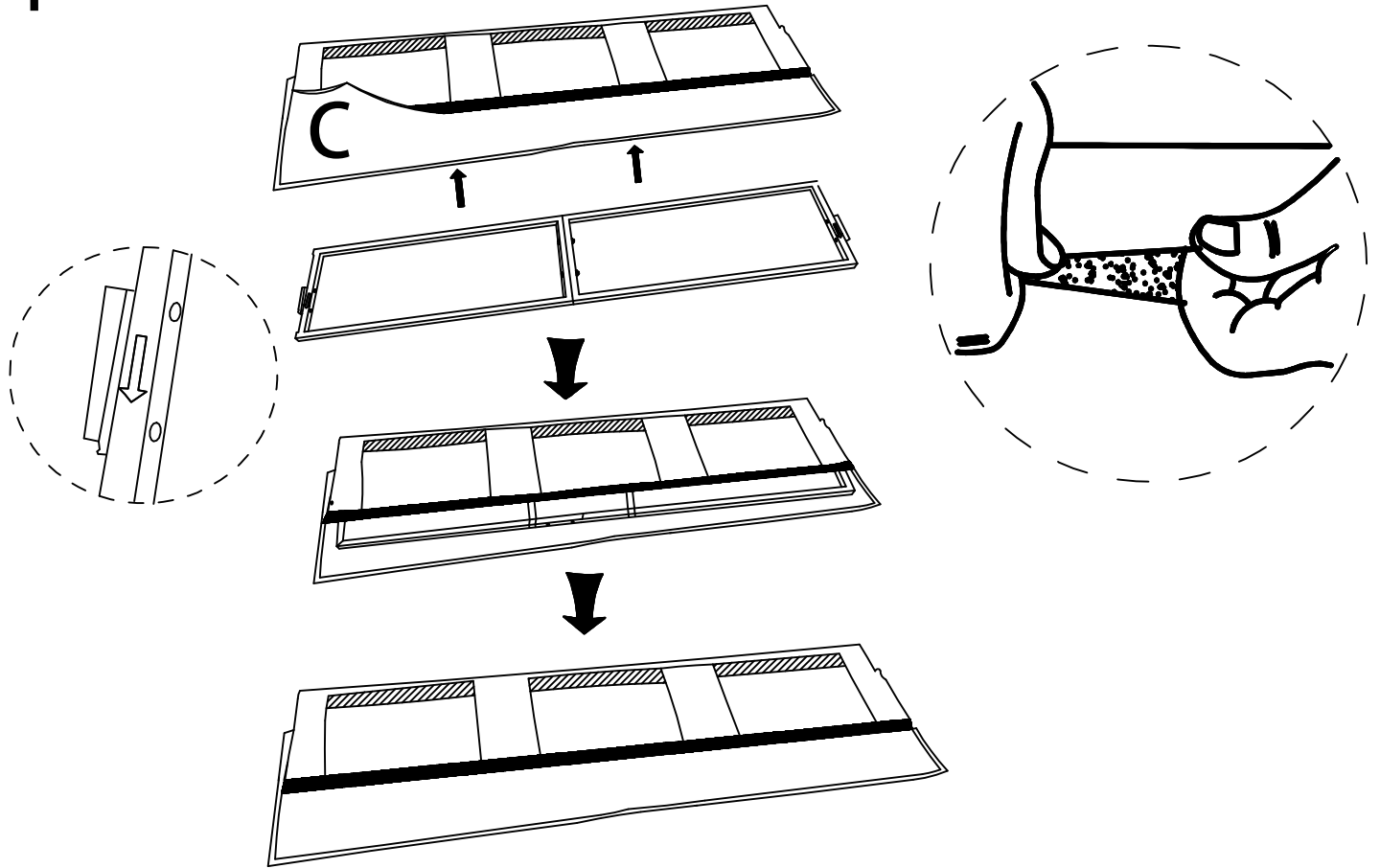
2



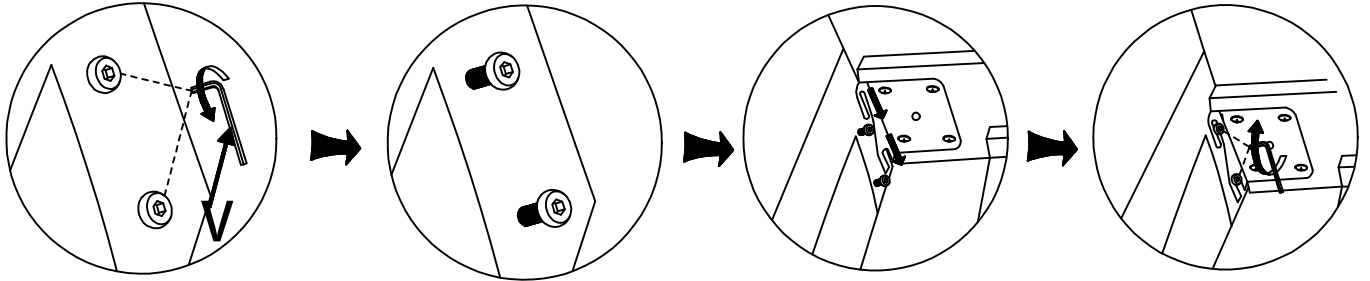
3



4

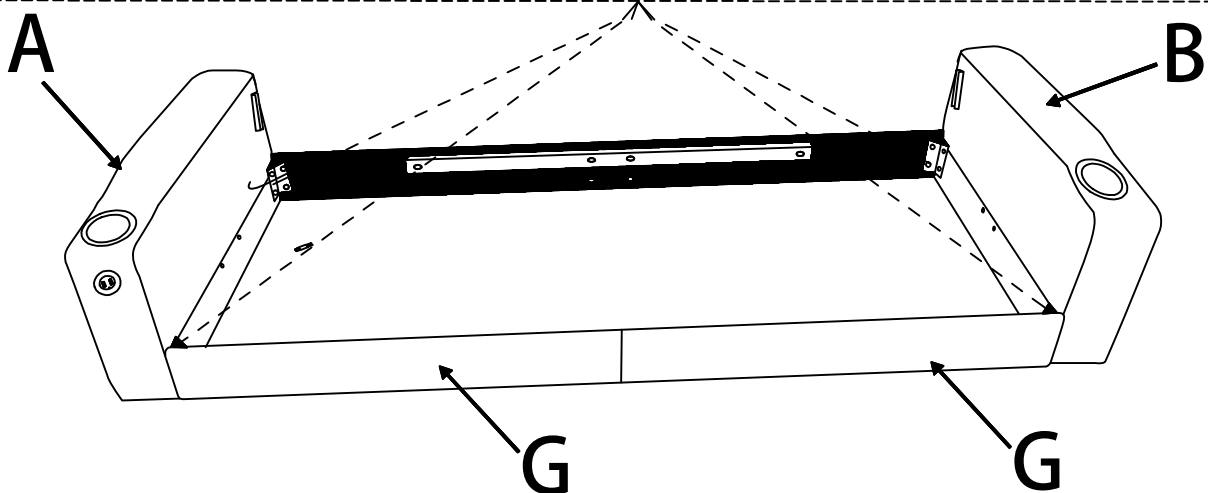


5

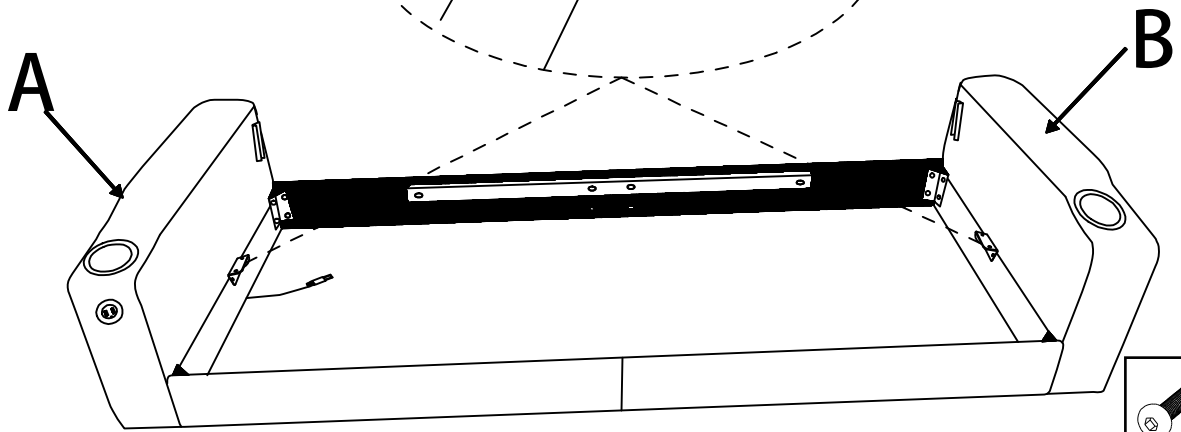


Lockern Sie die Schrauben
 Loosen the screws
 Allentare le viti
 Desserrez les vis
 Afloje los tornillos

100% Festziehen
 100% tightening
 100% serraggio
 Serrage à 100%
 Apriete al 100%

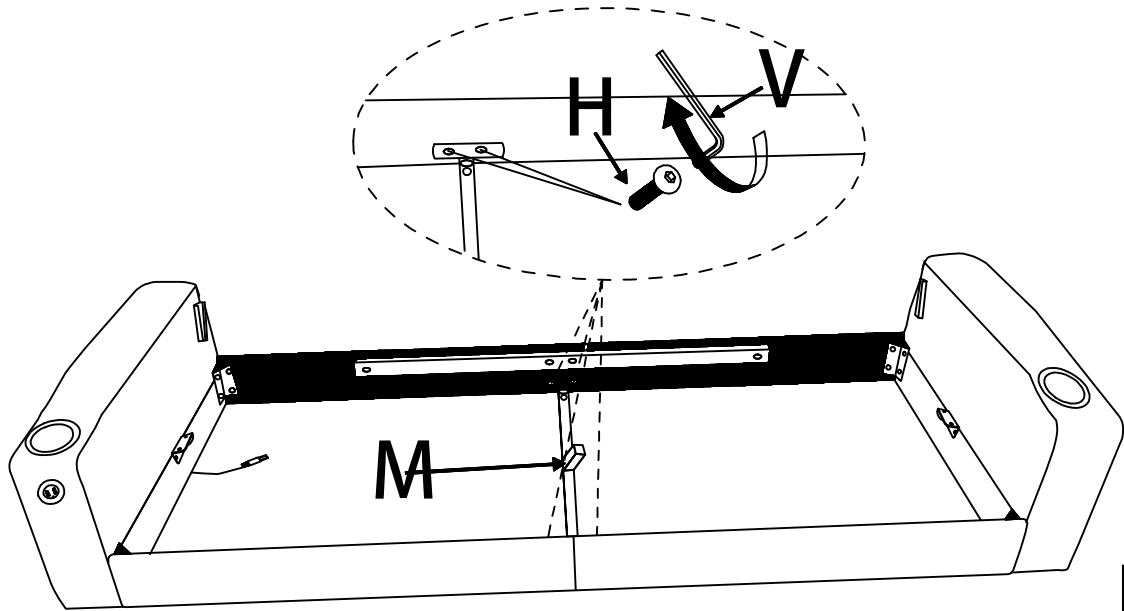


6



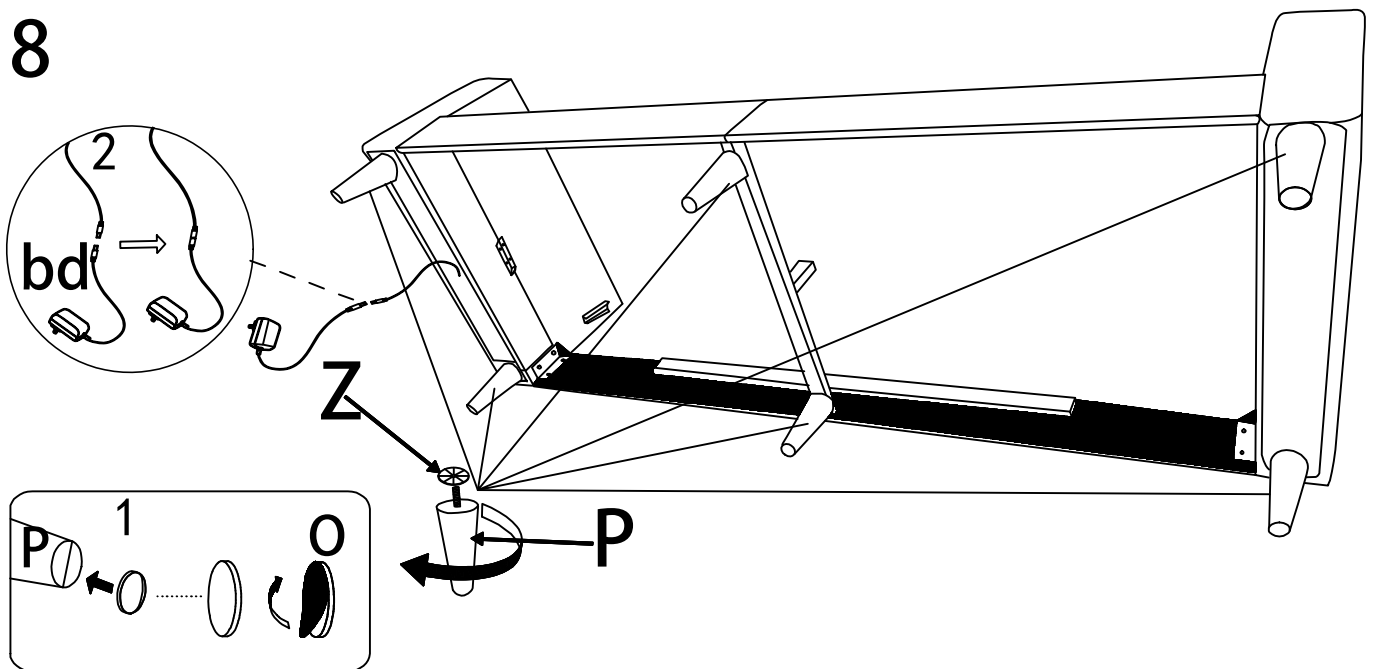
 H*4

7

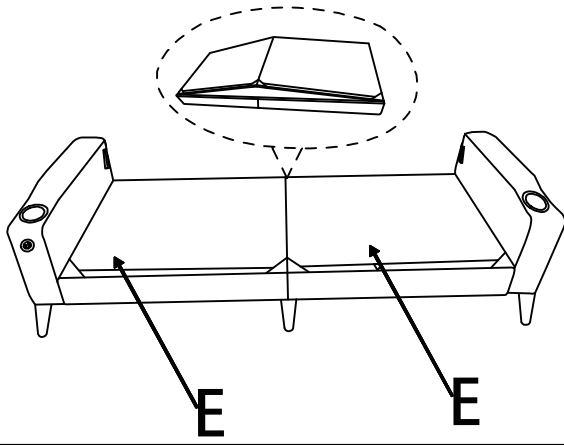


 H*4

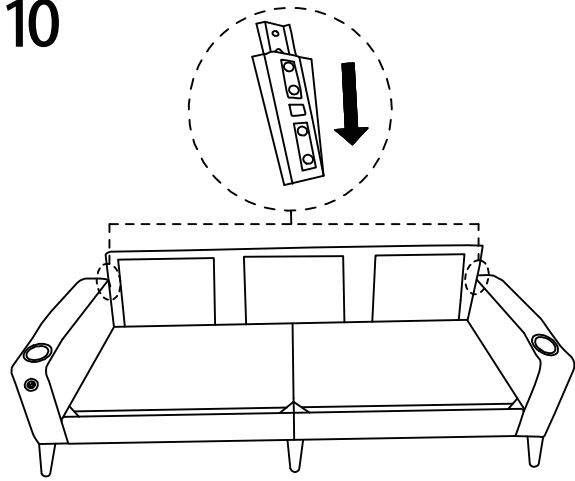
8



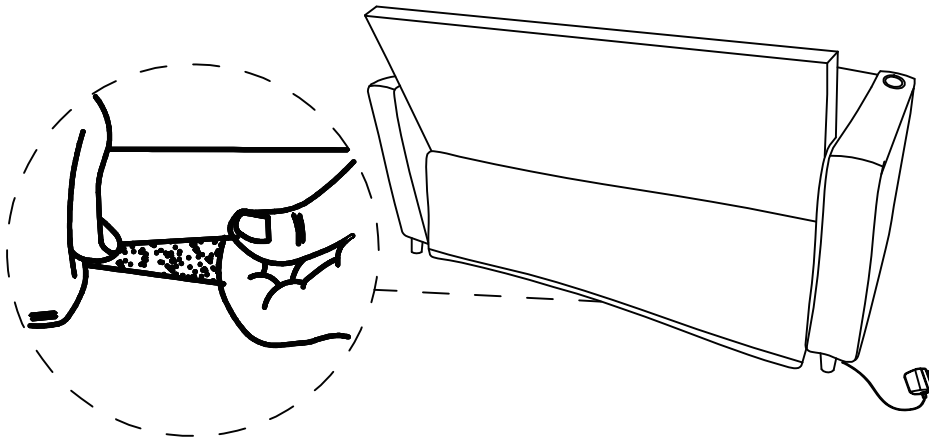
9



10



11



12

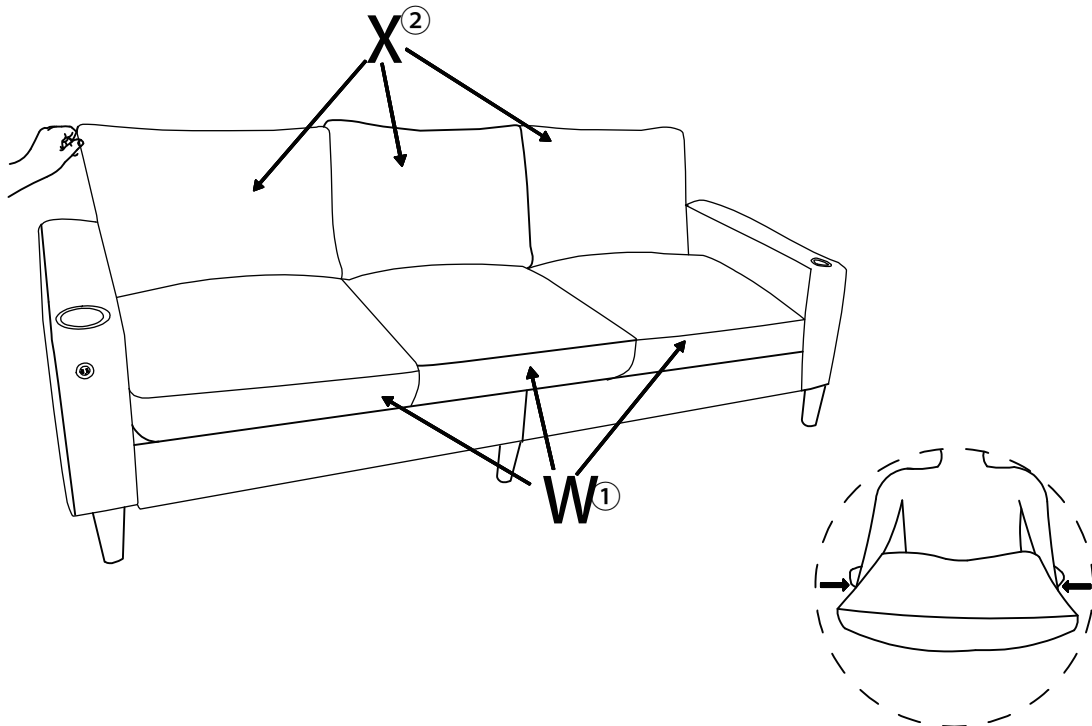
Take out the backpack and seat bag, and pat all four corners with your hand.

Nehmen Sie den Rucksack und die Sitztasche heraus und klopfen Sie mit Ihrer Hand alle vier Ecken ab.

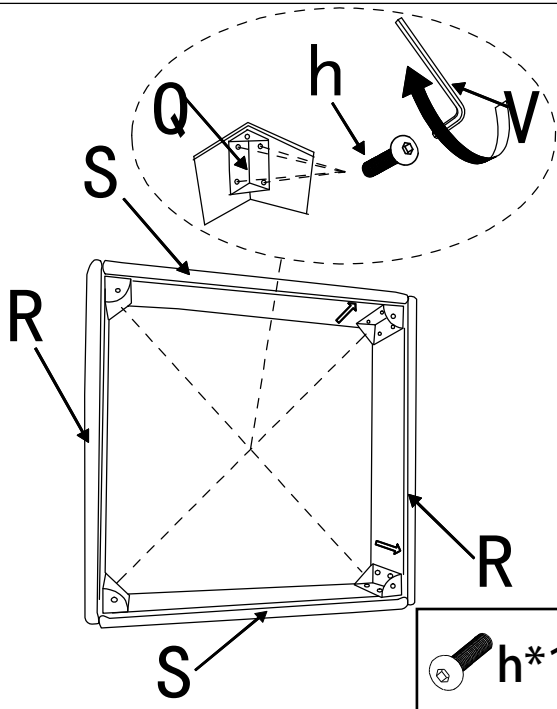
Tira fuori lo zaino e la borsa del sedile e batti con la mano tutti e quattro gli angoli.

Sortez le sac à dos et le sac de siège, et tapotez tous les quatre coins avec votre main.

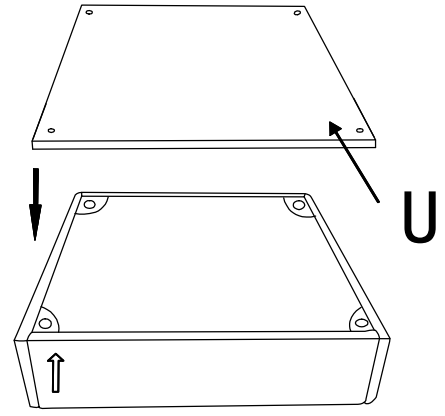
Saca la mochila y la bolsa del asiento, y golpea todos los cuatro rincones con tu mano.



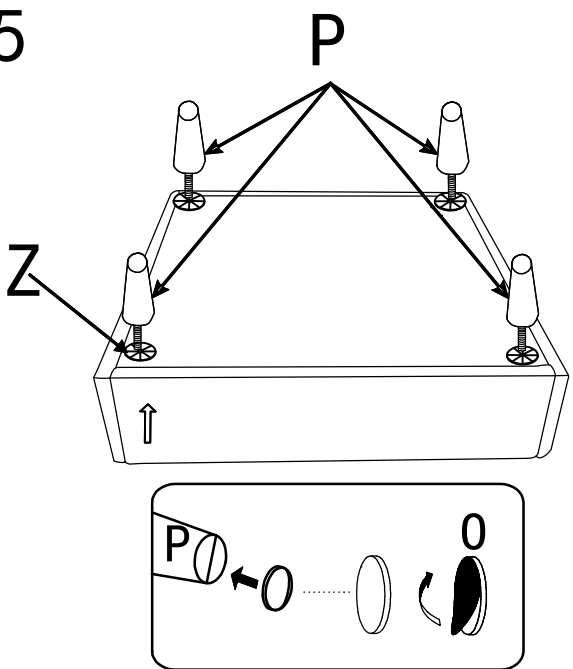
13



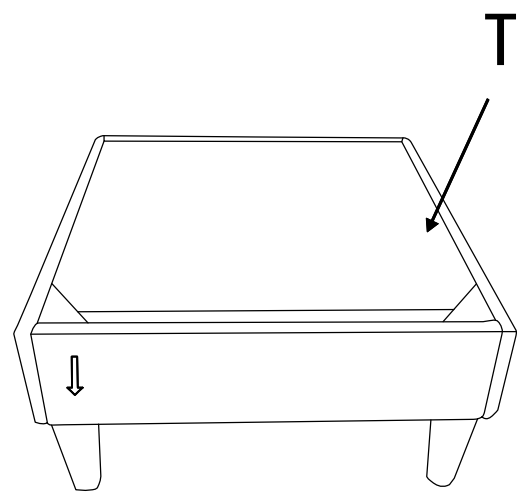
14



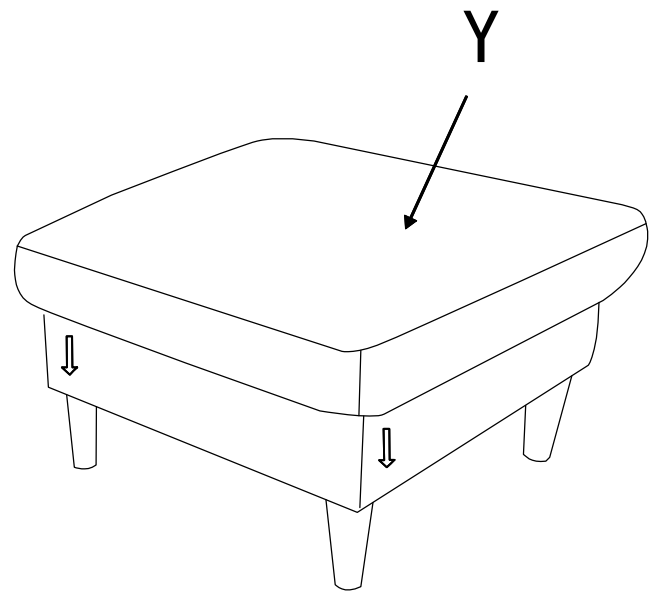
15



16



17





CERTIFICATE OF CONFORMITY

Electrical Equipment (Safety) Regulation 2016

This Certificate of Conformity is hereby issued to the product designated below:

Certificate No...... : 21SP12116L01
Report No...... : SP2112116L01
Date Issue. : 2022-01-21
Applicant's name : Huizhou Guoaotong Technology Co., Ltd
Address : 4F(plant E), 4F(Plant C), 4F&5F(plant B), 2 Runze Rd. Huinan South High-tech Industrial Park. Huiao Avenue. Huizhou, Guangdong, China
Manufacturer's name : Same as applicant
Address : Same as applicant
Product Description..... : POWER ADAPTER
Model(s)/Type References : GA-XXXYYYYW, GAT-XXXYYYYW
("XXX", "YYYY" and "W" are variables, see following page for details)
Parameters..... : Input: 100-240V~, 50/60Hz, 0.6A
Output: 3.0-24.0Vdc, 0100-2000mA, 12.0W Max.
Standard(s) : BS EN 62368-1:2014+A11:2017

On the basis of the referenced test report(s), sample(s) tested of the above product have been found to comply with the standards harmonized with the directives listed on this verification at the time the tests were carried out. Other standards and Directives may be relevant to the product. This verification is part of the full test report(s) and should be read in conjunction with it(them).

Once compliance with all product relevant CE mark directives are verified, including any relevant e.g. risk assessment and production control, the manufacturer may indicate compliance by signing a Declaration of Conformity themselves and applying the mark to products identical to the tested sample(s).

Approved By


Eric Liu
Director of engineering department



CERTIFICATE OF CONFORMITY

Electrical Equipment (Safety) Regulation 2016

Appendix of Certificate No.: 21SP12116L01

Table A: Definition of variables

Variable:	Range of variable:	Content:
XXX	030-240	Which stands for the rated output Voltage from 3.0Vdc to 24.0Vdc, minimum step by 0.1 Vdc.
YYYY	0100-2000	Which stands for the rated output current from 100mA to 2000mA, minimum step by 100mA.
W	V, Y	"V" "Y" means UK plug

Table B: Model list and output rating

Model	Rated output voltage (VDC)	Rated output current (mA)	Max. rated output power (W)	Transformer (T1)
GA-XXXYYYYW, GAT-XXXYYYYW	3.0-5.0	0100-2000	10.0	EF15-5V
	5.1-12.0	0100-1000	12.0	EF15-12V
	12.1-24.0	0100-1000	12.0	EF15-24V



DongGuan PuBiao Testing Technology Co., Ltd

No. 3, First Floor, Building A, No.30, Minghua Road, Juzhou village, Shijie Town, Dongguan City Guangdong China

Tel: +86 769 81813516 E-mail: service@pubiaotest.com Web: www.pubiaotest.com

Certificate of Conformity

Certificate No. : HTT202405689E
Applicant : Zhongshan Jin Kai Sheng Tech. Co., LTD.
Applicant Address : 4th floor, No.8 South Guang Ming Road, Nan Tou Town,
Zhongshan, Guangdong, P.R.C
Manufacturer : Zhongshan Jin Kai Sheng Tech. Co., LTD.
Manufacturer Address : 4th floor, No.8 South Guang Ming Road, Nan Tou Town,
Zhongshan, Guangdong, P.R.C
Product : Built in 3 ports mini desk power grommet
JKS-P03-G001, JKS-P03-X* series
P03:PBCA type code =P03
Model No. : X=A/B/C/D/E/F/G/H/I/J/K/L/M/N/O/P/Q/R/S/T/U/V/W/X/Y/Z,
denotes for different overview
*, design serial number-3 characters;
*=001 to 999 denotes for different decoration of the product
Trademark : N/A

The following products have been tested by us with listed standards and found in compliance with the council EMC 2014/30/EU. It is possible to use CE marking to demonstrate the compliance with the EMC directive

Test standards:	Report(s) Number	Issued By	Issued Date
EN 55032:2015+A1:2020 EN 55035: 2017+A11:2020 EN IEC 61000-3-2: 2019 +A1:2021 EN 61000-3-3:2013+A2:2021+AC:2022	HTT202405689ER	HTT	Jun. 05, 2024

This certificate of conformity is not transferable and based on an evaluation of a sample of the above mentioned product.



Authorised Signatory:

Kevin Yang

KevinYang/Senior Manager



Date:

Jun. 05, 2024



CERTIFICATE OF CONFORMITY

Low Voltage Directive 2014/35/EU

This Certificate of Conformity is hereby issued to the product designated below:

Certificate No...... : 24SP01101L01
Report No...... : SP2401101L01
Date Issue. : 2024-04-26
Applicant's name : Guangdong Sangu Technology Co., Ltd
Address : 402, Chuangye building, 8-28, Shaqi community Central Road, Xinqiao street, Bao'an District, Shenzhen.
Manufacturer's name : Guangdong Sangu Technology Co., Ltd
Address : 402, Chuangye building, 8-28, Shaqi community Central Road, Xinqiao street, Bao'an District, Shenzhen.
Product Description..... : POWER ADAPTER
Model(s)/Type References : SG-050yyyyz, GA-050yyyyz, GAT-050yyyyz, HZ-050yyyyz,
SG-050yyyyAz, GA-050yyyyAz, GAT-050yyyyAz, HZ-050yyyyAz,
SG-050yyyyAzC, GA-050yyyyAzC, GAT-050yyyyAzC, HZ-050yyyyAzC,
SG-xxxyyyy12Az (xxx, yyyy, z are variables, see table A for details)
Parameters..... : Input: 100-240V~, 50/60Hz, 0.3A Max. (For models SG-050yyyyz,
GA-050yyyyz, GAT-050yyyyz, HZ-050yyyyz, SG-050yyyyAz,
GA-050yyyyAz, GAT-050yyyyAz, HZ-050yyyyAz, SG-050yyyyAzC,
GA-050yyyyAzC, GAT-050yyyyAzC, HZ-050yyyyAzC)
Input: 100-240V~, 50/60Hz, 0.6A Max. (For models SG-xxxyyyy12Az)
Output: See table B for details
Standard(s) : EN IEC 62368-1:2020/A11:2020

On the basis of the referenced test report(s), sample(s) tested of the above product have been found to comply with the standards harmonized with the directives listed on this verification at the time the tests were carried out. Other standards and Directives may be relevant to the product. This verification is part of the full test report(s) and should be read in conjunction with it(them).

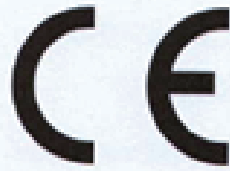
Once compliance with all product relevant CE mark directives are verified, including any relevant e.g. risk assessment and production control, the manufacturer may indicate compliance by signing a Declaration of Conformity themselves and applying the mark to products identical to the tested sample(s)

Approved By

Eric Liu

Director of engineering department





CERTIFICATE OF CONFORMITY

Low Voltage Directive 2014/35/EU

Appendix of Certificate No.: 24SP01101L01

Model Description:

Table A: Definition of variables

Variable	Range of variable	Content
xxx	050-240	3 digits, indicates 10 times of output voltage in V and in step of 0.1V. eg. 050=5.0V, 240=24.0V.
yyyy	0100-2100	4 digits, indicates 1000 times of output current in A and in step of 0.01A. eg. 0100=0.1A, 2100=2.1A.
z	E, B	One capital letter representing the plug type for different countries. E represents European plug and Russian plug; B represents British plug.





CERTIFICATE OF CONFORMITY

Low Voltage Directive 2014/35/EU

Appendix of Certificate No.: 24SP01101L01

Table B: Model list and output ratings:

Model	Output voltage (Vdc)	Output current (A)	Max Power (W)	Transformer
SG-050yyyyz, GA-050yyyyz, GAT-050yyyyz, HZ-050yyyyz, SG-050yyyyAz, GA-050yyyyAz, GAT-050yyyyAz, HZ-050yyyyAz, SG-050yyyyAzC, GA-050yyyyAzC, GAT-050yyyyAzC, HZ-050yyyyAzC	5.0	0.10-2.0	10.0	EF1510
SG-xxxxyyy12Az	5.0-5.5	0.10-2.1	11.55	EF1510-1
	5.6-12.0	0.10-2.0	12.00	
	12.1-24.0	0.10-1.0	12.00	

Remark:

- 1) The rated output voltage is rising from 5.0V and in steps of 0.1V.
- 2) The rated output current is rising from 0.1A and in steps of 0.01A, but not more than the indicated max o/p current.
- 3) Actual output current depends on range of output voltage. The max. Output current multiplied by output voltage cannot exceed the max. Output power



DongGuan PuBiao Testing Technology Co., Ltd

No. 3, 1/F., Building A, No.30, Minghua Road, Juzhou, Shijie, Dongguan, Guangdong, China.

Tel: +86 769 81813516 E-mail: service@pubiaotest.com Web: www.pubiaotest.com



CERTIFICATE OF CONFORMITY

Electromagnetic Compatibility (EMC) Directive 2014/30/EU

This Certificate of Conformity is hereby issued to the product designated below:

Certificate No...... : 24EP01101E01
Report No...... : EP2401101E01
Date Issue...... : 2024-04-28
Applicant's name..... : Guangdong Sangu Technology Co., Ltd
Address..... : 402, Chuangye building, 8-28, Shaqi community Central Road, Xinqiao street, Bao'an District, Shenzhen.
Manufacturer's name..... : Guangdong Sangu Technology Co., Ltd
Address..... : 402, Chuangye building, 8-28, Shaqi community Central Road, Xinqiao street, Bao'an District, Shenzhen.
Product Description..... : POWER ADAPTER
Model(s)/Type References : SG-050yyyyz, GA-050yyyyz, GAT-050yyyyz, HZ-050yyyyz,
SG-050yyyyAz, GA-050yyyyAz, GAT-050yyyyAz, HZ-050yyyyAz,
SG-050yyyyAzC, GA-050yyyyAzC, GAT-050yyyyAzC, HZ-050yyyyAzC,
SG-xxxxxyy12Az (xxx, yyyy, z are variables, appendix for details)
Parameters..... : See appendix for details
Standard(s)..... : EN 55032:2015+A11:2020+A1:2020
EN 55035:2017+A11:2020
EN IEC 61000-3-2:2019+A1:2021
EN 61000-3-3:2013+A1:2019+A2:2021

On the basis of the referenced test report(s), sample(s) tested of the above product have been found to comply with the standards harmonized with the directives listed on this verification at the time the tests were carried out. Other standards and Directives may be relevant to the product. This verification is part of the full test report(s) and should be read in conjunction with it(them).

Once compliance with all product relevant CE mark directives are verified, including any relevant e.g. risk assessment and production control, the manufacturer may indicate compliance by signing a Declaration of Conformity themselves and applying the mark to products identical to the tested sample(s).

Approved By

Eric Liu
Director of engineering department



CERTIFICATE OF CONFORMITY

Electromagnetic Compatibility (EMC) Directive 2014/30/EU

Appendix of Certificate No.: 24EP01101E01

Table A: Definition of variables

Variable	Range of variable	Content
xxx	050-240	3 digits, indicates 10 times of output voltage in V and in step of 0.1V. eg. 050=5.0V, 240=24.0V.
yyyy	0100-2100	4 digits, indicates 1000 times of output current in A and in step of 0.01A. eg. 0100=0.1A, 2100=2.1A.
z	E, B	One capital letter representing the plug type for different countries. E represents European plug and Russian plug; B represents British plug.

Table B: Model list and input / output ratings

Model	Rated input	Rated output			Transformer
		Voltage range (VDC)	Current range (A)	Max. Power (W)	
SG-050yyyyz, GA-050yyyyz, GAT-050yyyyz, HZ-050yyyyz, SG-050yyyyAz, GA-050yyyyAz, GAT-050yyyyAz, HZ-050yyyyAz, SG-050yyyyAzC, GA-050yyyyAzC, GAT-050yyyyAzC, HZ-050yyyyAzC,	100-240V~, 50/60Hz, 0.3A Max.	5.0	0.1-2.0	10.0	EF1510
SG-xxxxyyy12Az	100-240V~, 50/60Hz, 0.6A Max.	5.0-5.5 5.6-12.0 12.1-24.0	0.10-2.1 0.10-2.0 0.10-1.0	11.55 12.00 32.00	EF1510-1



Dongguan Pubiao Testing Technology Co., Ltd

No. 3, 1/F., Building A, No.30, Minghua Road, Juzhou, Shijie, Dongguan, Guangdong, China

Tel: +86 769 81813516 E-mail: service@pubiaotest.com Web: www.pubiaotest.com